

BALDOR® • RELIANCE®

Customer information packet 1408W

5HP, 1500/1800RPM, 3PH, 50/60HZ, 3735M, GRND

Specifications

Frequency	50.00 Hz
	60.00 Hz
Nameplate Output	5
Number of Poles	4
Phase	3
Product Style	GRINDER
Speed	1500 rpm
	1800 rpm
Voltage	575 V

Part detail

Revision	X
Type	AC
Mech. spec.	G14-116
Base	
Status	PRD/A
Elec. spec.	G4WG0047
Layout	G4LY0116
Eff. date	02-11-2022
CD Diagram	CD0252
Poles	04
Leads	3#14
Proprietary	False
Created date	01-01-0001

Nameplate

NP3412L			
CAT.NO.	1408W		
HP	5	VOLTS	575
PHASE	3	AMPS	5.5
HZ	50//60	RPM	1500//1800
SER.NO			
SPEC.	G14-116D-0047		
BLANK			

Accessories

Part number	Description	Multiplier
GA20	PEDESTAL INDUSTRIAL, CAST IRON 8"-14"	A8
GA9	PAIR LIGHTED EYESHIELDS	A8
GA9-1	SINGLE LIGHTED EYESHIELD	A8
GA9S	PAIR EYESHIELDS W/ ON-OFF SWITCH	A8
GA11	PAIR EYESHIELDS	A8
B147	14" 30 GRIT GRINDING WHEEL	A8
B148	14" 46 GRIT GRINDING WHEEL	A8
DC14-3	DUST CONTROL FOR 14 IN GRINDER	A8

AC Induction Motor Performance Data

Record # 16695

Typical performance - not guaranteed values

Winding: G4WG0047-R001		Type: 3735M		Enclosure: TENV	
Nameplate Data			575 V, 50 Hz: Single Voltage Motor		
Rated Output (HP)	5	Full Load Torque	18.1 LB-FT		
Volts	575	Start Configuration	direct on line		
Full Load Amps	5.5	Breakdown Torque	73.1 LB-FT		
R.P.M.	1500//1800	Pull-up Torque	40 LB-FT		
Hz	50//60	Locked-rotor Torque	44 LB-FT		
NEMA Design Code	B	KVA Code	H	Starting Current	37.6 A
Service Factor (S.F.)	1	No-load Current	2.61 A		
NEMA Nom. Eff.	0	Power Factor	0	Line-line Res. @ 25°C	3.55 Ω
Rating - Duty	40C AMB-CONT		Temp. Rise @ Rated Load		
		Locked-rotor Power Factor	47		
		Rotor inertia	0.74 LB-FT ²		

Load Characteristics 575 V, 50 Hz, 5 HP

% of Rated Load	25	50	75	100	125	150
Power Factor	43	64	76	83	86	88
Efficiency	75.6	84.1	86.6	87.2	87.1	86.4
Speed	1489	1478	1467	1456	1443	1430
Line amperes	2.89	3.47	4.26	5.2	6.24	7.37

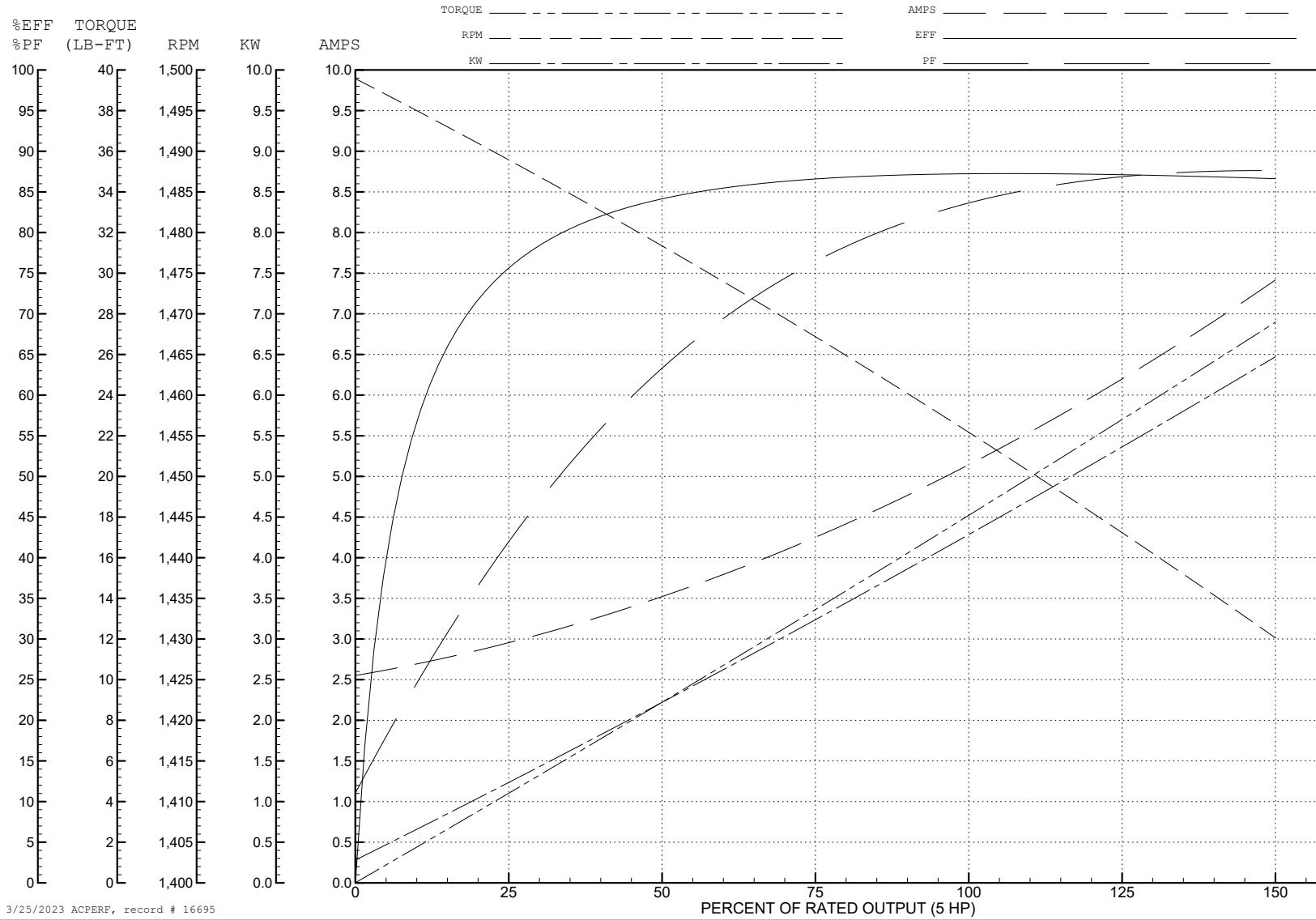
ABB Motors and Mechanical Inc.

WINDING # G4WG0047

5 HP 3 PH 50 HZ 1456 RPM 575 V 3735M

Typical performance - not guaranteed values.

TORQUES (LB-FT): PO=73.1 PU=40 LR=44 LRA=37.6



3/25/2023 ACPERF, record # 16695

AC Induction Motor Performance Data

Record # 16697

Typical performance - not guaranteed values

Winding: G4WG0047-R001		Type: 3735M		Enclosure: TENV	
Nameplate Data			575 V, 60 Hz: Single Voltage Motor		
Rated Output (HP)	5	Full Load Torque	15.1 LB-FT		
Volts	575	Start Configuration	direct on line		
Full Load Amps	5.5	Breakdown Torque	51.1 LB-FT		
R.P.M.	1500//1800	Pull-up Torque	23 LB-FT		
Hz	50//60	Locked-rotor Torque	26.4 LB-FT		
NEMA Design Code	B	KVA Code	H	Starting Current	31.3 A
Service Factor (S.F.)	1	No-load Current	1.92 A		
NEMA Nom. Eff.	0	Power Factor	0	Line-line Res. @ 25°C	3.55 Ω
Rating - Duty	40C AMB-CONT		Temp. Rise @ Rated Load		
		Locked-rotor Power Factor	40		
		Rotor inertia	0.74 LB-FT ²		

Load Characteristics 575 V, 60 Hz, 5 HP

% of Rated Load	25	50	75	100	125	150
Power Factor	54	74	83	87	89	90
Efficiency	77.4	85.2	87.4	87.8	87.5	86.7
Speed	1786	1774	1761	1747	1731	1715
Line amperes	2.27	2.97	3.87	4.88	5.98	7.18

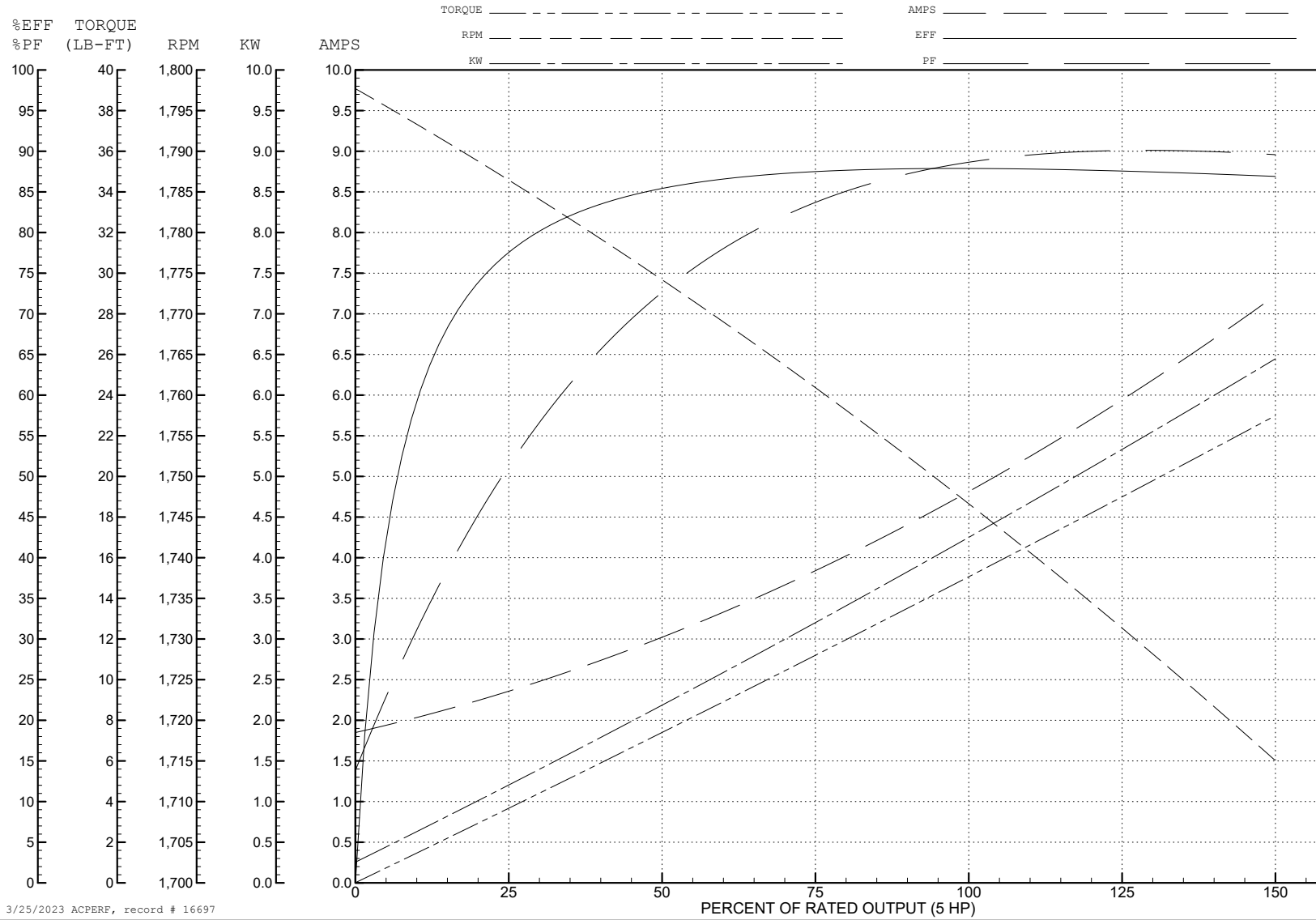
ABB Motors and Mechanical Inc.

WINDING # G4WG0047

5 HP 3 PH 60 HZ 1747 RPM 575 V 3735M

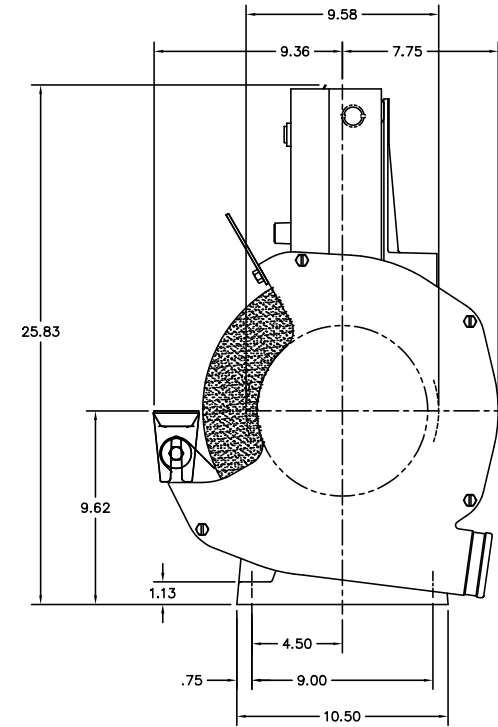
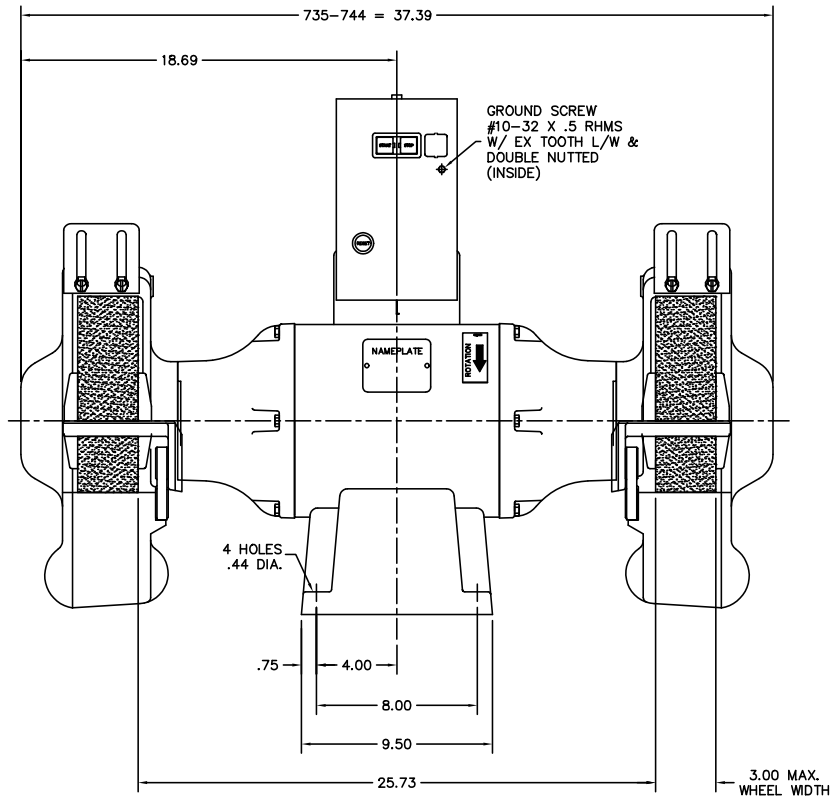
Typical performance - not guaranteed values.

TORQUES (LB-FT): PO=51.1 PU=23 LR=26.4 LRA=31.3



3/25/2023 ACPERF, record # 16697

G4LY0116

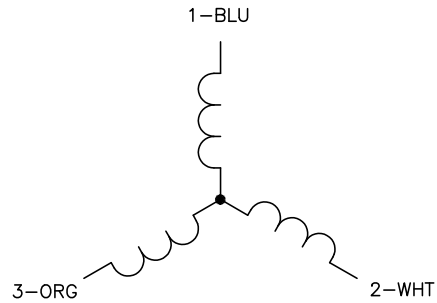


CUST. NAME		CUST. P.O.		CERTIFIED BY		MODEL		INSUL	AMB
H.P.	MTG	TYPE	R.P.M.	VOLTS		ENCL	PHASE	FREQ	FRAME
REV. DESC: MOVED STARTER BOX TO CENTER OF MOTOR						BALDOR ELECTRIC Co.			
REV. LTR: A	BY: JD	REVISED: 01/07/00 1:55	TDR: 0199019						
FILE: AAA00066297			MDL: -						
MTL: -						STD 14" GRINDER 37 W/REAR EXHAUST & 'GE' MAGNETIC STARTER			

G4LY0116

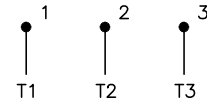
CD0252

MOTOR



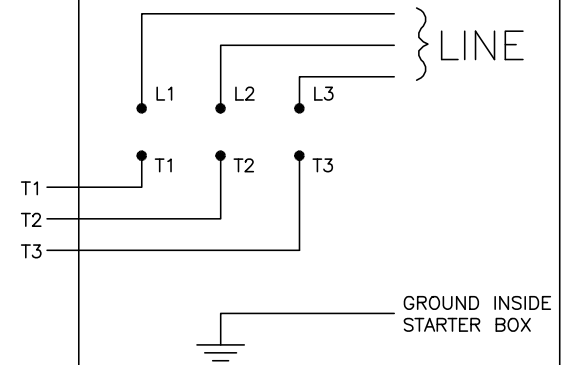
- NOTES:
1. GROUND BASE TO BAND.
 2. LEAD COLORS ARE OPTIONAL. LEADS MUST ALWAYS BE NUMBERED AS SHOWN.

STARTER BRACKET CONDUIT BOX



NOTE:
THE MOTOR VOLTAGE IS MATCHED TO THE MAGNETIC STARTER.

STARTER



NOTE:
INTERCHANGE ANY TWO LINE LEADS TO REVERSE ROTATION.

CD0252

REV. DESC: REVISE TO SHOW OPTIONAL COLORS			
REV. LTR: B	BY: EAH	REVISED: 05/05/99 10:02	TDR: 0179909
Z9Z0C0		FILE: AAA00051767	MDL: -
		MTL: -	

BALDOR ELECTRIC Co.

3PH, SV, 3 LEAD, GRINDER OR BUFFER W/MAGNETIC STARTER

