

BALDOR • RELIANCE

Customer information packet

1407W

7.5HP, 1500/1800RPM, 3PH, 50/60HZ, 3744M

Specifications

Frequency	50.00 Hz
	60.00 Hz
Nameplate Output	7.5
Number of Poles	4
Phase	3
Product Style	GRINDER
Speed	1500 rpm
	1800 rpm
Voltage	208 V
	230 V
	460 V

Part detail

Revision	AA
Type	AC
Mech. spec.	G14-116
Base	
Status	PRD/A
Elec. spec.	G4WG0037
Layout	G4LY0116
Eff. date	02-11-2022
CD Diagram	CD0258
Poles	04
Leads	9#14
Proprietary	False
Created date	01-01-0001

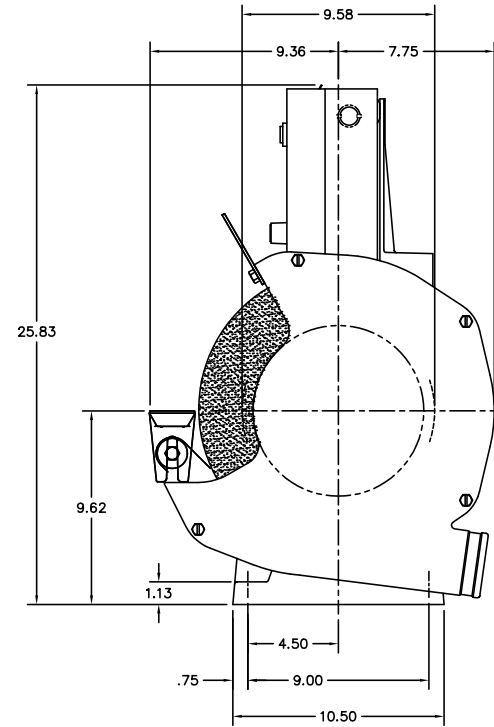
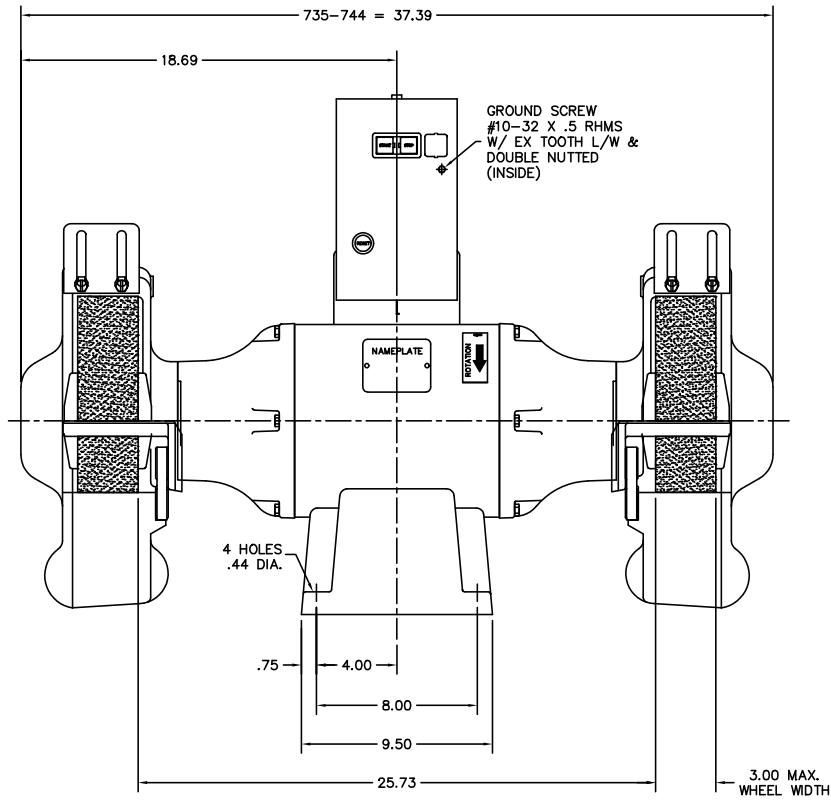
Nameplate

NP3412L			
CAT.NO.	1407W		
HP	7.5	VOLTS	230
PHASE	3	AMPS	20
HZ	50//60	RPM	1500//1800
SER.NO			
SPEC.	G14-116B-0037G1		
BLANK			

Accessories

Part number	Description	Multiplier
GA20	PEDESTAL INDUSTRIAL, CAST IRON 8"-14"	A8
GA9	PAIR LIGHTED EYESHIELDS	A8
GA9-1	SINGLE LIGHTED EYESHIELD	A8
GA9S	PAIR EYESHIELDS W/ ON-OFF SWITCH	A8
GA11	PAIR EYESHIELDS	A8
B147	14" 30 GRIT GRINDING WHEEL	A8
B148	14" 46 GRIT GRINDING WHEEL	A8
DC14-3	DUST CONTROL FOR 14 IN GRINDER	A8

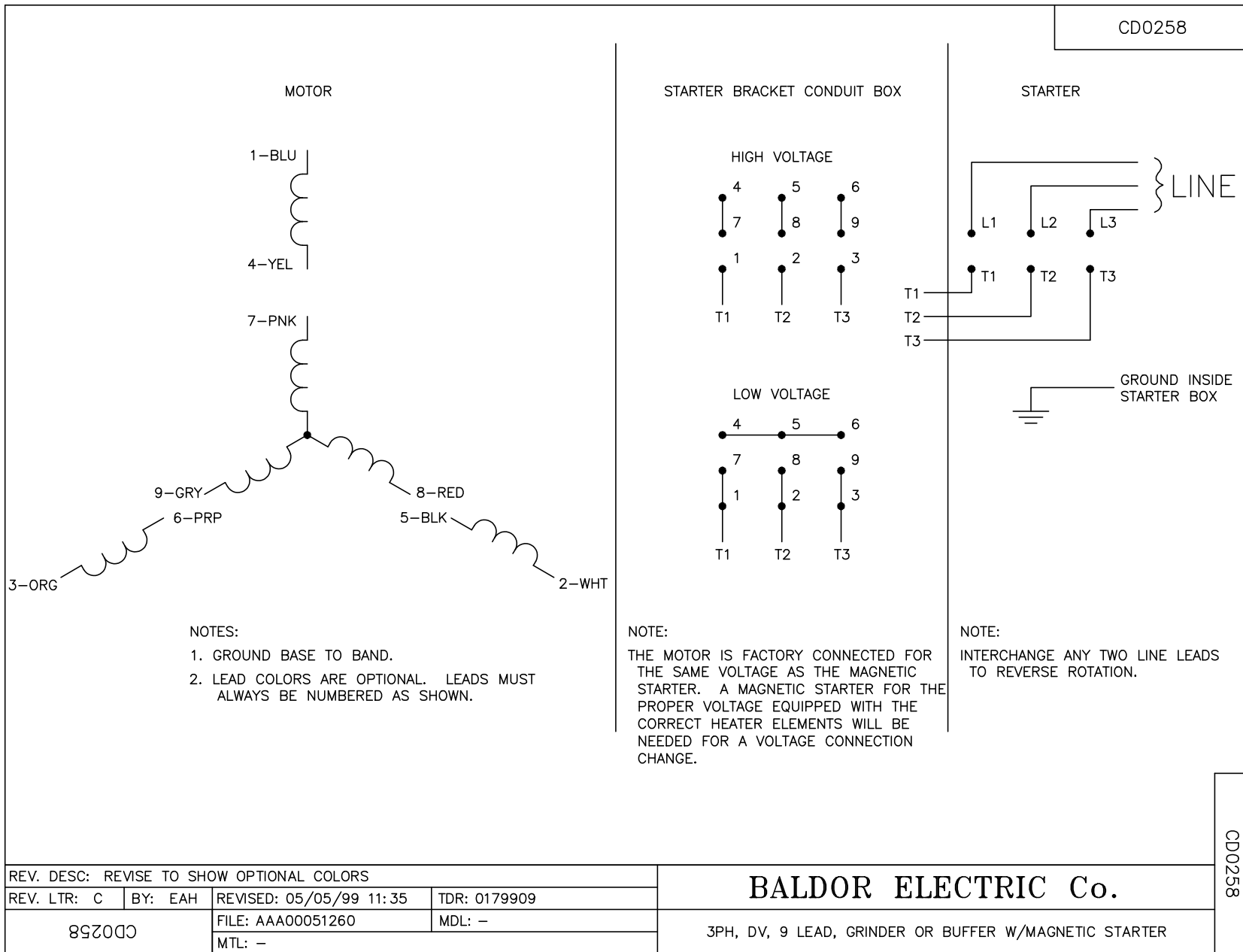
G4LY0116



CUST. NAME		CUST. P.O.		CERTIFIED BY		MODEL		INSUL		AMB	
H.P.	MTG	TYPE	R.P.M.	VOLTS		ENCL	PHASE	FREQ	FRAME		
REV. DESC: MOVED STARTER BOX TO CENTER OF MOTOR						BALDOR ELECTRIC Co.					
REV. LTR: A	BY: JD	REVISED: 01/07/00 1:55	TDR: 0199019								
FILE: AAA00066297				MDL: -		STD 14" GRINDER 37 W/REAR EXHAUST & 'GE' MAGNETIC STARTER					
MTL: -											

G4LY0116

CD0258



CD0258

REV. DESC: REVISE TO SHOW OPTIONAL COLORS			
REV. LTR: C	BY: EAH	REVISED: 05/05/99 11:35	TDR: 0179909
89Z0C0		FILE: AAA00051260	MDL: -
		MTL: -	

BALDOR ELECTRIC Co.

3PH, DV, 9 LEAD, GRINDER OR BUFFER W/MAGNETIC STARTER

