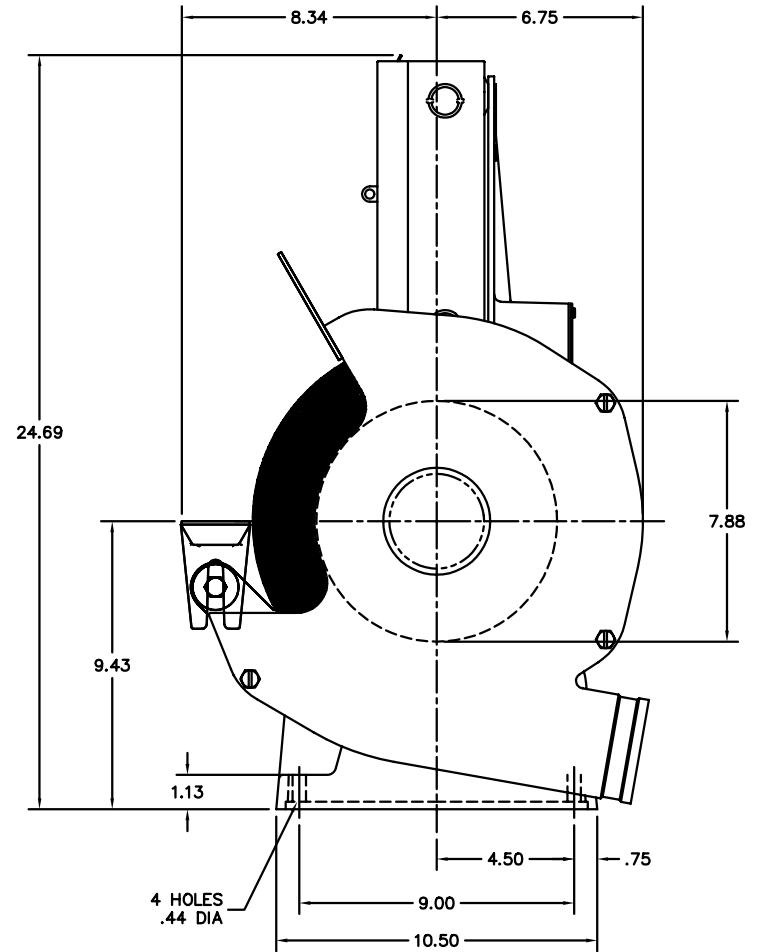
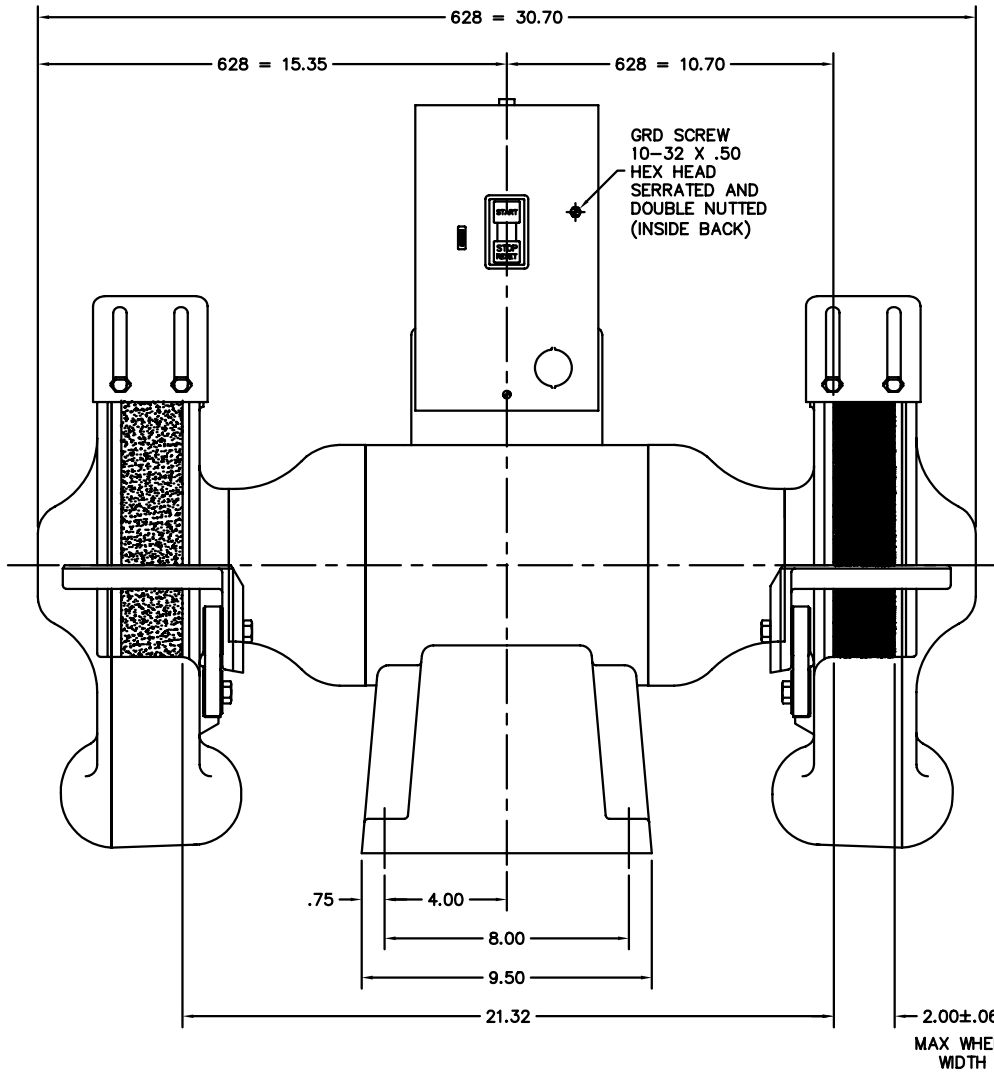


G2LY0118



CUST. NAME		CUST. P.O.		CERTIFIED BY		MODEL		INSUL		AMB	
H.P.	MTG	TYPE	R.P.M.	VOLTS		ENCL	PHASE	FREQ	FRAME		
REV. DESC: NEW											
REV. LTR: -	BY: JD	REVISED: 07/21/99 5:07	TDR: 0181851			BALDOR ELECTRIC Co.					
FILE: AAA00066177			MDL: -								
MTL: AAA00055923											
						STD 12" GRINDER 36M FRAME W/EXHAUSTS & 'GE' MANUAL STARTER					

G2LY0118