

# **ABB BALDOR RELIANCE III**

---

## **Customer information packet** 105W

28M 4P GRNDR W/EXH

**Specifications**

<b>Enclosure</b>	TENV
<b>Frame Material</b>	Steel
<b>Frequency</b>	50.00 Hz 60.00 Hz 50.00 Hz 60.00 Hz
<b>Motor Letter Type</b>	Three Phase
<b>Nameplate Output</b>	1.5
<b>Number of Poles</b>	4 4
<b>Output @ Frequency</b>	1.500 HP @ 50 HZ 1.500 HP @ 60 HZ
<b>Phase</b>	3 3
<b>Shaft Diameter</b>	0.875 IN 0.875 IN
<b>Speed</b>	1500 rpm 1800 rpm 1500 rpm 1800 rpm
<b>Synchronous Speed @ Frequency</b>	1500 RPM @ 50 HZ
<b>Voltage</b>	575 V
<b>Voltage @ Frequency</b>	575.0 V @ 60 HZ 575.0 V @ 50 HZ
<b>Agency Approvals</b>	CSA
<b>Ambient Temperature</b>	40 °C
<b>Base Indicator</b>	Rigid
<b>Bearing Grease Type</b>	Polyrex EM (-20F +300F)
<b>Current @ Voltage</b>	1.650 A @ 575.0 V 1.750 A @ 575.0 V
<b>Design Code</b>	-
<b>Duty Rating</b>	CONT

**Part Detail**

<b>Revision</b>	A
<b>Type</b>	AC
<b>Mech. spec.</b>	G10-163
<b>Base</b>	
<b>Status</b>	PRD/A
<b>Elec. spec.</b>	G0WG0361
<b>Layout</b>	GOLY0163
<b>Eff. date</b>	07-23-2024
<b>CD Diagram</b>	CD0006
<b>Poles</b>	04
<b>Leads</b>	3#18
<b>Proprietary</b>	False
<b>Created date</b>	02-23-2023

<b>Feedback Device</b>	NO FEEDBACK
<b>Insulation Class</b>	B
<b>KVA Code</b>	-
<b>Motor Lead Quantity/Wire Size</b>	3 @ 18 AWG
<b>Motor Standards</b>	Other
<b>Motor Type</b>	3528M
<b>Mounting Arrangement</b>	F1
<b>Overall Length</b>	24.12 IN
<b>Product Family</b>	Grinder
<b>Service Factor</b>	1.00
<b>Shaft Rotation</b>	Phase Seq-Opp Std Rot (CWODE)
<b>Shaft Slinger Indicator</b>	No Slinger
<b>Speed Code</b>	Single Speed
<b>Starting Method</b>	Direct on line
<b>Thermal Device - Winding</b>	None
<b>Winding Thermal 1</b>	None
<b>Winding Thermal 2</b>	None

**Nameplate**

<b>NP0113</b>			
<b>CAT.NO.</b>	105W		
<b>HP</b>	1.5	<b>VOLTS</b>	575
<b>PHASE</b>	3	<b>AMPS</b>	1.75//1.65
<b>HZ</b>	50//60	<b>RPM</b>	1500//1800
<b>SER.NO</b>			
<b>SPEC.</b>	G10-163G0361		

**Accessories**

<b>Part number</b>	<b>Description</b>	<b>Multiplier</b>
GA16	PEDESTAL INDUSTRIAL, CAST IRON 6" - 10"	A8
GA14	PEDESTAL FABRICATED STEEL W/SHELVES	A8
GA20	PEDESTAL INDUSTRIAL, CAST IRON 8"-14"	A8
GA20E	PEDESTAL LIGHT INDUSTRIAL,STEEL	A8
GA24	WATER POT	A8
B102	10" 36 GRIT GRINDING WHEEL	A8
B103	10" 60 GRIT GRINDING WHEEL	A8
GA9	PAIR LIGHTED EYESHIELDS	A8
GA9-1	SINGLE LIGHTED EYESHIELD	A8
GA9S	PAIR EYESHIELDS W/ ON-OFF SWITCH	A8
GA11	PAIR EYESHIELDS	A8
DC10	DUST CONTROL UNIT	A8

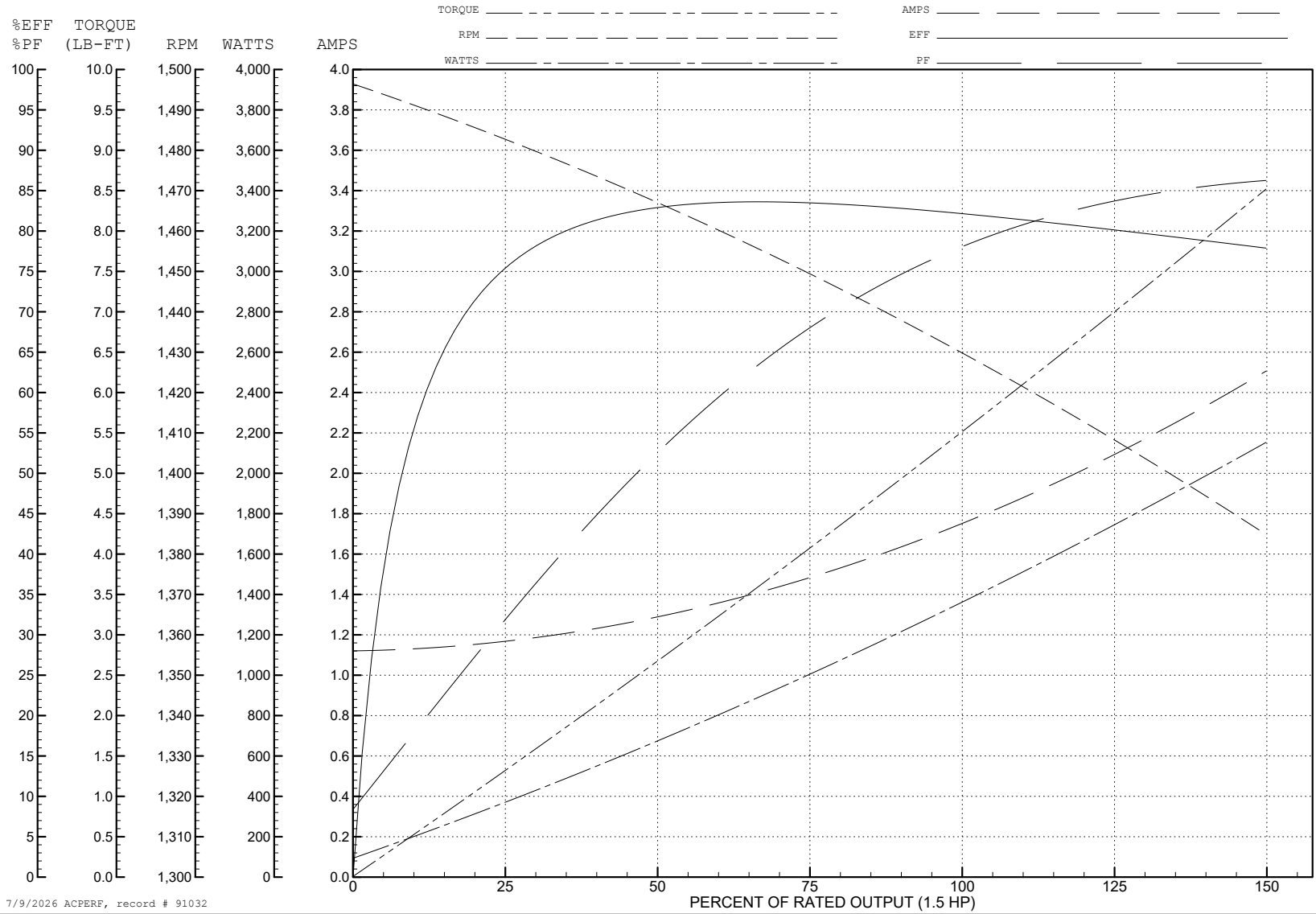
ABB Motors and Mechanical Inc.

WINDING # G0WG0361

Typical performance - not guaranteed values.

1.5 HP 3 PH 50 HZ 1430 RPM 575 V G1028M

TORQUES (LB-FT): PO=20.85 PU=17.11 LR=20.75 LRA=14.24



7/9/2026 ACPERF, record # 91032

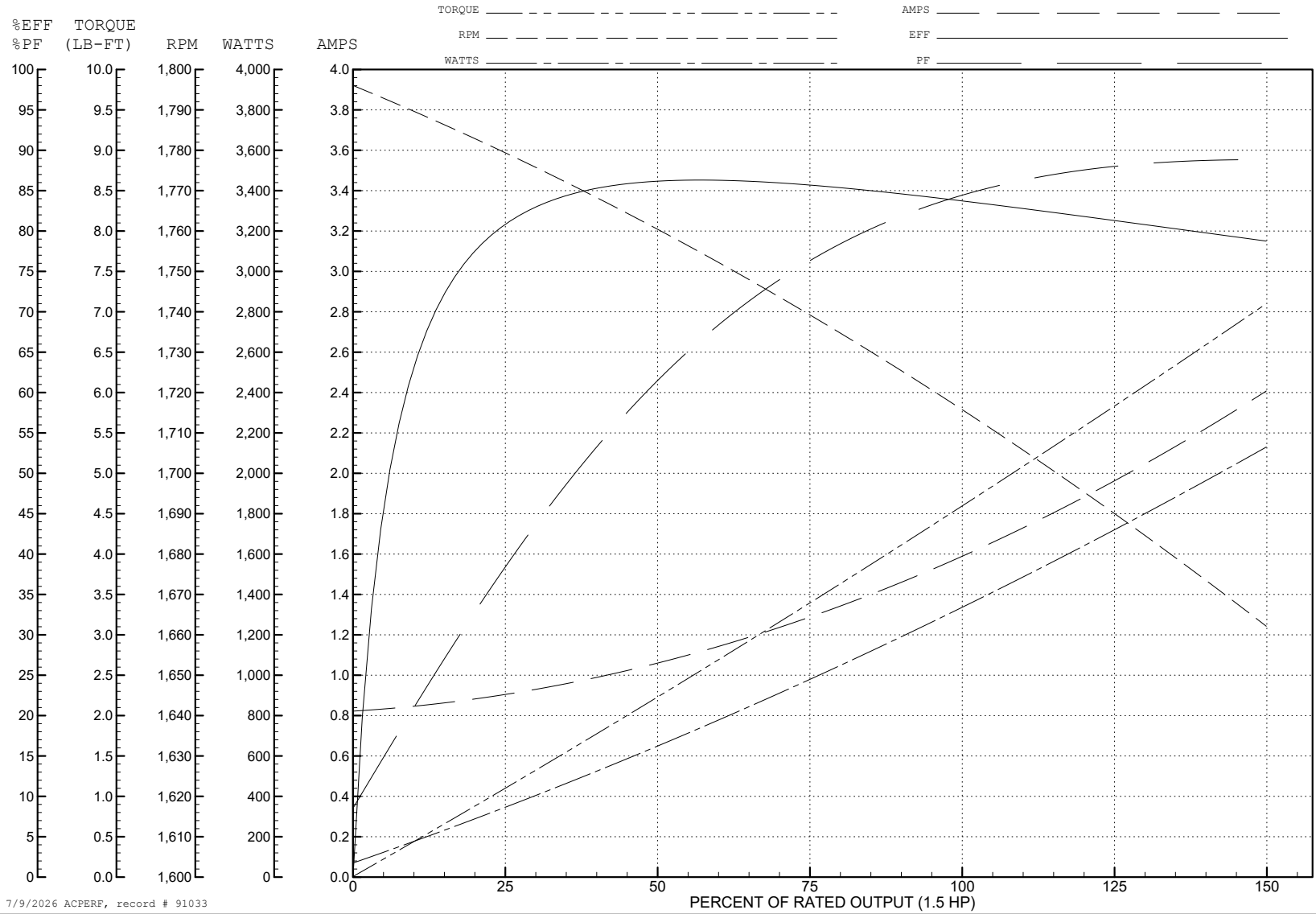
ABB Motors and Mechanical Inc.

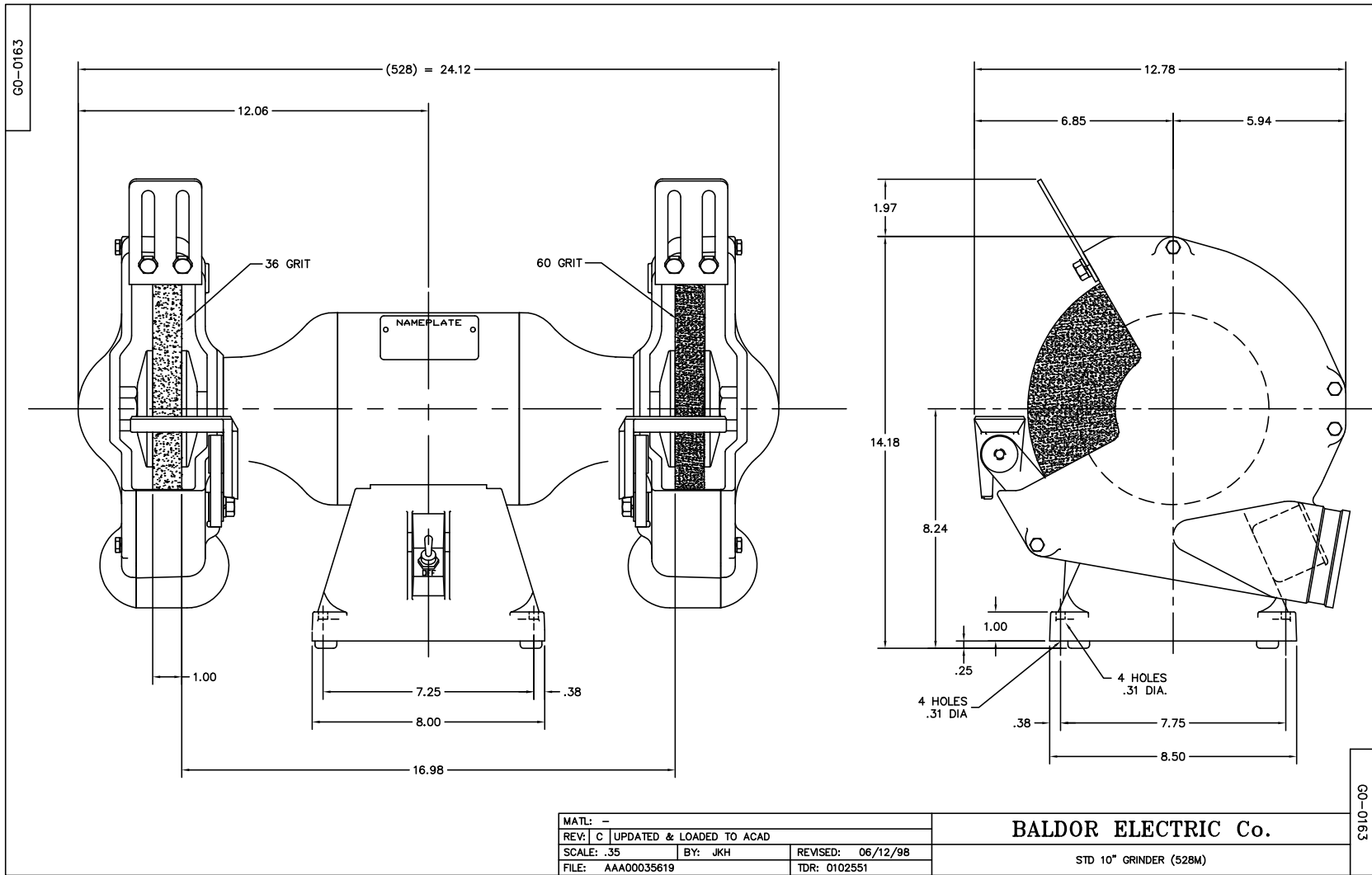
WINDING # G0WG0361

Typical performance - not guaranteed values.

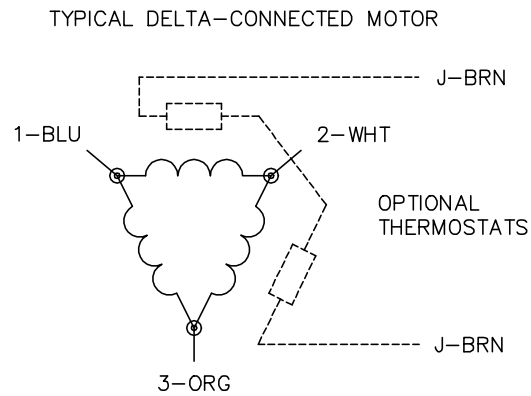
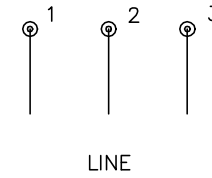
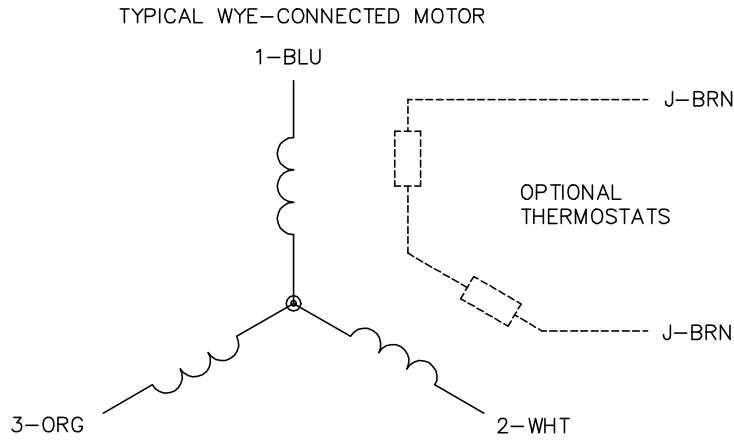
1.5 HP 3 PH 60 HZ 1716 RPM 575 V G1028M

TORQUES (LB-FT): PO=15.92 PU=12.19 LR=14.78 LRA=12.99





CD0006



NOTES:

1. THREE LEAD MOTOR MAY BE EITHER WYE CONNECTED OR DELTA CONNECTED.
2. INTERCHANGE ANY TWO LINE LEADS TO REVERSE ROTATION.
3. OPTIONAL THERMOSTATS ARE PROVIDED WHEN SPECIFIED.
4. ACTUAL NUMBER OF INTERNAL PARALLEL CIRCUITS MAY VARY.
5. LEAD COLORS ARE OPTIONAL. LEADS MUST BE NUMBERED AS SHOWN.

CD0006

REV. DESC: ADD CLASS CONN00000007		
REV. LTR: E	VERSION: 01	TDR: 000001099922
FILE: \AAA\00005\141	REVISED: 10:24:49 02/19/2019	BY: ENBRIRO
MTL: -	© □	

**BALDOR - RELIANCE®**

3PH, SV, 3 LEADS, WYE OR DELTA CONNECTED

SH 1 of 1