

BALDOR® • RELIANCE®

Customer information packet

1021WD

28M 4P GRNDR

Specifications

Frequency	50.00 Hz
	60.00 Hz
Nameplate Output	1.5
Number of Poles	4
Phase	3
Shaft Diameter	0.875 IN
Speed	1500 rpm
	1800 rpm
Voltage	208 V
	230 V
	460 V

Part detail

Revision	A
Type	AC
Mech. spec.	G10-239
Base	
Status	PRD/A
Elec. spec.	G0WG0360
Layout	G0LY0239
Eff. date	07-23-2024
CD Diagram	CD0005
Poles	04
Leads	9#18
Proprietary	False
Created date	02-23-2023

Nameplate

NP0113			
CAT.NO.	1021WD		
HP	1.5	VOLTS	208-230/460
PHASE	3	AMPS	4.6-4.4/2.2
HZ	60//50	RPM	1800//1500
SER.NO			
SPEC.	G10-239G0360		

Accessories

Part number	Description	Multiplier
GA16	PEDESTAL INDUSTRIAL, CAST IRON 6" - 10"	A8
GA14	PEDESTAL FABRICATED STEEL W/SHELVES	A8
GA20	PEDESTAL INDUSTRIAL, CAST IRON 8"-14"	A8
GA20E	PEDESTAL LIGHT INDUSTRIAL,STEEL	A8
B102	10" 36 GRIT GRINDING WHEEL	A8
B103	10" 60 GRIT GRINDING WHEEL	A8
GA9	PAIR LIGHTED EYESHIELDS	A8
GA9-1	SINGLE LIGHTED EYESHIELD	A8
GA9S	PAIR EYESHIELDS W/ ON-OFF SWITCH	A8
GA11	PAIR EYESHIELDS	A8
DC10	DUST CONTROL UNIT	A8

AC Induction Motor Performance Data

Record # 87539

Typical performance - not guaranteed values

Winding: G0WG0360-R001		Type: G1028M	Enclosure: TENV	
Nameplate Data			460 V, 50 Hz: High Voltage Connection	
Rated Output (HP)	1.5	Full Load Torque	5.45 LB-FT	
Volts	208-230/460	Start Configuration	direct on line	
Full Load Amps	4.6-4.4/2.2//4.4-4/2	Breakdown Torque	20.26 LB-FT	
R.P.M.	1500//1800	Pull-up Torque	13.77 LB-FT	
Hz	50//60 Phase	Locked-rotor Torque	17.79 LB-FT	
NEMA Design Code	- KVA Code	Starting Current	13.88 A	
Service Factor (S.F.)	1	No-load Current	1.27 A	
NEMA Nom. Eff.	0 Power Factor	Line-line Res. @ 25°C	17.9 Ω	
Rating - Duty	40C AMB-CONT	Temp. Rise @ Rated Load		
		Locked-rotor Power Factor	79.9	
		Rotor inertia	0.202 lb-ft ²	

Load Characteristics 460 V, 50 Hz, 1.5 HP

% of Rated Load	25	50	75	100	125	150
Power Factor	35	56	69	77	81	84
Efficiency	77.1	82.7	83	81.1	78.6	74.9
Speed	1484	1466	1447	1426	1401	1370
Line amperes	1.32	1.53	1.83	2.21	2.7	3.2

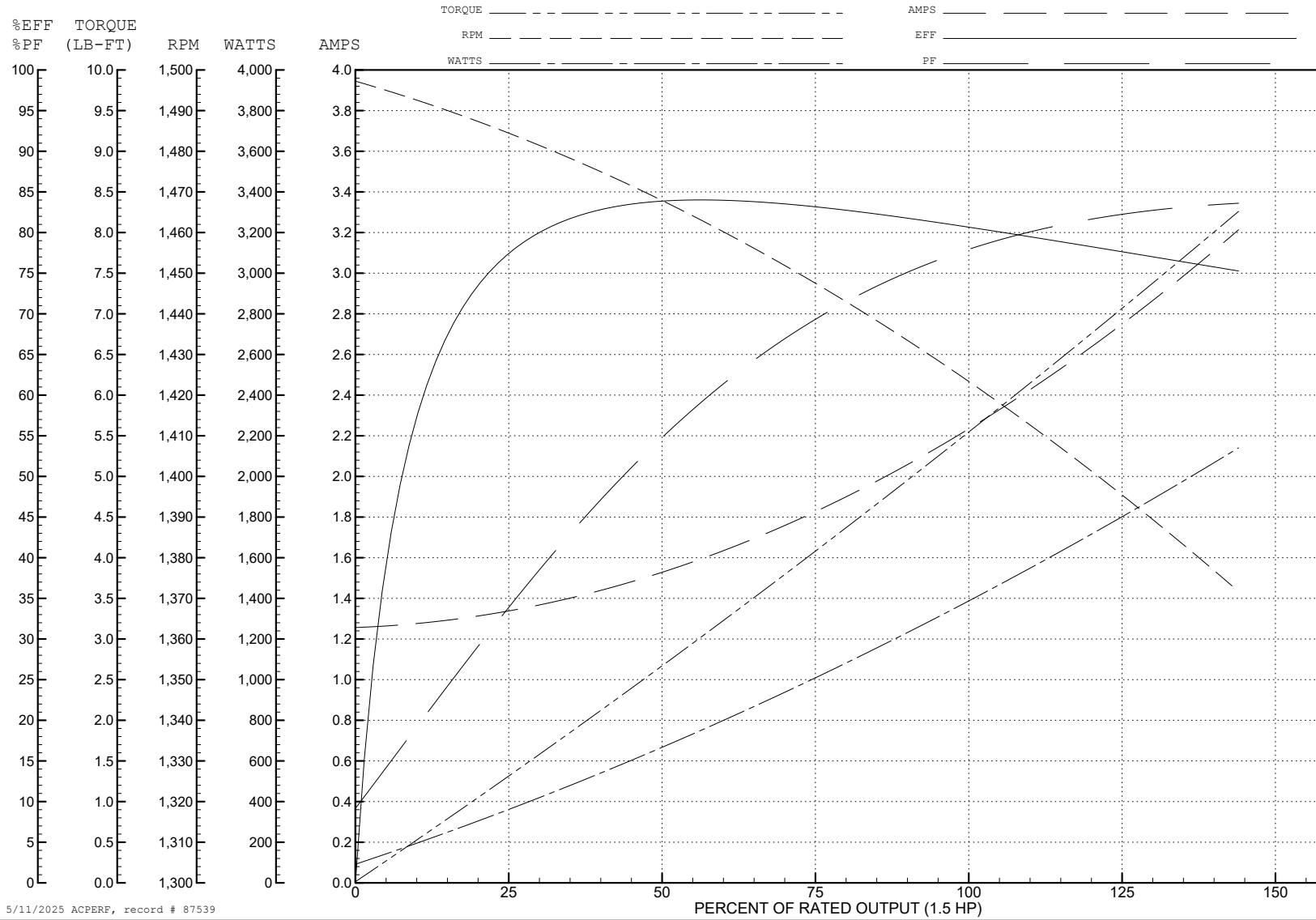
ABB Motors and Mechanical Inc.

WINDING # G0WG0360

Typical performance - not guaranteed values.

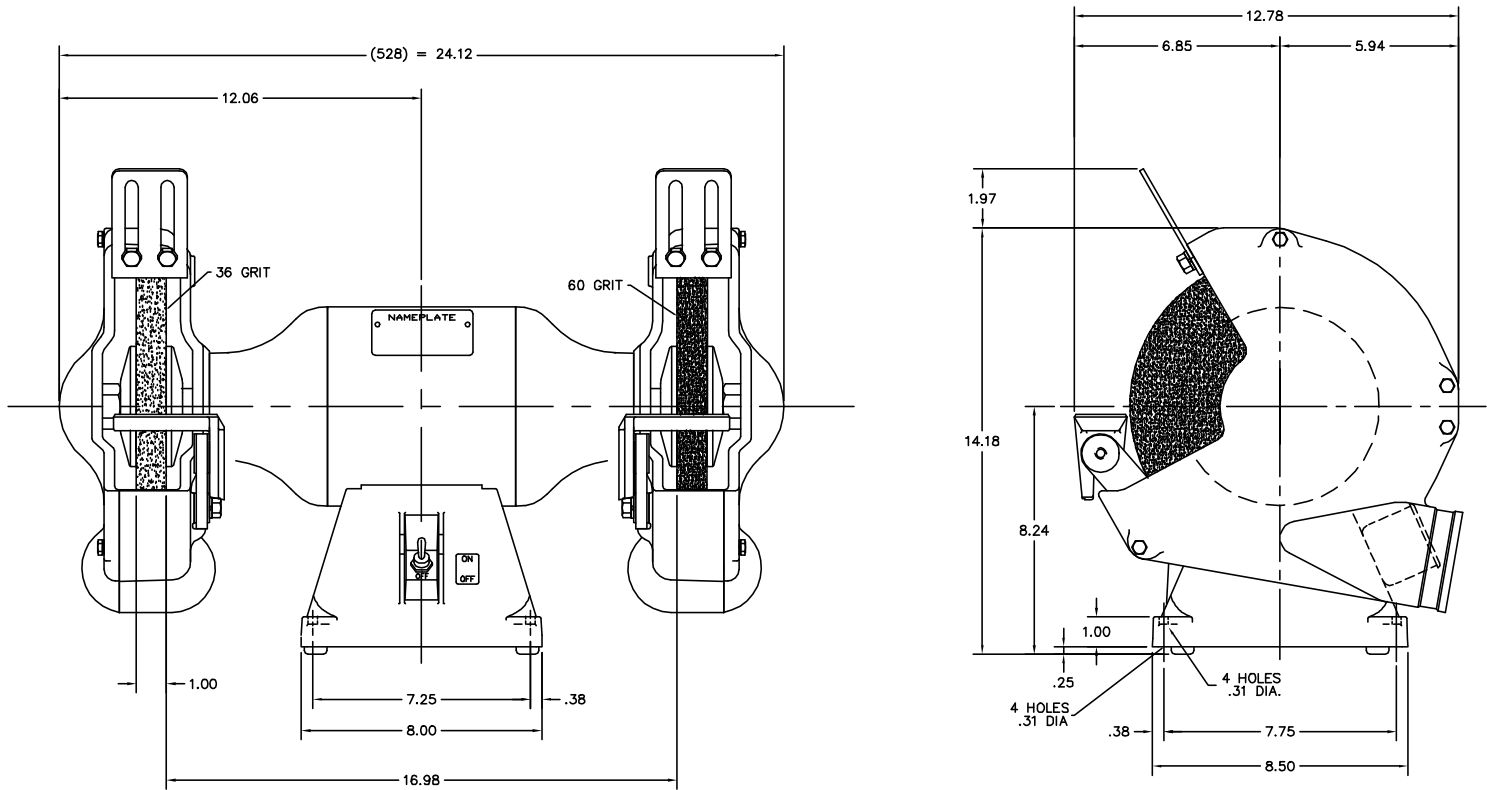
1.5 HP 3 PH 50 HZ 1426 RPM 460 V G1028M

TORQUES (LB-FT): PO=20.26 PU=13.77 LR=17.79 LRA=13.88



5/11/2025 ACPERF, record # 87539

GOL Y0239



GOL Y0239

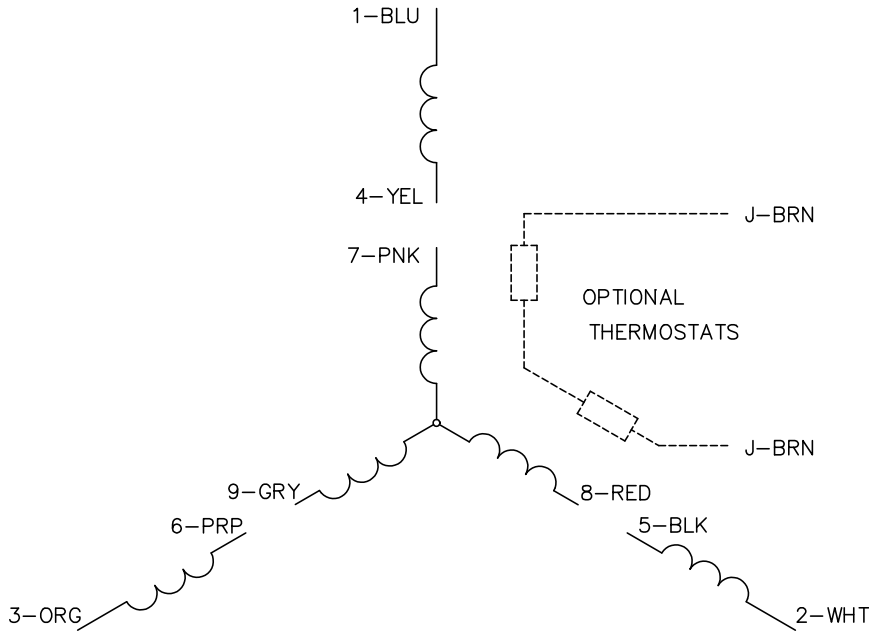
CUSTOMER IS RESPONSIBLE FOR DETERMINING THAT MOTOR PERFORMANCE IS SUITABLE IN THE APPLICATION.

REV. DESC: REMOVE FELT WASHER (HA1025A03)	VERSION: 01	TDR: 000000357606
REV. LTR: D	REVISED: 08:25:08 10/06/2005	BY: ENJASF0
FILE: \AAA\00035\666		
MTL: -		

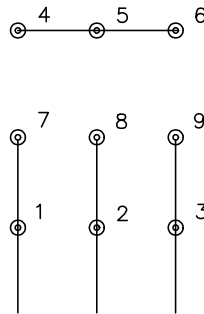
BALDOR ELECTRIC Co.

STD 10" GRINDER (528M) W/EYESHIELD

CD0005

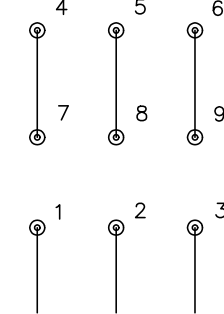


LOW VOLTAGE
(2Y)



LINE

HIGH VOLTAGE
(1Y)



LINE

NOTES:

1. INTERCHANGE ANY TWO LINE LEADS TO REVERSE ROTATION.
2. OPTIONAL THERMOSTATS ARE PROVIDED WHEN SPECIFIED.
3. ACTUAL NUMBER OF INTERNAL PARALLEL CIRCUITS MAY BE A MULTIPLE OF THOSE SHOWN ABOVE.
4. LEAD COLORS ARE OPTIONAL. LEADS MUST ALWAYS BE NUMBERED AS SHOWN.

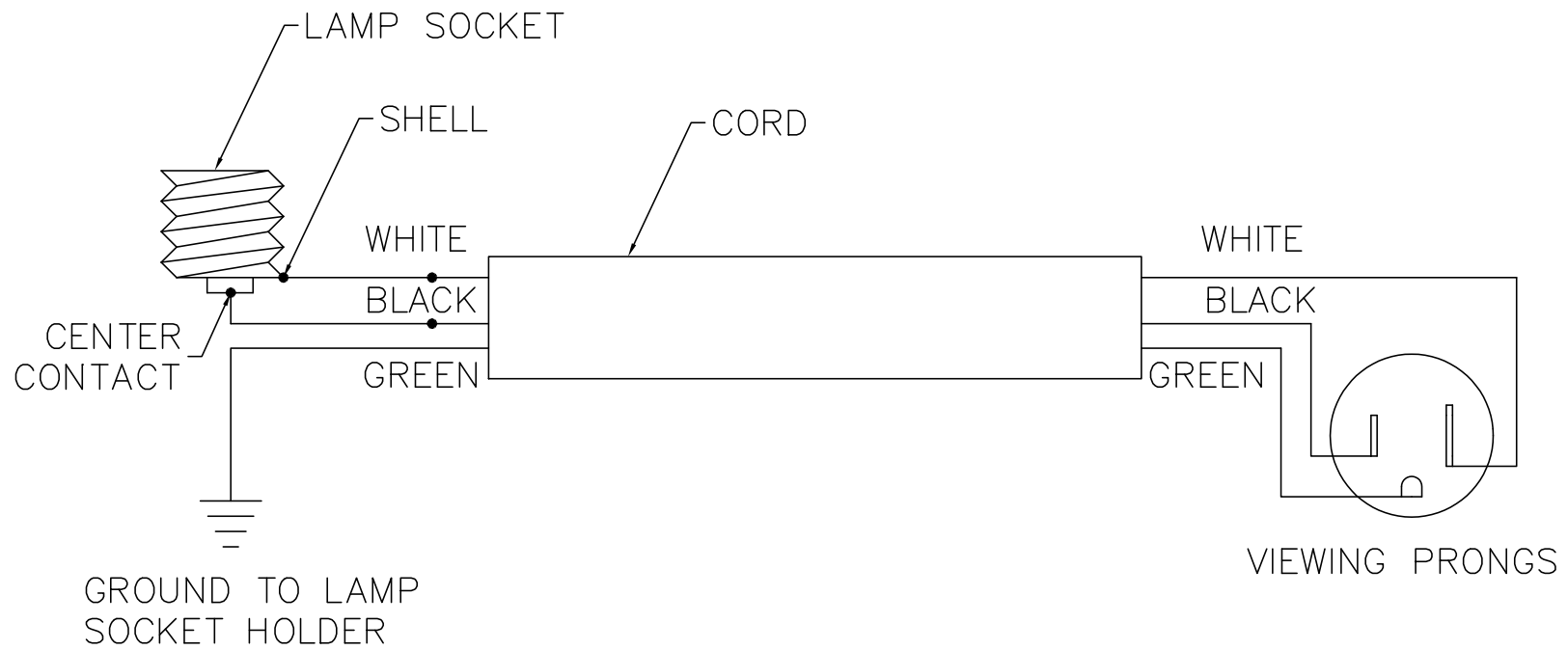
CD0005

REV. DESC: REVISE TO SHOW OPTIONAL COLORS			
REV. LTR: E	BY: JLP	REVISED: 01/19/99 10:15	TDR: 0171435
S00000		FILE: AAA00005140	MDL: -
		MTL: -	

BALDOR ELECTRIC Co.

3PH, DV, 9 LEADS

CD0280



REV. DESC: MOVED TO ACAD			
REV. LTR: A	BY: MM	REVISED: 06/21/00 1:17	TDR: 0213006
08Z0C0		FILE: AAA00076647	MDL: -
		MTL: -	

BALDOR ELECTRIC Co.

CD WIRING DIAG FOR LIGHTEYE SHIELDS

CD0280