

BALDOR® • RELIANCE®

Customer information packet 1021W

28M 4P GRNDR

Specifications

Frequency	50.00 Hz
	60.00 Hz
Nameplate Output	1.5
Number of Poles	4
Phase	3
Product Style	GRINDER
Shaft Diameter	0.875 IN
Speed	1500 rpm
	1800 rpm
Voltage	208 V
	230 V
	460 V

Part detail

Revision	AS
Type	AC
Mech. spec.	G10-163
Base	
Status	PRD/A
Elec. spec.	G0WG0004
Layout	G0LY0163
Eff. date	08-23-2022
CD Diagram	CD0005
Poles	04
Leads	9#18 SEE NOTES Y
Proprietary	False
Created date	01-01-0001

Nameplate

NP0113			
CAT.NO.	1021W		
HP	1.5	VOLTS	208-230/460
PHASE	3	AMPS	2.6/1.3
HZ	50//60	RPM	1500//1800
SER.NO			
SPEC.	G10-163-4		

Accessories

Part number	Description	Multiplier
GA16	PEDESTAL INDUSTRIAL, CAST IRON 6" - 10"	A8
GA14	PEDESTAL FABRICATED STEEL W/SHELVES	A8
GA20	PEDESTAL INDUSTRIAL, CAST IRON 8"-14"	A8
GA20E	PEDESTAL LIGHT INDUSTRIAL,STEEL	A8
GA24	WATER POT	A8
B102	10" 36 GRIT GRINDING WHEEL	A8
B103	10" 60 GRIT GRINDING WHEEL	A8
GA9	PAIR LIGHTED EYESHIELDS	A8
GA9-1	SINGLE LIGHTED EYESHIELD	A8
GA9S	PAIR EYESHIELDS W/ ON-OFF SWITCH	A8
GA11	PAIR EYESHIELDS	A8
DC10	DUST CONTROL UNIT	A8

AC Induction Motor Performance Data

Record # 33929

Typical performance - not guaranteed values

Winding: G0WG0004-R001		Type: 3528M	Enclosure: TENV	
Nameplate Data			460 V, 60 Hz: High Voltage Connection	
Rated Output (HP)	1.5	Full Load Torque	4.56 LB-FT	
Volts	208-230/460	Start Configuration	direct on line	
Full Load Amps	2.7-2.6/1.3//2.7/1.3	Breakdown Torque	14.1 LB-FT	
R.P.M.	1500//1800	Pull-up Torque	8.44 LB-FT	
Hz	50//60 Phase	Locked-rotor Torque	10.9 LB-FT	
NEMA Design Code	- KVA Code	Starting Current	11.6 A	
Service Factor (S.F.)	1	No-load Current	0.783 A	
NEMA Nom. Eff.	0 Power Factor	Line-line Res. @ 25°C	18.8 Ω	
Rating - Duty	40C AMB-CONT	Temp. Rise @ Rated Load		

Load Characteristics 460 V, 60 Hz, 1.5 HP

% of Rated Load	25	50	75	100	125	150
Power Factor	50	73	82	86	87	88
Efficiency	80.9	84.8	84.4	81.9	78.7	74.5
Speed	1780	1757	1734	1706	1674	1633
Line amperes	0.883	1.15	1.52	1.97	2.51	3.09

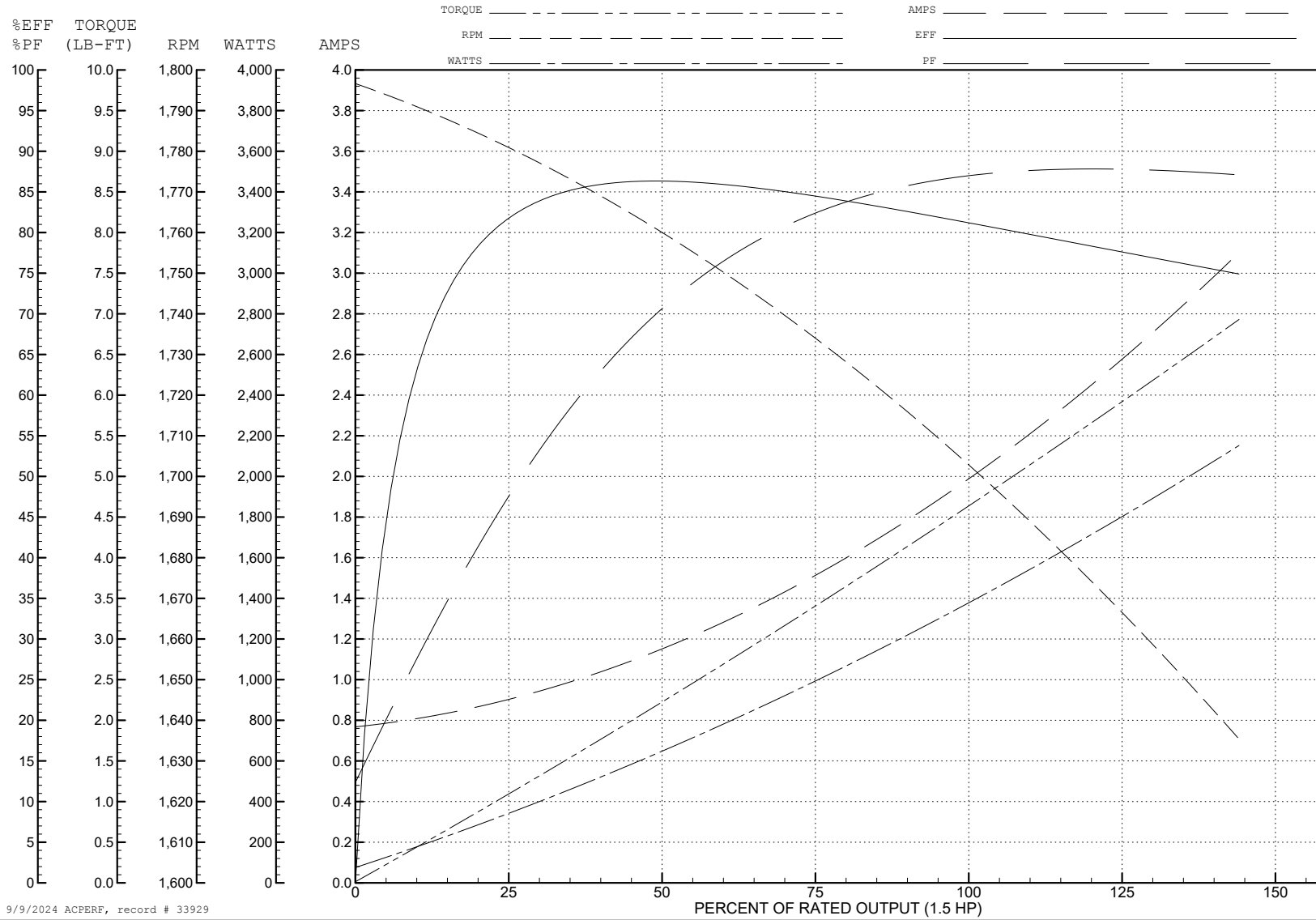
ABB Motors and Mechanical Inc.

WINDING # G0WG0004

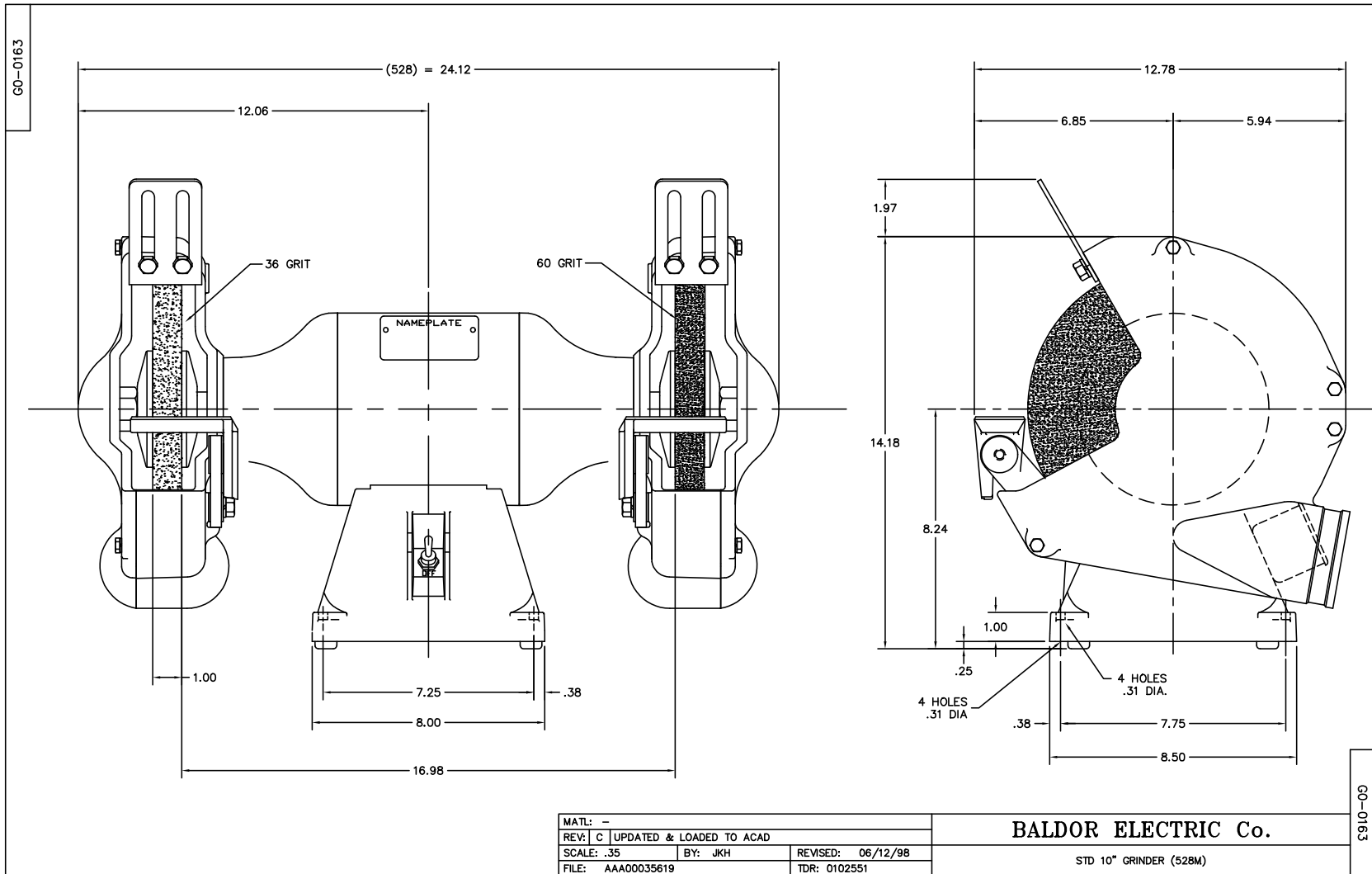
1.5 HP 3 PH 60 HZ 1706 RPM 460 V 3528M

Typical performance - not guaranteed values.

TORQUES (LB-FT): PO=14.1 PU=8.44 LR=10.9 LRA=11.6



9/9/2024 ACPERF, record # 33929



CD0005



LOW VOLTAGE
(2Y)



LINE

HIGH VOLTAGE
(1Y)



LINE

NOTES:

1. INTERCHANGE ANY TWO LINE LEADS TO REVERSE ROTATION.
2. OPTIONAL THERMOSTATS ARE PROVIDED WHEN SPECIFIED.
3. ACTUAL NUMBER OF INTERNAL PARALLEL CIRCUITS MAY BE A MULTIPLE OF THOSE SHOWN ABOVE.
4. LEAD COLORS ARE OPTIONAL. LEADS MUST ALWAYS BE NUMBERED AS SHOWN.

CD0005

REV. DESC: REVISE TO SHOW OPTIONAL COLORS			
REV. LTR: E	BY: JLP	REVISED: 01/19/99 10:15	TDR: 0171435
S00000		FILE: AAA00005140	MDL: -
		MTL: -	

BALDOR ELECTRIC Co.

3PH, DV, 9 LEADS