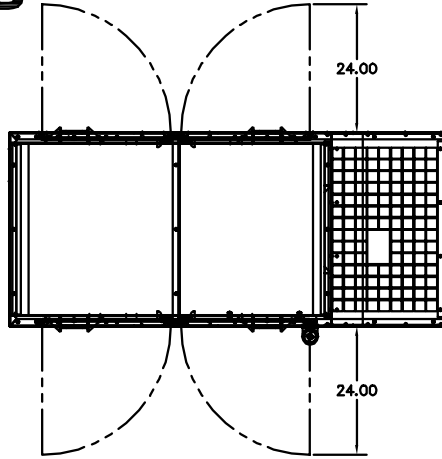


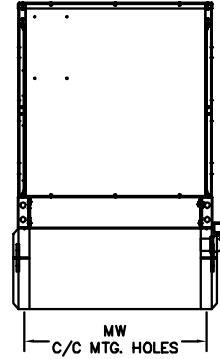
BALDOR GENERATORS

GENERAL INSTALLATION FOR IDLC GENERATORS

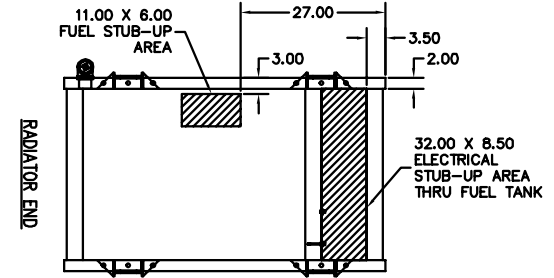
UL2200 MODEL #	MODEL #	OVERALL LENGTH L	OVERALL WIDTH W	OVERALL HEIGHT H	HOOD LENGTH HL	MOUNTING HOLE 1 M1	MOUNTING HOLE 2 M2	MOUNTING WIDTH MW	TANK HIEGHT TH (17-30 HRS)	TANK HEIGHT TH (32-55 HRS)
IDLC10-3MU	IDLC10-3M	81	36	42	21	12.00	48.00	34.00	9	15
IDLC20-3MU	IDLC20-3M									



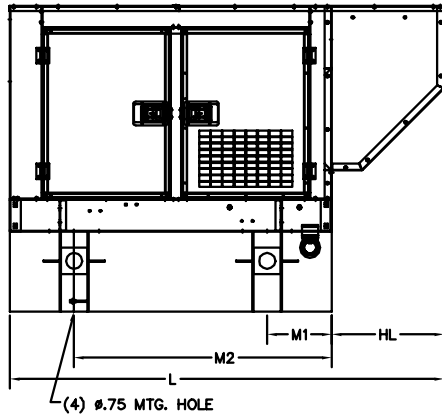
PLAN VIEW



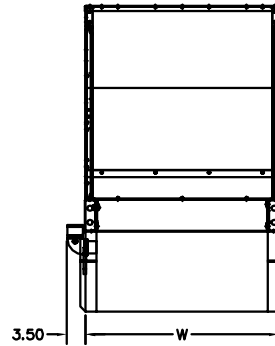
REAR VIEW



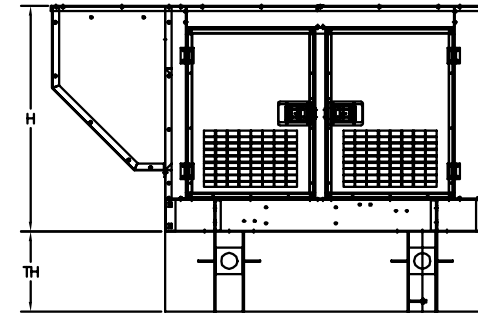
PLAN VIEW OF TANK ONLY



RIGHT SIDE VIEW



FRONT VIEW



LEFT SIDE VIEW

NOTES:

FOR PRODUCT DATA REFER TO
BALDOR MODEL SPEC SHEETS

FOR INSTALLATION RECOMMENDATIONS
REFER TO GEN SET MANUAL MN2407

ALL DIMENSIONS IN INCHES

ALL WEIGHTS IN POUNDS

DRAWING TO SCALE

TOLERANCES UNLESS OTHERWISE SPECIFIED
DECIMALS .XX ±.25 FRACTIONS ±1/4

WEIGHTS SHOWN ARE TYPICAL AND INCLUDE
ALTERNATORS SELECTED @125°C RISE

CUSTOMER IS RESPONSIBLE FOR DETERMINING THAT BALDOR'S PRODUCT WILL PERFORM SUITABLY IN THE INTENDED APPLICATION.

REV. DESC: UPDATE RUN TIME		
REV. LTR: A	VERSION: 01	TDR: 00000716042
FILE: \PGA\00017\948	REVISED: 09:10:26 10/25/2011	BY: PGCONBO
MTL: -	TAB: SA_10_20	

BALDOR

IDLC 10-20-10E

SH 2 of 2