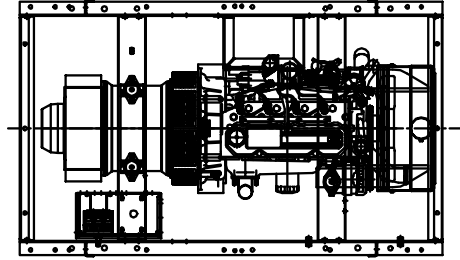


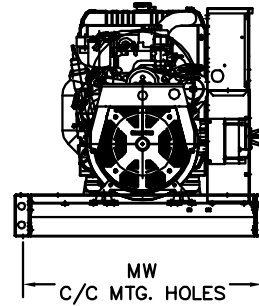
BALDOR GENERATORS

GENERAL INSTALLATION FOR IDLC GENERATORS

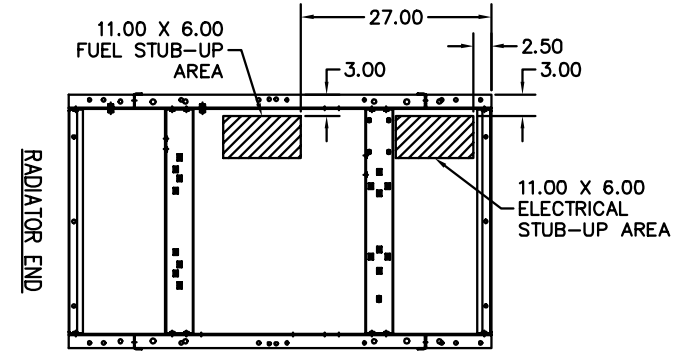
UL2200 MODEL #	MODEL #	OVERALL LENGTH L	OVERALL WIDTH W	OVERALL HEIGHT H	CORE HEIGHT 1 CH1	CORE HEIGHT 2 CH2	CORE WIDTH CW	MOUNTING HOLE 1 M1	MOUNTING HOLES 2 M2	MOUNTING WIDTH MW	WET WEIGHT (#) ±5%
IDLC10-3MU	IDLC10-3M	60	36	34	13	17	16	12.00	48.00	34.00	790
IDLC20-3MU	IDLC20-3M				12	19					1060



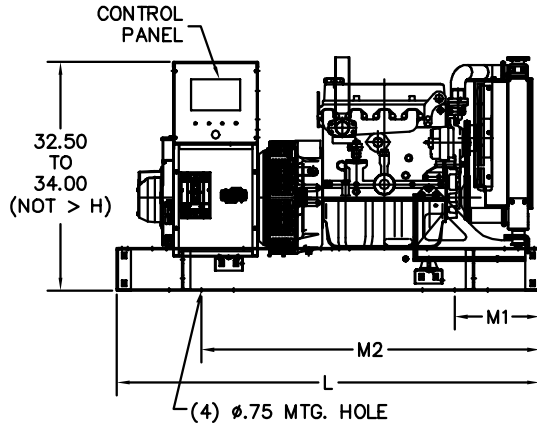
PLAN VIEW



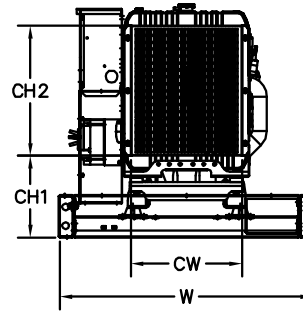
REAR VIEW



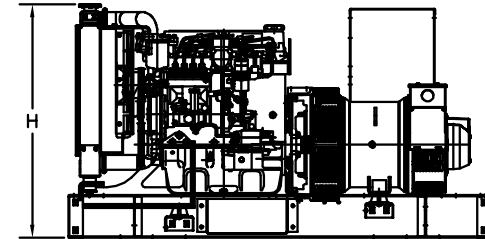
PLAN VIEW OF BASE ONLY



RIGHT SIDE VIEW



FRONT VIEW



LEFT SIDE VIEW

NOTES:

FOR PRODUCT DATA REFER TO BALDOR MODEL SPEC SHEETS

FOR INSTALLATION RECOMMENDATIONS REFER TO GEN SET MANUAL MN2407

ALL DIMENSIONS IN INCHES

ALL WEIGHTS IN POUNDS

DRAWING TO SCALE

TOLERANCES UNLESS OTHERWISE SPECIFIED
DECIMALS .XX ±.25 FRACTIONS ±1/4

WEIGHTS SHOWN ARE TYPICAL AND INCLUDE ALTERNATORS SELECTED @125°C RISE

CUSTOMER IS RESPONSIBLE FOR DETERMINING THAT BALDOR'S PRODUCT WILL PERFORM SUITABLY IN THE INTENDED APPLICATION.

REV. DESC: NEW	VERSION: 00	TDR: 000000542954
REV. LTR: -	REVISED: 07: 45: 09 06/09/2010	BY: PGAARWO
FILE: \PGA\00017\948	MTL: -	TAB: OPEN_10_20

BALDOR

IDLC 10-20-10E

SH 1 of 2