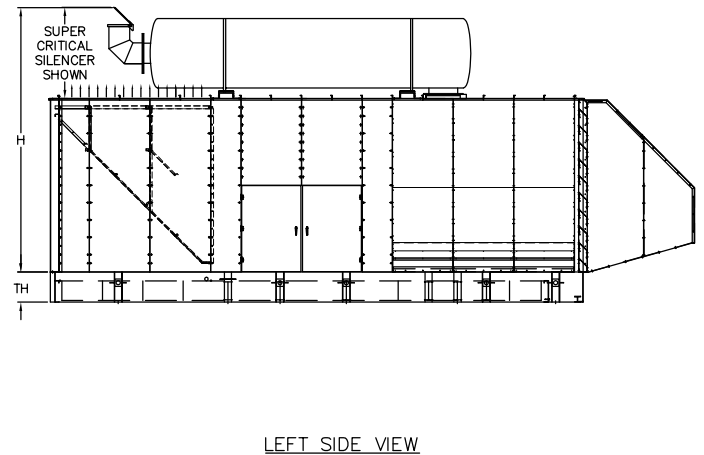
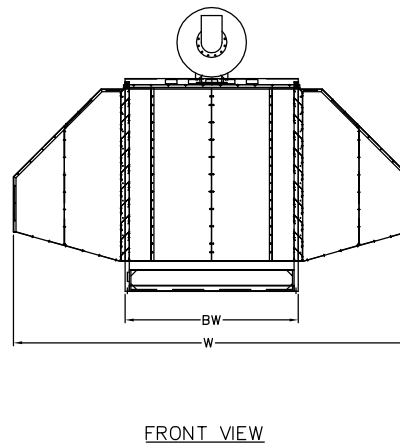
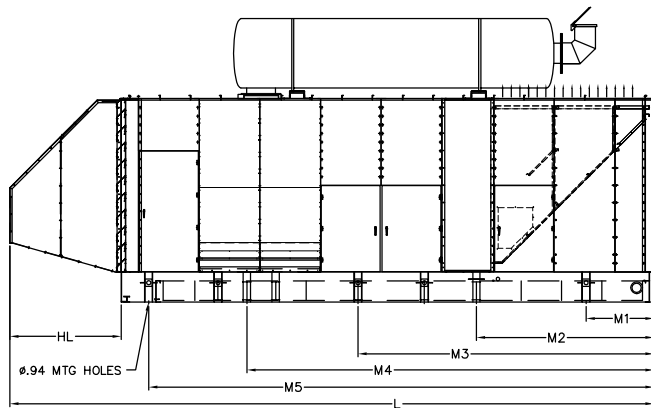
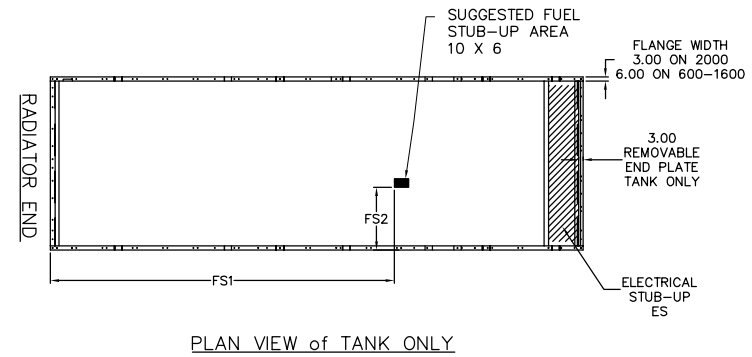
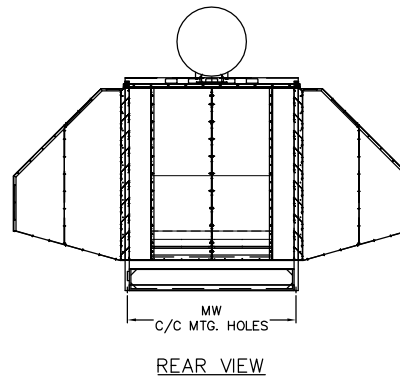
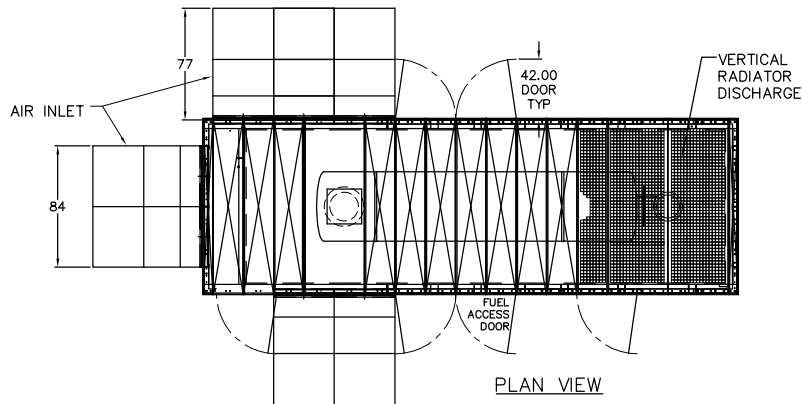


BALDOR GENERATORS

GENERAL INSTALLATION FOR IDLC GENERATORS

UL2200 MODEL #	MODEL #	OVERALL LENGTH L	OVERALL WIDTH W	OVERALL HEIGHT H	HOOD LENGTH HL	BASE WIDTH BW	MTG HOLE M1	MTG HOLE M2	MTG HOLE M3	MTG HOLE M4	MTG HOLE M5	MTG WIDTH MW	TANK HGT (12 HRS) TH	TANK HGT (24 HRS) TH	FRAME HEIGHT TH	FUEL STUB FS1	FUEL STUB FS2	ELE STUB ES
IDLC600-2MU	IDLC600-2M	279	120	155	36	84	30.00	100.00	154.00	208.00	NA	75.00	13	23	12	62	24	72 X 21
IDLC800-2MU	IDLC800-2M	339	150	170	54	96	24.50	64.50	119.50	179.50	239.50	87.00	12	21	15	98	35	84 X 21
IDLC1000-2MU	IDLC1000-2M		216				45.00	74.50	119.50	179.50	239.50	12	21	96 X 21				
IDLC1250-2MU	IDLC1250-2M	404	262	179	77	108	47.00	144.00	208.00	261.00	312.00	99.00	14	24	15	125	43	114 X 21
IDLC1600-2MU	IDLC1600-2M	425	275	183		120	45.00	104.00	184.00	243.00	331.00	111.00	14	24				
IDLC2000-2MU	IDLC2000-2M	446				47.00	123.00	205.00	282.00	350.00	117.00	21	32					



NOTES:
 FOR PRODUCT DATA REFER TO
 BALDOR MODEL SPEC SHEETS
 FOR INSTALLATION RECOMMENDATIONS
 REFER TO GEN SET MANUAL MN2407
 ALL DIMENSIONS IN INCHES
 UNLESS SPECIFIED
 DRAWING TO SCALE
 TOLERANCES UNLESS OTHERWISE SPECIFIED
 DECIMALS .XX ±.25 FRACTIONS ±1/4

REV. DESC: NEW		
REV. LTR: -	VERSION: 00	TDR: 000000456525
FILE: \PGA\00012\255	REVISED: 08:39:59 06/05/2008	BY: PGMICB0
MTL: -	TAB: L2_600_2000	

BALDOR • DODGE • RELIANCE

IDLC 600-2000
 SH 9 of 9