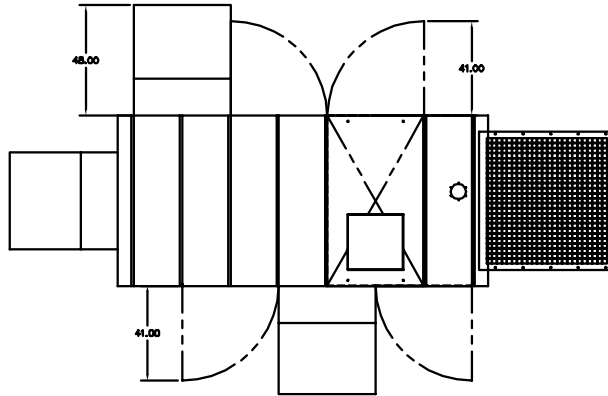


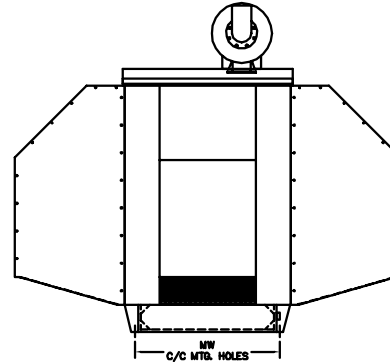
BALDOR GENERATORS

GENERAL INSTALLATION FOR IDLC GENERATORS

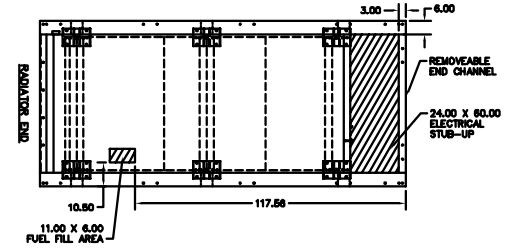
UL2200 MODEL #	MODEL #	OVERALL LENGTH L	OVERALL WIDTH W	OVERALL HEIGHT H	HOOD LENGTH HL	BASE WIDTH BW	MOUNTING HOLE 1 M1	MOUNTING HOLE 2 M2	MOUNTING HOLE 3 M3	MOUNTING WIDTH MW	TANK HEIGHT TH (12-17 HRS)	TANK HEIGHT TH (24-34 HRS)	TANK HEIGHT TH (FRAME ONLY)	
IDLC300-3JU	IDLC300-3J	213	72	136	54	66	16.00	72.50	129.00	63.00	14	24	6	
IDLC300-3DU	IDLC300-3D			142							60	18		32
IDLC350-3DU	IDLC350-3D											IDLC350-3JU		IDLC350-3J
IDLC400-3DU	IDLC400-3D	219	72	142	60	66	16.00	72.50	129.00	63.00	14	24	6	
IDLC450-3DU	IDLC450-3D										IDLC450-3JU	IDLC450-3J		
IDLC500-2DU	IDLC500-2D													



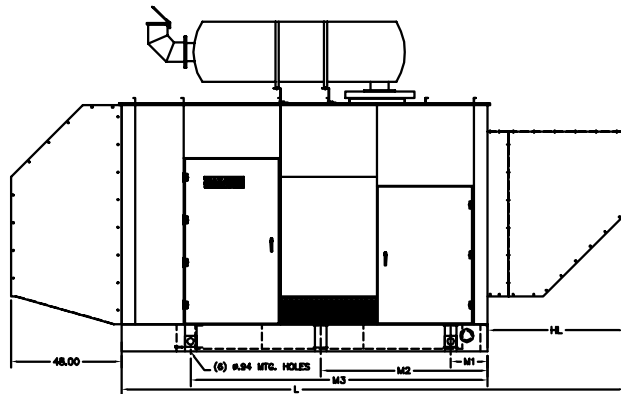
PLAN VIEW



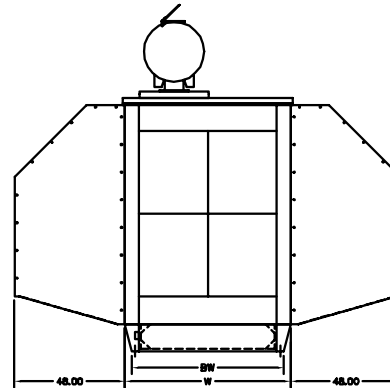
REAR VIEW



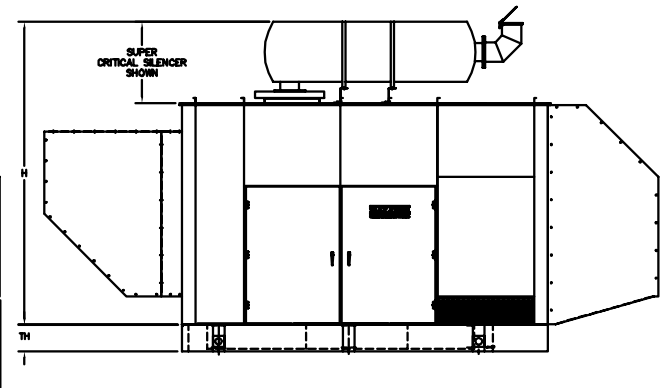
PLAN VIEW OF TANK ONLY



RIGHT SIDE VIEW



FRONT VIEW



LEFT SIDE VIEW

NOTES:

FOR PRODUCT DATA REFER TO
BALDOR MODEL SPEC SHEETS

FOR INSTALLATION RECOMMENDATIONS
REFER TO GEN SET MANUAL MN2407

ALL DIMENSIONS IN INCHES

DRAWING TO SCALE

TOLERANCES UNLESS OTHERWISE SPECIFIED
DECIMALS .XX ±.25 FRACTIONS ±1/4

CUSTOMER IS RESPONSIBLE FOR DETERMINING THAT BALDOR'S PRODUCT WILL PERFORM SUITABLY IN THE INTENDED APPLICATION.

REV. DESC: REVISE DWG SA-IS-30-150 STUB-UP	VERSION: 05	TDR: 00000521786
REV. LTR: E	REVISED: 02:39:54 12/18/2009	BY: PGCONBO
FILE: \PGA\00010\468	MTL: -	TAB: SA_L2_300_500

BALDOR • DODGE • RELIANCE

IDLC 30-500-07E

SH 11 of 12