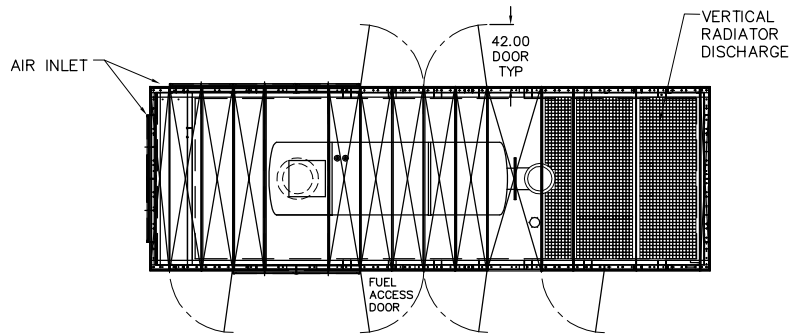


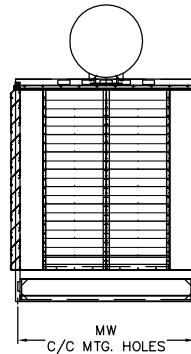
BALDOR GENERATORS

GENERAL INSTALLATION FOR IDLC GENERATORS

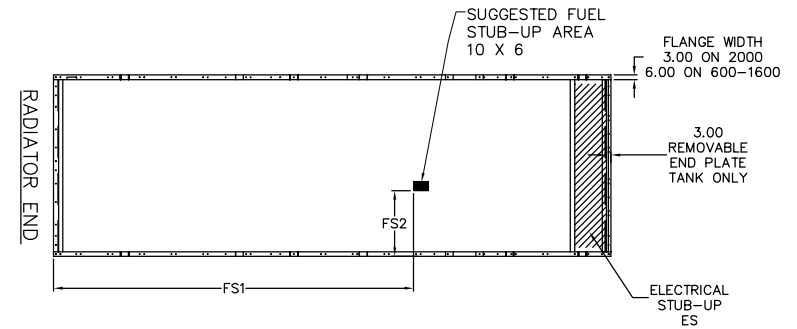
UL2200 MODEL #	MODEL #	OVERALL LENGTH L	OVERALL L WIDTH W	OVERALL HEIGHT H	BASE WIDTH BW	MTG HOLE M1	MTG HOLE M2	MTG HOLE M3	MTG HOLE M4	MTG HOLE M5	MTG WIDTH MW	TANK HGT (12 HRS) TH	TANK HGT (24 HRS) TH	FRAME HEIGHT TH	FUEL STUB FS1	FUEL STUB FS2	ELE STUB ES
IDLC600-2MU	IDLC600-2M	243	87	152	84	30.00	100.00	154.00	208.00	NA	75.00	13	23	12	62	24	72 X 21
IDLC800-2MU	IDLC800-2M	285	99	170	96	24.50	64.50	119.50	179.50	239.50	87.00	12	21	15	98	35	84 X 21
IDLC1000-2MU	IDLC1000-2M		114	169	108	24.50	74.50	119.50	179.50	239.50	99.00	12	21			40	96 X 21
IDLC1250-2MU	IDLC1250-2M	327	126	179	120	47.00	144.00	208.00	261.00	312.00	111.00	14	24	15	125	37	114 X 21
IDLC1600-2MU	IDLC1600-2M	348		183		45.00	104.00	184.00	283.00	331.00		14	24			43	
IDLC2000-2MU	IDLC2000-2M	369		126		183	120	47.00	123.00	205.00		282.00	350.00			117.00	



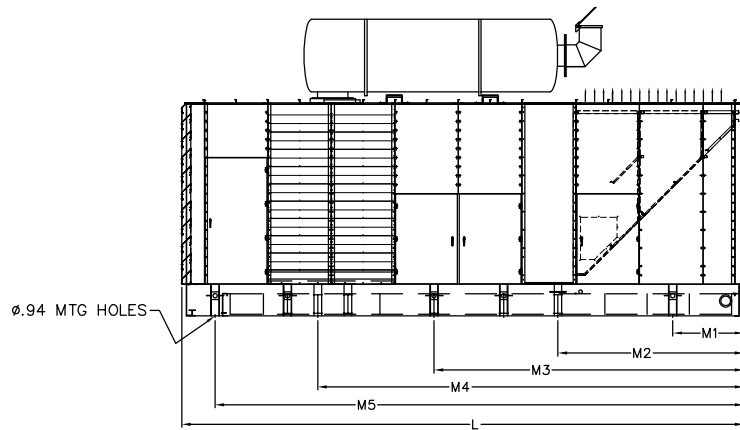
PLAN VIEW



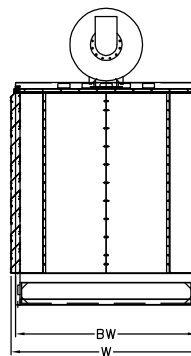
REAR VIEW



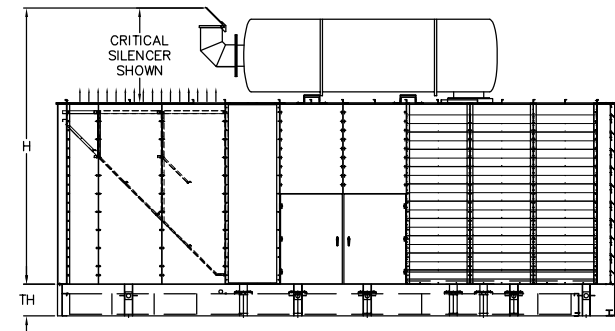
PLAN VIEW of TANK ONLY



RIGHT SIDE VIEW



FRONT VIEW



LEFT SIDE VIEW

NOTES:

FOR PRODUCT DATA REFER TO BALDOR MODEL SPEC SHEETS

FOR INSTALLATION RECOMMENDATIONS REFER TO GEN SET MANUAL MN2407

ALL DIMENSIONS IN INCHES UNLESS SPECIFIED

DRAWING TO SCALE

TOLERANCES UNLESS OTHERWISE SPECIFIED DECIMALS .XX ±.25 FRACTIONS ±1/4

REV. DESC: NEW		
REV. LTR: -	VERSION: 00	TDR: 000000456525
FILE: \PGA\00012\255	REVISED: 08:39:55 06/05/2008	BY: PGMICB0
MTL: -	TAB: L1_600_2000	

BALDOR • DODGE • RELIANCE

IDLC 600-2000

SH 8 of 9