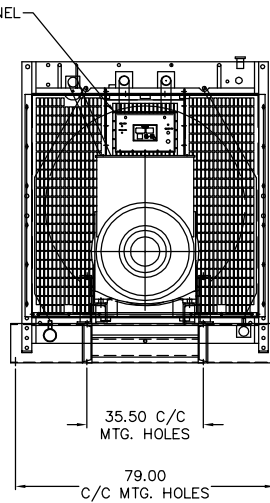
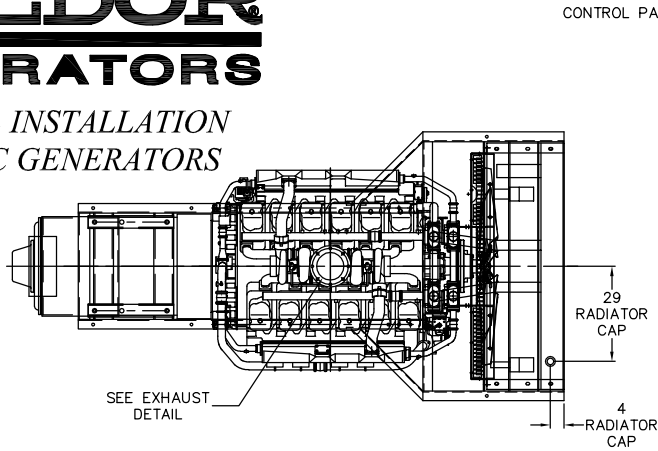


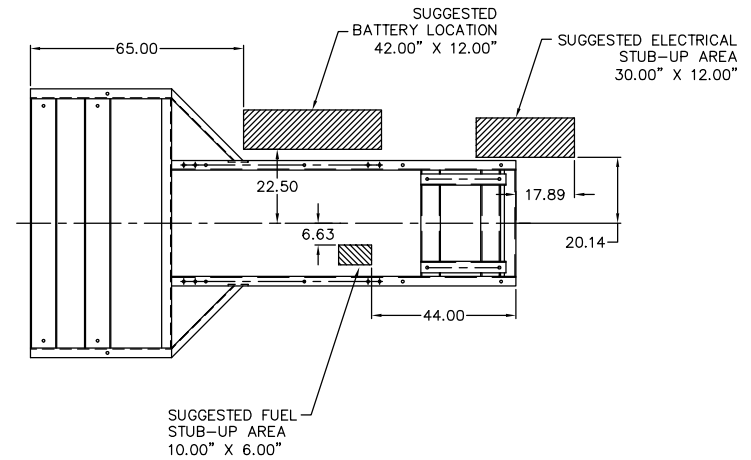
# BALDOR GENERATORS

## GENERAL INSTALLATION FOR IDLC GENERATORS

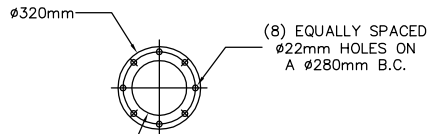
MODEL STYLE	MODEL #	OVERALL LENGTH L	WET WEIGHT (#) ±5%
STANDARD	IDLC800-2M	168	17,410
UL2200	IDLC800-2MU	172	18,725



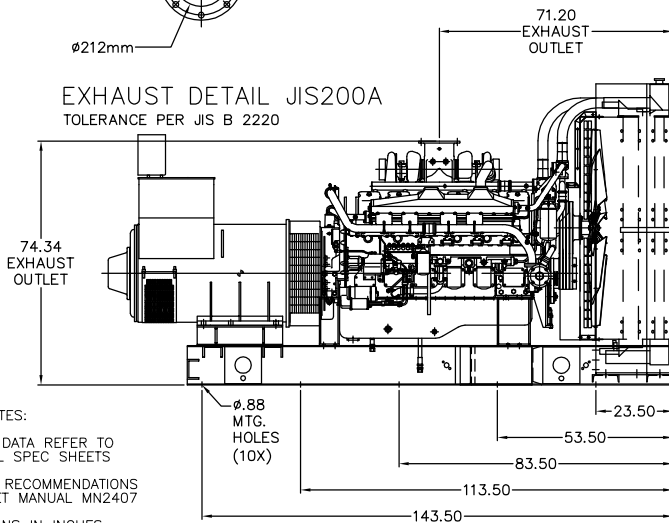
REAR VIEW



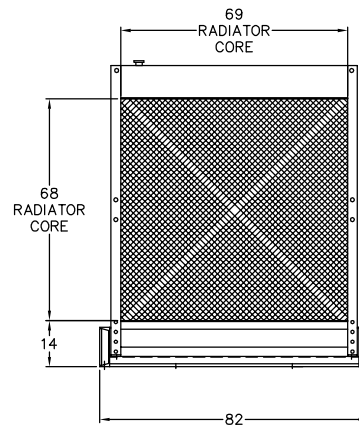
PLAN VIEW OF BASE ONLY



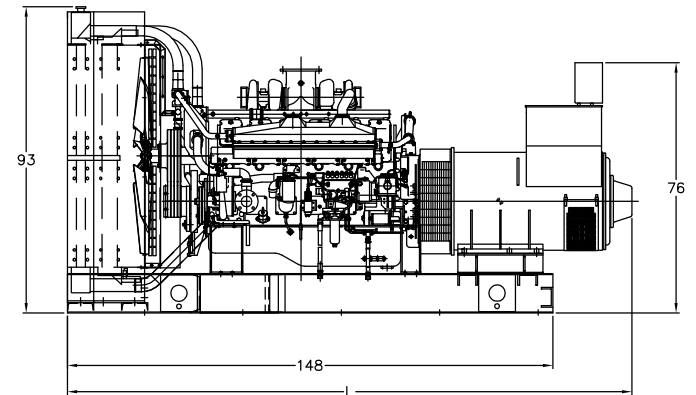
EXHAUST DETAIL JIS200A  
TOLERANCE PER JIS B 2220



RIGHT VIEW



FRONT VIEW



LEFT VIEW

NOTES:

FOR PRODUCT DATA REFER TO BALDOR MODEL SPEC SHEETS

FOR INSTALLATION RECOMMENDATIONS REFER TO GEN SET MANUAL MN2407

ALL DIMENSIONS IN INCHES UNLESS SPECIFIED

ALL WEIGHTS IN POUNDS

DRAWING TO SCALE

TOLERANCES UNLESS OTHERWISE SPECIFIED  
DECIMALS .XX ±.25 FRACTIONS ±1/4

WEIGHTS SHOWN ARE TYPICAL

REV. DESC: NEW		
REV. LTR: -	VERSION: 00	TDR: 000000456525
FILE: \PGA\00012\255	REVISED: 08:57:58 05/28/2008	BY: PGMICB0
MTL: -	TAB: OPEN_800	

**BALDOR • DODGE • RELIANCE**

IDLC 600-2000

SH 7 of 9