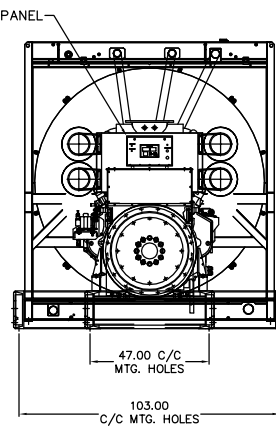
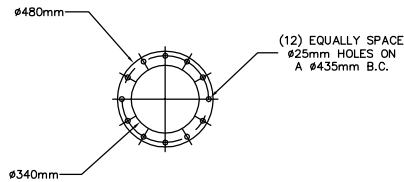
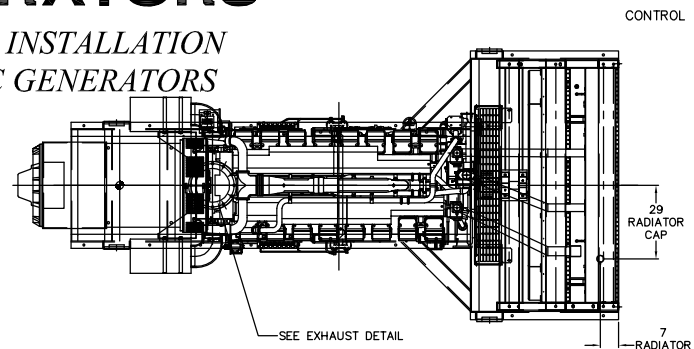


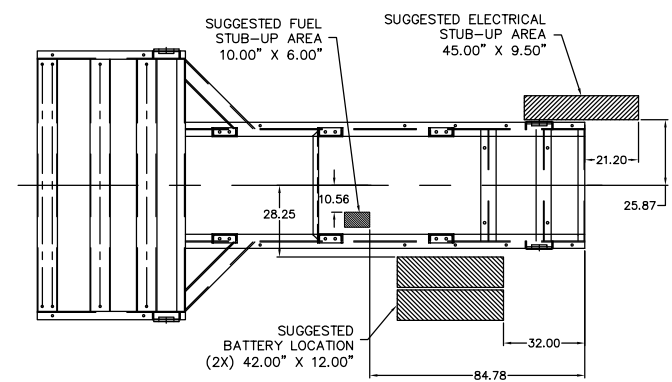
BALDOR GENERATORS

GENERAL INSTALLATION FOR IDLC GENERATORS

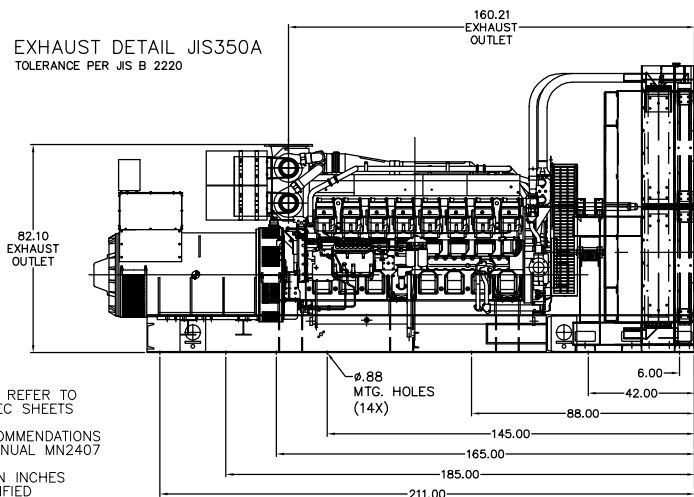
MODEL STYLE	MODEL #	OVERALL LENGTH L	WET WEIGHT (#) ±5%
STANDARD	IDLC2000-2M	236	32,190
UL2200	IDLC2000-2MU	237	32,665



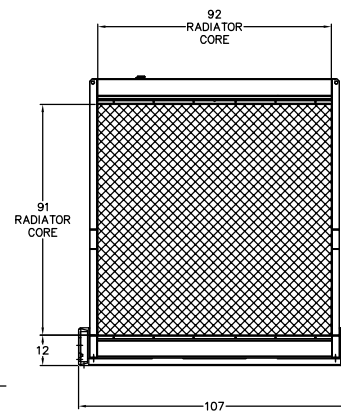
REAR VIEW



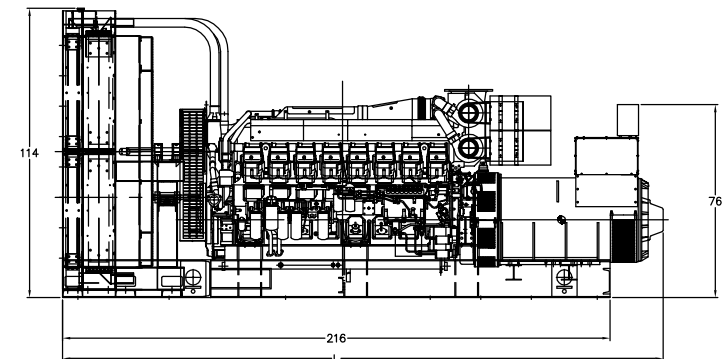
PLAN VIEW OF BASE ONLY



RIGHT VIEW



FRONT VIEW



LEFT VIEW

NOTES:

FOR PRODUCT DATA REFER TO
BALDOR MODEL SPEC SHEETS

FOR INSTALLATION RECOMMENDATIONS
REFER TO GEN SET MANUAL MN2407

ALL DIMENSIONS IN INCHES
UNLESS SPECIFIED

ALL WEIGHTS IN POUNDS

DRAWING TO SCALE

TOLERANCES UNLESS OTHERWISE SPECIFIED
DECIMALS .XX ±.25 FRACTIONS ±1/4

WEIGHTS SHOWN ARE TYPICAL

REV. DESC: NEW		
REV. LTR: -	VERSION: 00	TDR: 000000456525
FILE: \PGA\00012\255	REVISED: 08:57:54 05/28/2008	BY: PGMICB0
MTL: -	TAB: OPEN_2000	

BALDOR • DODGE • RELIANCE

IDLC 600-2000

SH 5 of 9