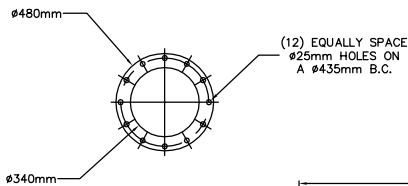
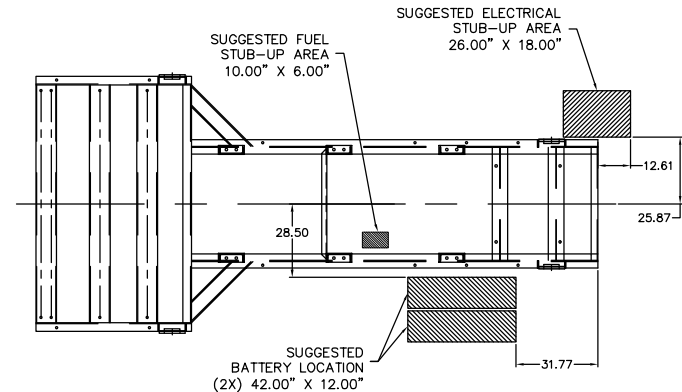
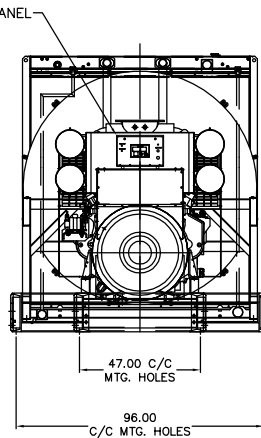
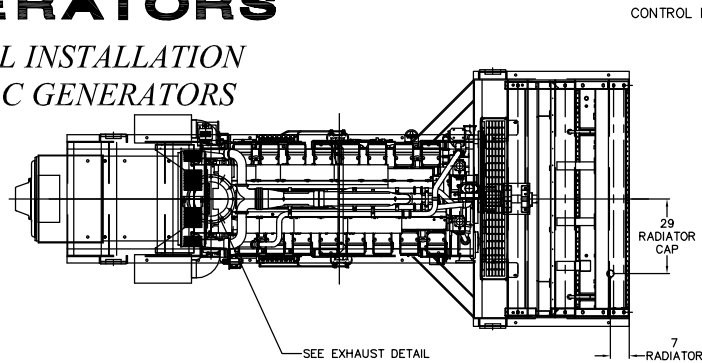


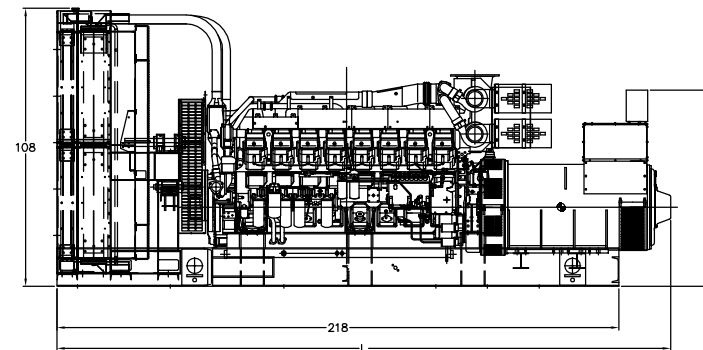
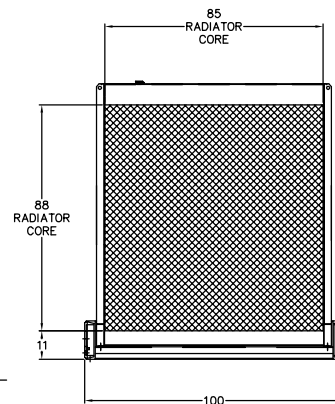
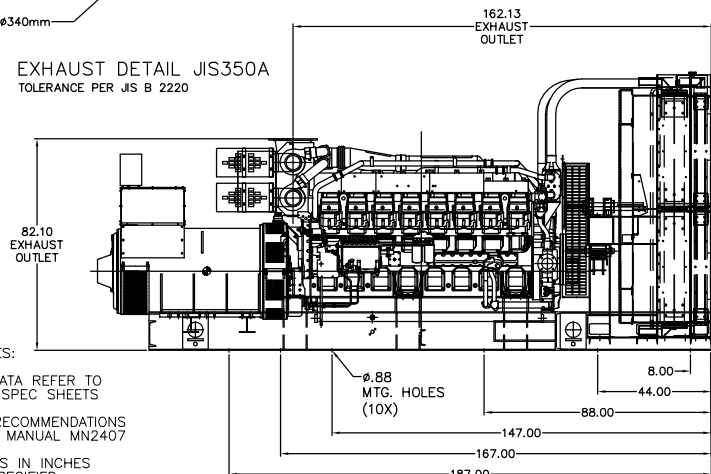
# BALDOR GENERATORS

## GENERAL INSTALLATION FOR IDLC GENERATORS

MODEL STYLE	MODEL #	OVERALL LENGTH L	WET WEIGHT (#) ±5%
STANDARD	IDLC1600-2M	235	30,785
UL2200	IDLC1600-2MU	238	31,935



EXHAUST DETAIL JIS350A  
TOLERANCE PER JIS B 2220



NOTES:

FOR PRODUCT DATA REFER TO BALDOR MODEL SPEC SHEETS

FOR INSTALLATION RECOMMENDATIONS REFER TO GEN SET MANUAL MN2407

ALL DIMENSIONS IN INCHES UNLESS SPECIFIED

ALL WEIGHTS IN POUNDS

DRAWING TO SCALE

TOLERANCES UNLESS OTHERWISE SPECIFIED  
DECIMALS .XX ±.25 FRACTIONS ±1/4

WEIGHTS SHOWN ARE TYPICAL

REV. DESC: NEW		
REV. LTR: -	VERSION: 00	TDR: 000000456525
FILE: \PGA\00012\255	REVISED: 08:57:51 05/28/2008	BY: PGMICB0
MTL: -	TAB: OPEN_1600	

**BALDOR • DODGE • RELIANCE**

IDLC 600-2000

SH 4 of 9