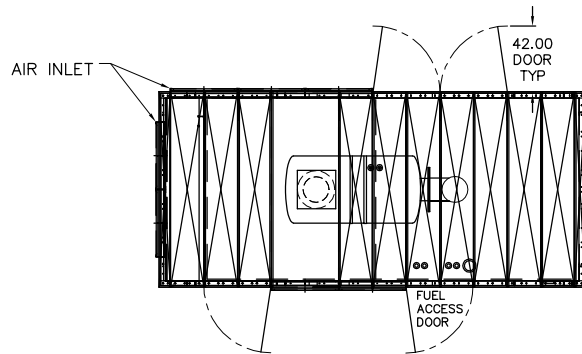


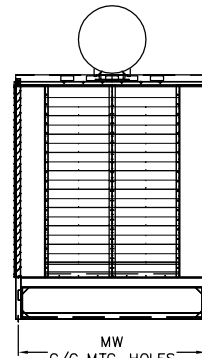
BALDOR GENERATORS

GENERAL INSTALLATION FOR IDLC GENERATORS

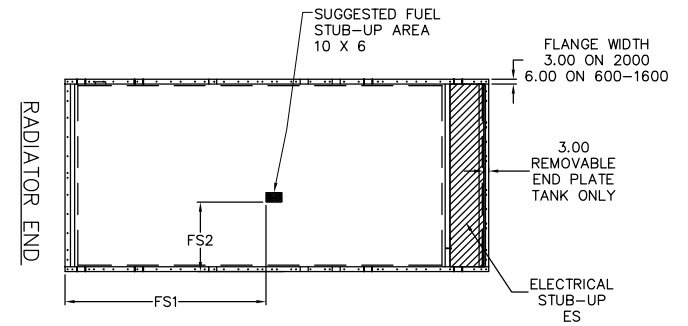
UL2200 MODEL #	MODEL #	OVERALL LENGTH L	OVERALL WIDTH W	OVERALL HEIGHT H	BASE WIDTH BW	MTG HOLE M1	MTG HOLE M2	MTG HOLE M3	MTG HOLE M4	MTG HOLE M5	MTG WIDTH MW	TANK HGT (12 HRS) TH	TANK HGT (24 HRS) TH	FRAME HEIGHT TH	FUEL STUB FS1	FUEL STUB FS2	ELE STUB ES			
IDLC600-2MU	IDLC600-2M	180	85	145	84	29.00	83.00	137.00	NA	NA	75.00	17	32	12	133	24	72 X 21			
IDLC800-2MU	IDLC800-2M	201	97	155	96	27.50	57.50	87.50	117.50	147.50	87.00		30					98	35	84 X 21
IDLC1000-2MU	IDLC1000-2M		110		108						99.00		32							
IDLC1250-2MU	IDLC1250-2M	243		176		10.00	52.00	116.00	169.00	220.00	33		15		125	43	114 X 21			
IDLC1600-2MU	IDLC1600-2M					12.00	92.00	151.00	191.00	111.00	32									
IDLC2000-2MU	IDLC2000-2M	264	122	180	120	10.00	46.00	92.00	169.00	245.00	117.00	26	44							



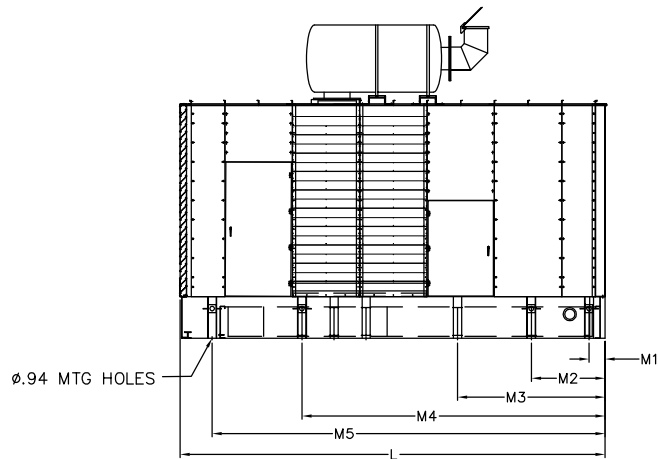
PLAN VIEW



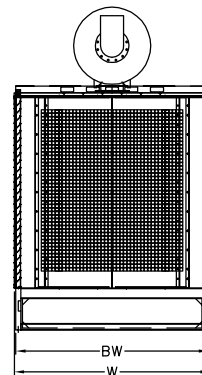
REAR VIEW



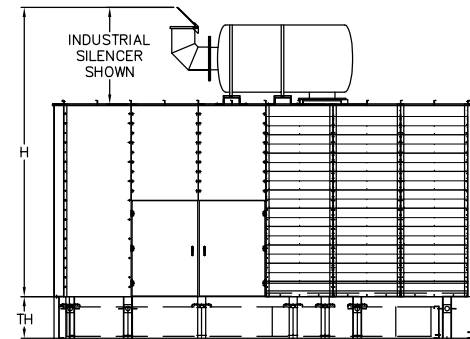
PLAN VIEW of TANK ONLY



RIGHT SIDE VIEW



FRONT VIEW



LEFT SIDE VIEW

NOTES:

FOR PRODUCT DATA REFER TO
BALDOR MODEL SPEC SHEETS

FOR INSTALLATION RECOMMENDATIONS
REFER TO GEN SET MANUAL MN2407

ALL DIMENSIONS IN INCHES
UNLESS SPECIFIED

DRAWING TO SCALE

TOLERANCES UNLESS OTHERWISE SPECIFIED
DECIMALS .XX ±.25 FRACTIONS ±1/4

REV. DESC: NEW		
REV. LTR: -	VERSION: 00	TDR: 000000456525
FILE: \PGA\00012\255	REVISED: 08:39:34 06/05/2008	BY: PGMICB0
MTL: -	TAB: LO_600_2000	

BALDOR • DODGE • RELIANCE

IDLC 600-2000

SH 1 of 9