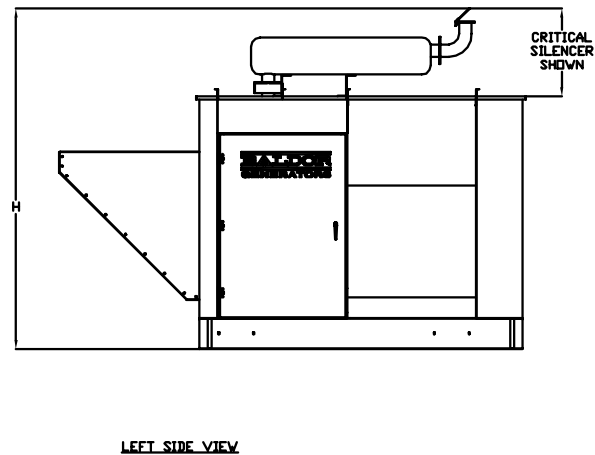
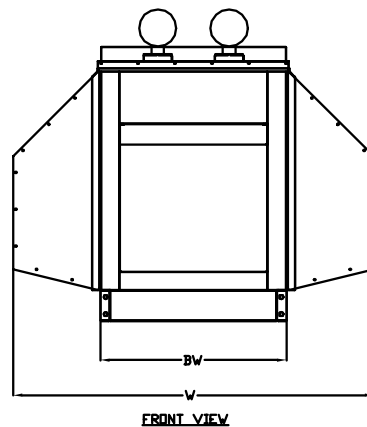
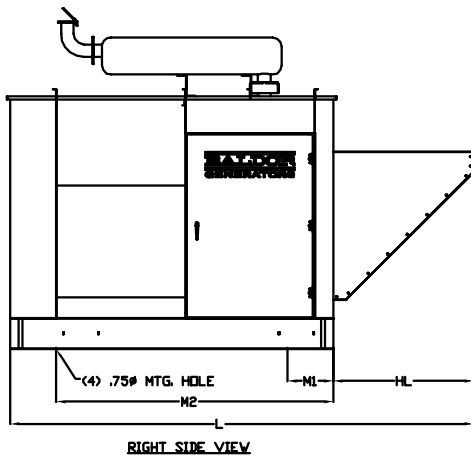
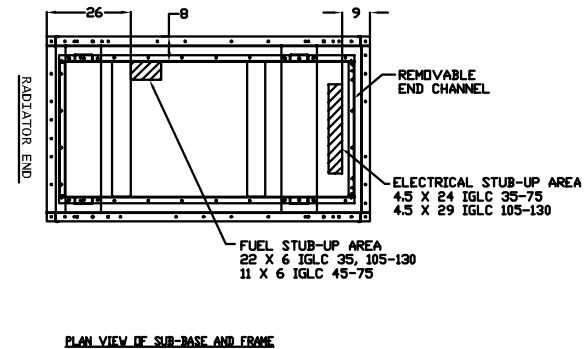
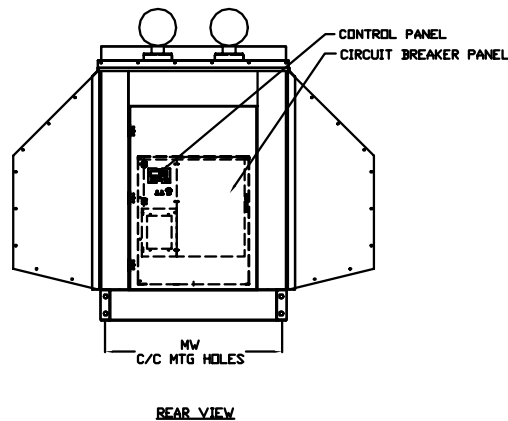
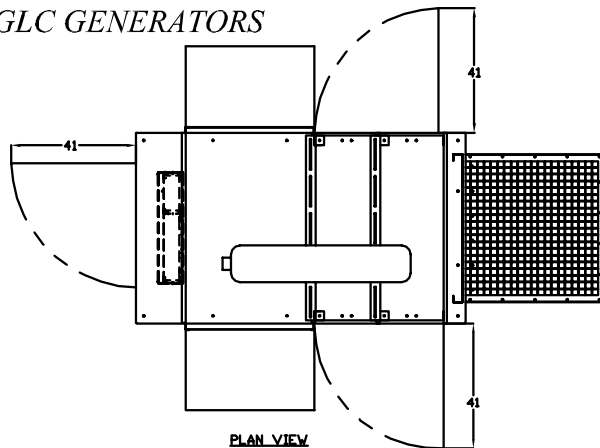


BALDOR GENERATORS

GENERAL INSTALLATION FOR IGLC GENERATORS

UL2200 MODEL	MODEL	OVERALL LENGTH L	OVERALL WIDTH W	OVERALL HEIGHT H	BASE WIDTH BW	HOOD LENGTH HL	MOUNTING HOLE 1 M1	MOUNTING HOLE 2 M2	MOUNTING WIDTH MW
IGLC35-2GU	IGLC35-2G	112	88	76	48	27	15.00	69.00	45.00
IGLC45-2GU	IGLC45-2G	127	104	78	54	56	15.00	78.00	51.00
IGLC55-2GU	IGLC55-2G	133	104	78	54	66	15.00	84.00	51.00
IGLC105-2GU	IGLC105-2G	151	118	102	60	74	15.00	90.00	57.00
IGLC130-2GU	IGLC130-2G								



NOTES:

- FOR PRODUCT DATA REFER TO BALDOR MODEL SPEC SHEETS
- FOR INSTALLATION RECOMMENDATIONS REFER TO GEN SET MANUAL MN2408
- ALL DIMENSIONS IN INCHES
- TOLERANCES UNLESS OTHERWISE SPECIFIED DECIMALS .XX ±.25 FRACTIONS ±1/4
- STRAINER REDUCES THE FUEL STUB-UP AREA BY 4.5" FOR IGLC 35, 6.5" FOR IGLC 45-75 AND 8.0" FOR IGLC 105-130

REV. DESC: IGLC130 WAS IGLC135		
REV. LTR: B	VERSION: 02	TDR: 00000536503
FILE: \PGA\00018\176	REVISED: 04:47:26 04/12/2010	BY: PGMICBO
MTL: -		

BALDOR

SLS-IGLC-35-130-09E

SH 3 of 4