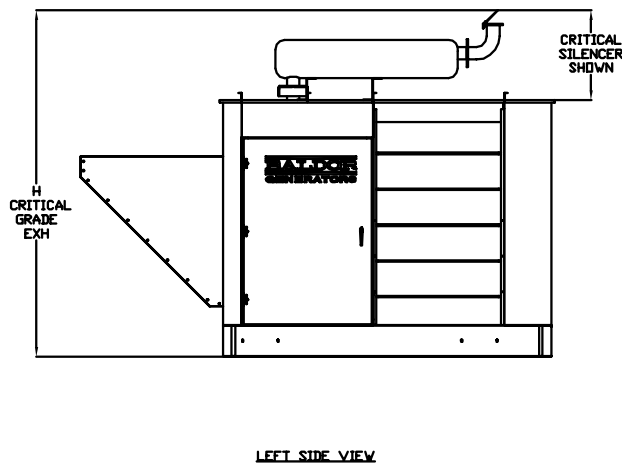
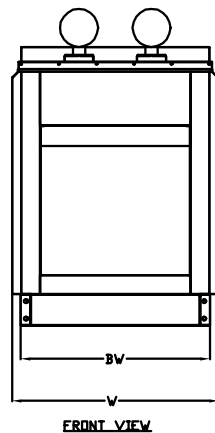
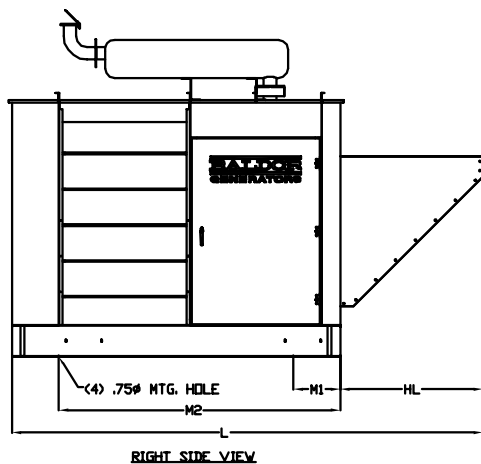
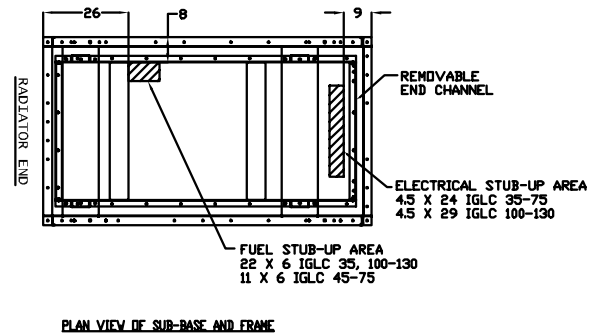
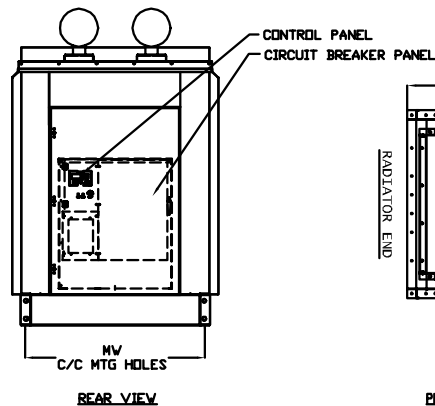
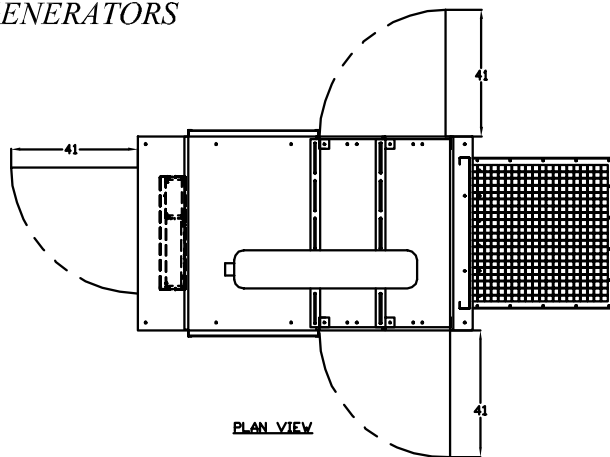


# BALDOR GENERATORS

## GENERAL INSTALLATION FOR IGLC GENERATORS

UL2200 MODEL	MODEL	OVERALL LENGTH L	OVERALL WIDTH W	OVERALL HEIGHT H	BASE WIDTH BW	HOOD LENGTH HL	MOUNTING HOLE 1 M1	MOUNTING HOLE 2 M2	MOUNTING WIDTH MW
IGLC35-2GU	IGLC35-2G	112	54	76	48	27	15.00	69.00	45.00
IGLC45-2GU	IGLC45-2G	127	60	78	54	34 (D)	15.00	78.00	51.00
IGLC55-2GU	IGLC55-2G	133	60	78	54	34 (D)	15.00	84.00	51.00
IGLC100-2GU	IGLC100-2G								
IGLC105-2GU	IGLC105-2G	151	66	102	60	74	15.00	90.00	57.00
IGLC130-2GU	IGLC130-2G								



NOTES:

- FOR PRODUCT DATA REFER TO BALDOR MODEL SPEC SHEETS
- FOR INSTALLATION RECOMMENDATIONS REFER TO GEN SET MANUAL MN2408
- ALL DIMENSIONS IN INCHES
- TOLERANCES UNLESS OTHERWISE SPECIFIED  
DECIMALS .XX ±.25 FRACTIONS ±1/4
- STRAINER REDUCES THE FUEL STUB-UP AREA BY 4.5" FOR IGLC 35, 6.5" FOR IGLC 45-75 AND 8.0" FOR IGLC 100-130

REV. DESC: RE-ADD LEDGER TO SHEET (1 OF 4) PPA	VERSION: 05	TDR: 00000712059
REV. LTR: E	REVISED: 09:01:57 09/12/2011	BY: PGMICBO
FILE: \PGA\00018\176	MTL: -	

**BALDOR**

SLS-IGLC-35-130-09E

SH 2 of 4