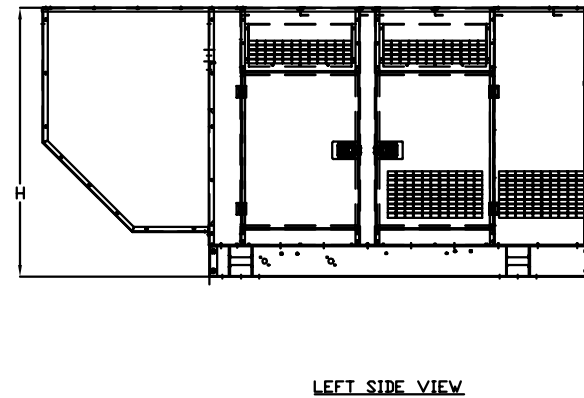
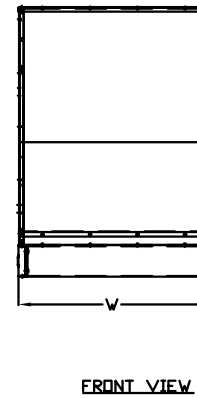
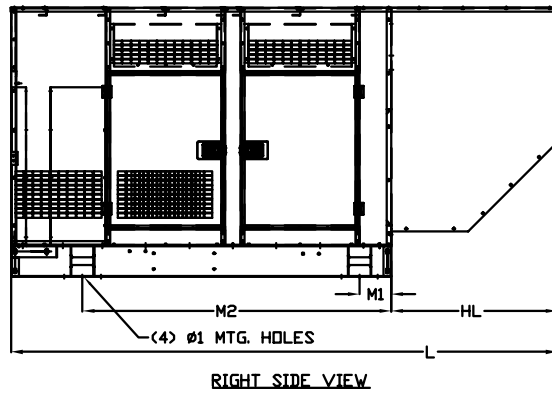
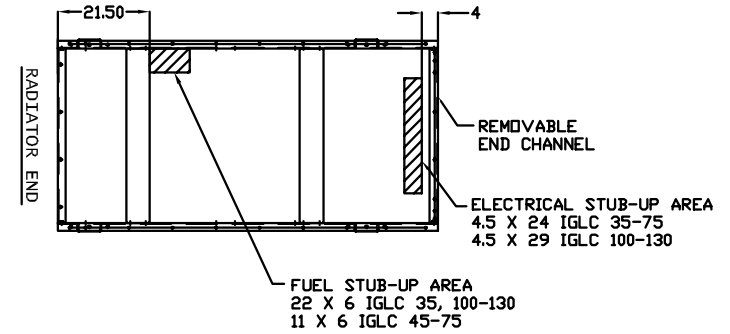
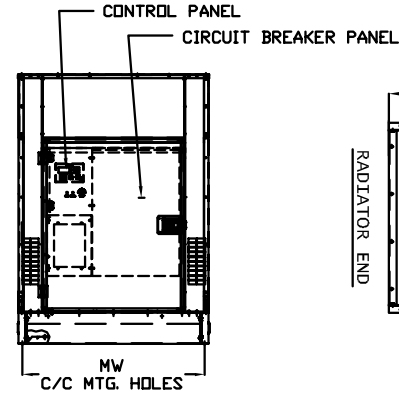
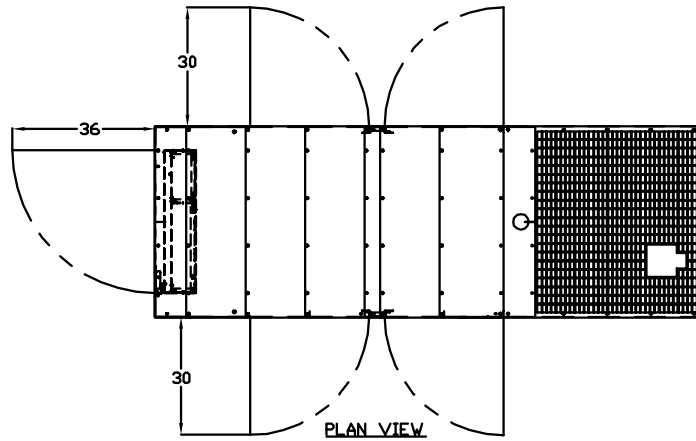


| UL2200 MODEL # | MODEL # | OVERALL LENGTH L | OVERALL WIDTH W | OVERALL HEIGHT H | HOOD LENGTH HL | MOUNTING HOLES 1 M1 | MOUNTING HOLES 2 M2 | MOUNTING WIDTH MW |
|----------------|------------|------------------|-----------------|------------------|----------------|---------------------|---------------------|-------------------|
| IGLC35-2GU | IGLC35-2G | 97 | 36 | 48 | 21 | 10.00 | 58.00 | 34.00 |
| IGLC45-2GU | IGLC45-2G | 105 | 42 | 56 | | | 67.00 | 40.00 |
| IGLC55-2GU | IGLC55-2G | 111 | | | | | 73.00 | |
| IGLC100-2GU | IGLC100-2G | 144 | 48 | 68 | 48 | 8.00 | 78.00 | 46.00 |
| IGLC105-2GU | IGLC105-2G | 138 | | | | | | |
| IGLC130-2GU | IGLC130-2G | | | | | | | |



| | | |
|--|------------------------------|------------------|
| REV. DESC: RE-ADD LEDGER TO SHEET (1 OF 4) PPA | VERSION: 05 | TDR: 00000712059 |
| REV. LTR: E | REVISED: 09:01:43 09/12/2011 | BY: PGMICBO |
| FILE: \PGA\00018\176 | | |
| MTL: - | | |

BALDOR

SLS-IGLC-35-130-09E

SH 1 of 4