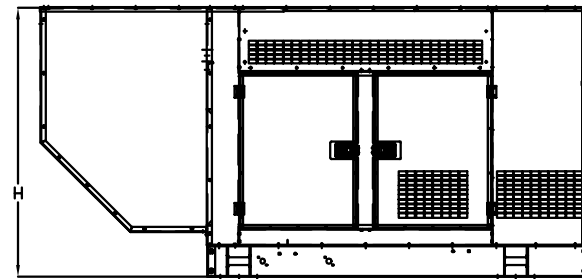
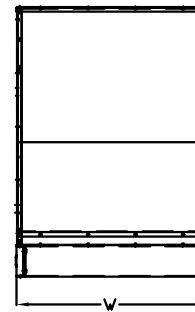
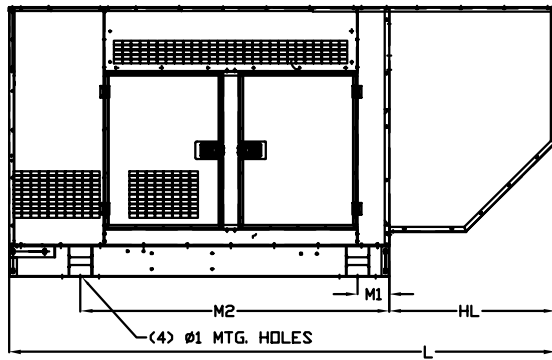
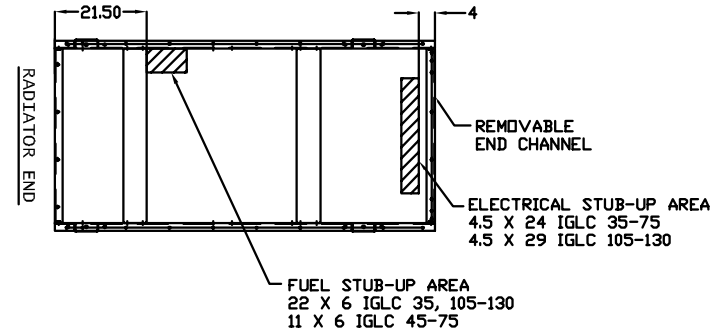
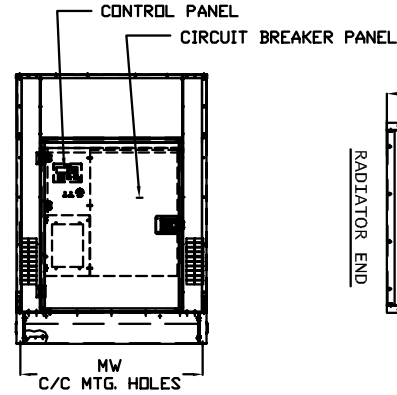
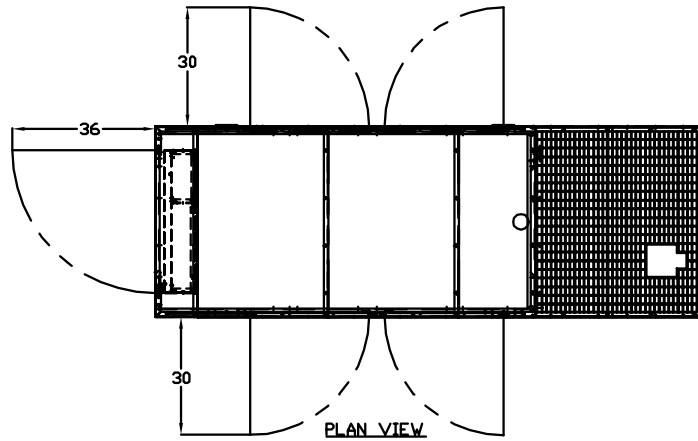


BALDOR GENERATORS

GENERAL INSTALLATION FOR IGLC GENERATORS

UL2200 MODEL #	MODEL #	OVERALL LENGTH L	OVERALL WIDTH W	OVERALL HEIGHT H	HOOD LENGTH HL	MOUNTING HOLES 1 M1	MOUNTING HOLES 2 M2	MOUNTING WIDTH MW
IGLC35-2GU	IGLC35-2G	97	36	48	21	10.00	58.00	34.00
IGLC45-2GU	IGLC45-2G	105	42	56			67.00	40.00
IGLC55-2GU	IGLC55-2G	111					73.00	
IGLC105-2GU	IGLC105-2G	138	48	68	42	8.00	78.00	46.00
IGLC130-2GU	IGLC130-2G							



NOTES:

- FOR PRODUCT DATA REFER TO BALDOR MODEL SPEC SHEETS
- FOR INSTALLATION RECOMMENDATIONS REFER TO GEN SET MANUAL MN2408
- ALL DIMENSIONS IN INCHES
- TOLERANCES UNLESS OTHERWISE SPECIFIED
DECIMALS .XX ±.25 FRACTIONS ±1/4
- STRAINER REDUCES THE FUEL STUB-UP AREA BY 4.5" FOR IGLC 35, 6.3" FOR IGLC 45-75 AND 8.0" FOR IGLC 105-130

REV. DESC: IGLC130 WAS IGLC135		
REV. LTR: B	VERSION: 02	TDR: 000000536503
FILE: \PGA\00018\176	REVISED: 04:47:22 04/12/2010	BY: PGMICBO
MTL: -		

BALDOR

SLS-IGLC-35-130-09E

SH 1 of 4