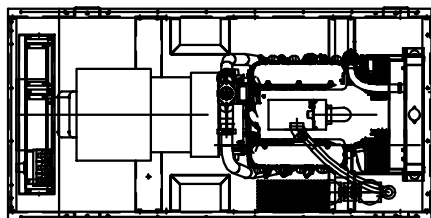


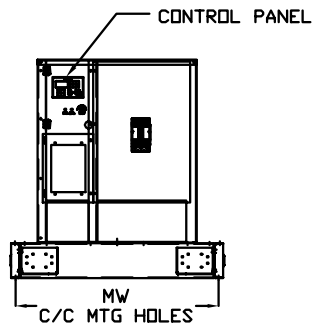
BALDOR GENERATORS

GENERAL INSTALLATION FOR IGLC GENERATORS

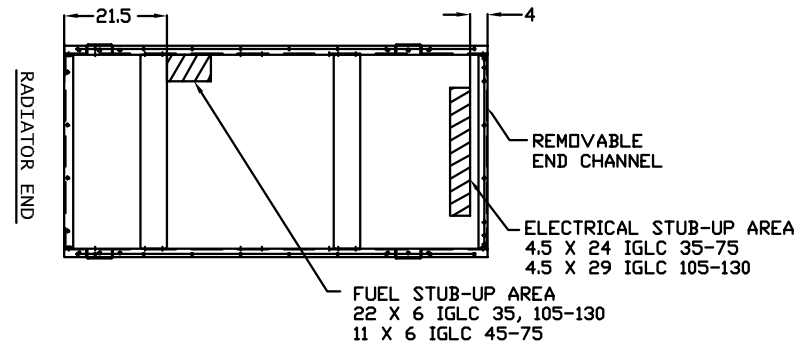
UL2200 MODEL #	MODEL #	OVERALL LENGTH L	OVERALL WIDTH W	OVERALL HEIGHT H	CORE HEIGHT 1 CH1	CORE HEIGHT 2 CH2	CORE WIDTH CW	MOUNTING HOLES 1 M1	MOUNTING HOLES 2 M2	MOUNTING WIDTH MW	WET WEIGHT (#) ±5%
IGLC35-2GU	IGLC35-2G	76	36	36	14	18	19	10.00	58.00	34.00	1340
IGLC45-2GU	IGLC45-2G	84	42	45	11	25	23		67.00	40.00	1592
IGLC55-2GU	IGLC55-2G	90		40					73.00		2024
IGLC75-2GU	IGLC75-2G	96	48	56	14	28	34	8.00	78.00	46.00	2103
IGLC105-2GU	IGLC105-2G										2615
IGLC130-2GU	IGLC130-2G										2830



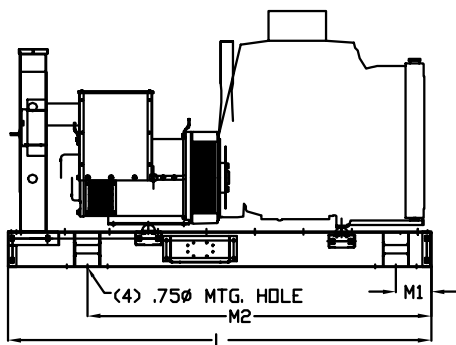
PLAN VIEW



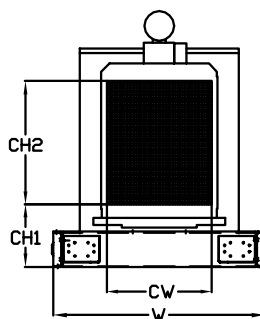
REAR VIEW



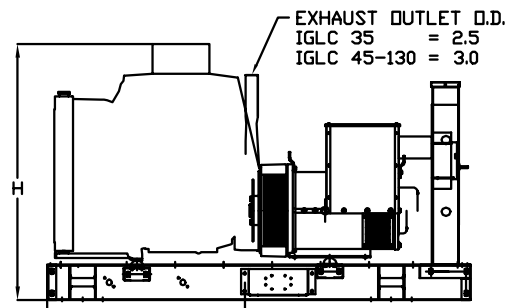
PLAN VIEW: STUB-UPS ONLY



RIGHT SIDE VIEW



FRONT VIEW



LEFT SIDE VIEW

NOTES:

- FOR PRODUCT DATA REFER TO BALDOR MODEL SPEC SHEETS
- FOR INSTALLATION RECOMMENDATIONS REFER TO GEN SET MANUAL MN2408
- ALL DIMENSIONS IN INCHES
- TOLERANCES UNLESS OTHERWISE SPECIFIED
DECIMALS .XX ±.25 FRACTIONS ±1/4
- STRAINER REDUCES THE FUEL STUB-UP AREA BY 4.5" FOR IGLC 35, 6.5" FOR IGLC 45-75 AND 8.0" FOR IGLC 105-130
- ALL WEIGHTS IN POUNDS

REV. DESC: IGLC130 WAS IGLC135		
REV. LTR: B	VERSION: 02	TDR: 00000536503
FILE: \PGA\00018\176	REVISED: 04:47:28 04/12/2010	BY: PGMICBO
MTL: -		

BALDOR

SLS-IGLC-35-130-09E

SH 4 of 4