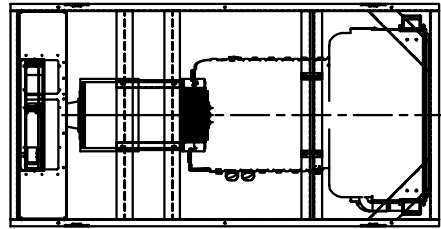


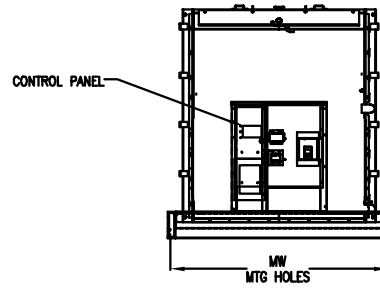
# BALDOR GENERATORS

## GENERAL INSTALLATION FOR IGLC GENERATORS

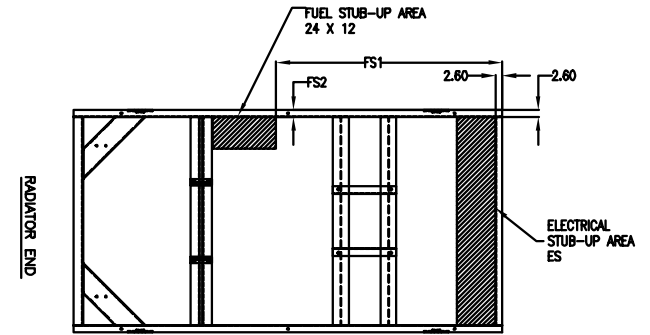
MODEL #	OVERALL LENGTH L	OVERALL WIDTH W	OVERALL HEIGHT H	CORE HEIGHT 1 CH1	CORE HEIGHT 2 CH2	CORE WIDTH CW	MOUNTING HOLE 1 M1	MOUNTING HOLE 2 M2	MOUNTING HOLE 3 M3	MOUNTING WIDTH MW	FUEL STUB FS1	FUEL STUB FS2	ELE STUB ES	WET WEIGHT ± 5%
IGLC155-2N	118	48	66	8	39	38	18.00	100.00	NA	45.50	57	2.25	12X44	4345
IGLC210-2N	131	60	75	8	38	42	18.00	113.00	NA	57.50	60	2.25	21X66	5420
IGLC280-2N	137	72	79	8	58	53	18.00	60.00	112.00	69.50	62	2.60	21X66	8030
IGLC350-2N	143	72	97	8	76	55	18.00	71.00	125.00	69.50	66	2.60	21X77	9070
IGLC420-2N	162	84	97	8	76	63	18.00	81.00	144.00	81.50	85	2.60	21X77	9960



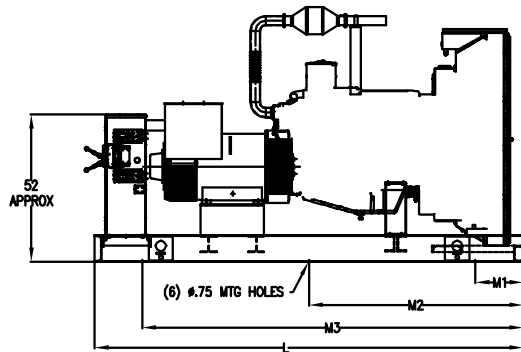
PLAN VIEW



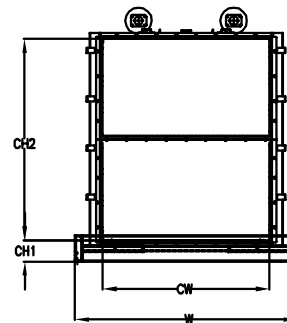
REAR VIEW



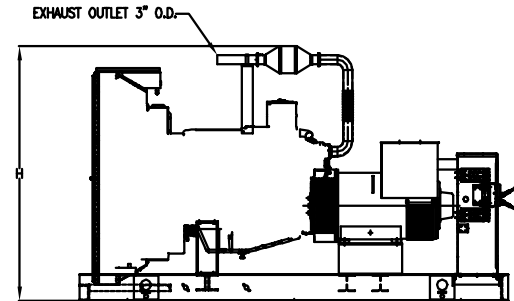
PLAN VIEW OF FRAME ONLY



RIGHT SIDE VIEW



FRONT VIEW



LEFT SIDE VIEW

NOTES:

- FOR PRODUCT DATA REFER TO BALDOR MODEL SPEC SHEETS
- FOR INSTALLATION RECOMMENDATIONS REFER TO GEN SET MANUAL MN2422
- ALL DIMENSIONS IN INCHES
- TOLERANCES UNLESS OTHERWISE SPECIFIED DECIMALS .XX ±.25 FRACTIONS ±1/4
- STRAINER REDUCES THE FUEL STUB-UP AREA BY 4.5" FOR IGLC 35, 6.5" FOR IGLC 45-75 AND 8.0" FOR IGLC 105-130
- ALL WEIGHTS IN POUNDS

REV. DESC: ADD EXH OUTLET		
REV. LTR: A	VERSION: 01	TDR: 00000532804
FILE: \PGA\00016\767	REVISED: 03:50:38 03/16/2010	BY: PGMICB0
MTL: -		

**BALDOR**

IGLC-155-420-09E-OPEN

SH 1 of 1