

REFERENCE	CODE	A
BSM50A/N-1	07	5.07 [128.7]
BSM50A/N-2	15	6.07 [154.1]
BSM50A/N-3	23	7.07 [179.5]

TOL UNLESS SPEC.
 2 PLC INCH DEC. =
 ±.06" [1.5mm]
 ANGLES ±0.5°

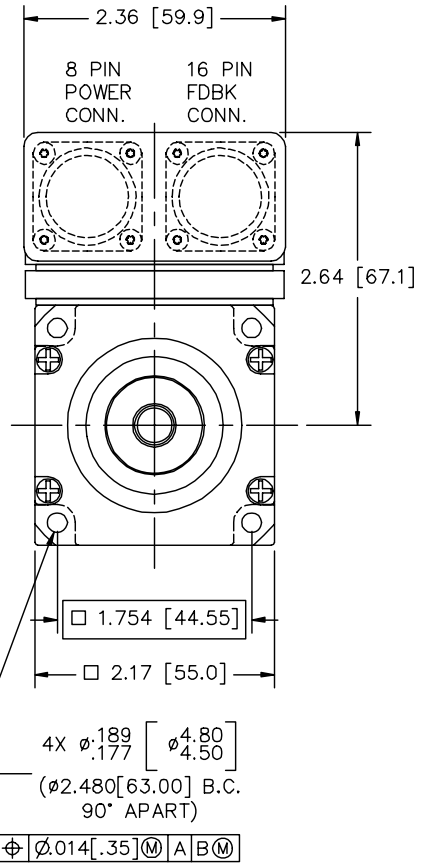
.35461 [9.0070]
 .35425 [8.9980]

∠.0012 [.030] B

A

1.5752 [40.011]
 1.5746 [39.995]

∠.0031 [.080] A



4X Ø.189 [Ø4.80]
 Ø.177 [Ø4.50]

(Ø2.480 [63.00] B.C.
 90° APART)

∠ Ø0.14 [Ø.35] M A B M

CUSTOMER IS RESPONSIBLE FOR DETERMINING THAT MOTOR PERFORMANCE IS SUITABLE IN THE APPLICATION.

REV. DESC: ADD PIN OF CONNECTORS			
REV. LTR: C	BY: FN	REVISED: 10: 41: 51 08/25/2004	TDR: 341472
S5LYP047		FILE: AAA00077427	REF: S5LYP047
MTL: -			

BALDOR ELECTRIC Co.

BSM50, ENCODER & M23 METRIC CONNECTORS