

HTD SPROCKET



HTD synchronous belt drives combine the positive timing action of gears with the flexibility, speed and low noise level of belts. Maska HTD sprockets are manufactured in various sizes, dimensions and capacities to meet industry requirements – from speeds as low as 10 RPM to speeds over 5,000 RPM and horsepower ratings from fractional to more than 250 HP.

DID YOU KNOW THAT...

- All parts are completely machined in cast iron; some parts made from steel
- Positive, non-slip drive
- No lubrication necessary, non-stretch
- Smooth operation: no chain drive that results in vibration and speed variation
- Clean operation, long-life expectancy, low maintenance
- Quiet; no metal-to-metal contact

IMPORTANT REMINDER



- **Maska does not recommend using HTD sprockets with QD bushings that do not have a keyseat.**

- **The synchronous sprockets detailed in the following tables are all stock sizes. All dimensions include the sprocket with the QD bushing in place and are in inches.**

HOW TO ORDER

EXAMPLE: **P64-8M-50-SK**

P64 **8M** **50** **SK**

P64: NUMBER OF TEETH (64)

8M: TOOTH PITCH (8mm)

50: HIGH TORQUE BELT WIDTH (50mm)

SK: HUB SIZE RELATED TO QD BUSHING

1. All Charts: The type of sheave construction is indicated in the column entitled « T ». The number refers to the drawing and the letter as follows: A = arms; B = block; W = web; F = flanges
2. All dimensions are to the closest fraction.
3. Weight for all items is approximate.

8 MM PITCH X 20 MM

Warehouse Innovation

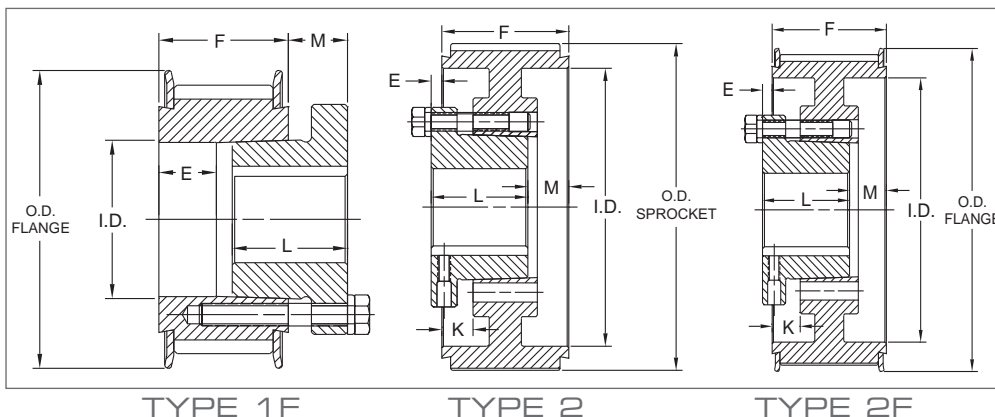
Color-coded product labels for easy stock retrieval on shelves

NOTE: these products are color-coded RED

DIMENSIONS

Part No	List Price \$	Bushing	Number of Teeth	Diameters			I.D.	Type	Dimensions (inches)				Bore Range		Wt
				Pitch Diam.	O.D. Sprocket	O.D. Flange			E	K	L	M	Min.	Max.	
For Belts 3/4" (20mm) wide - 8mm pitch (8M-20) - Face width (F) = 1 1/8"															
*P24-8M-20-JA	53.00	JA	24	2.406	2.352	2.60	1.34	1B F	33/64	...	1	41/64	1/2	1 1/4	0.85
P26-8M-20-JA	54.00	JA	26	2.607	2.553	2.76	1.34	1B F	33/64	...	1	41/64	1/2	1 1/4	0.95
*P28-8M-20-L	55.00	L	28	2.807	2.759	3.11	1.60	1B F	17/32	...	1 11/32	5/16	1/2	1 1/2	1.15
P30-8M-20-L	57.00	L	30	3.008	2.958	3.25	1.60	1B F	17/32	...	1 11/32	5/16	1/2	1 1/2	1.40
P32-8M-20-L	59.00	L	32	3.208	3.156	3.43	2.56	2B F	5/16	7/32	1 11/32	3/32	1/2	1 1/2	1.35
P34-8M-20-SH	60.00	SH	34	3.409	3.355	3.58	2.75	2B F	1/4	3/8	1 1/4	1/8	1/2	1 11/16	1.30
P36-8M-20-SH	62.00	SH	36	3.609	3.555	4.02	2.82	2B F	1/4	3/8	1 1/4	1/8	1/2	1 11/16	1.65
P38-8M-20-SH	64.00	SH	38	3.810	3.756	4.17	3.00	2B F	1/4	3/8	1 1/4	1/8	1/2	1 11/16	1.85
P40-8M-20-SH	68.00	SH	40	4.010	3.956	4.41	3.00	2B F	1/4	3/8	1 1/4	1/8	1/2	1 11/16	2.20
P44-8M-20-SDS	79.00	SDS	44	4.411	4.357	4.73	3.50	2B F	5/16	3/8	1 5/16	1/8	1/2	2	2.55
P48-8M-20-SDS	92.00	SDS	48	4.812	4.758	5.04	3.80	2B F	5/16	3/8	1 5/16	1/8	1/2	2	3.10
P56-8M-20-SDS	102.00	SDS	56	5.614	5.560	5.91	4.60	2W F	5/16	3/8	1 5/16	1/8	1/2	2	4.00
P64-8M-20-SDS	125.00	SDS	64	6.416	6.362	6.61	5.40	2W F	7/32	15/32	1 5/16	1/8	1/2	2	5.20
P72-8M-20-SDS	128.00	SDS	72	7.218	7.164	7.56	6.20	2W F	7/32	15/32	1 5/16	1/8	1/2	2	7.25
P80-8M-20-SDS	138.00	SDS	80	8.020	7.966	8.35	6.90	2W F	7/32	15/32	1 5/16	1/8	1/2	2	8.80
P90-8M-20-SDS	142.00	SDS	90	9.023	8.969	...	7.90	2W	5/16	3/8	1 5/16	1/8	1/2	2	11.15

* These parts are made of steel.



116

8 MM PITCH X 30 MM

Warehouse Innovation

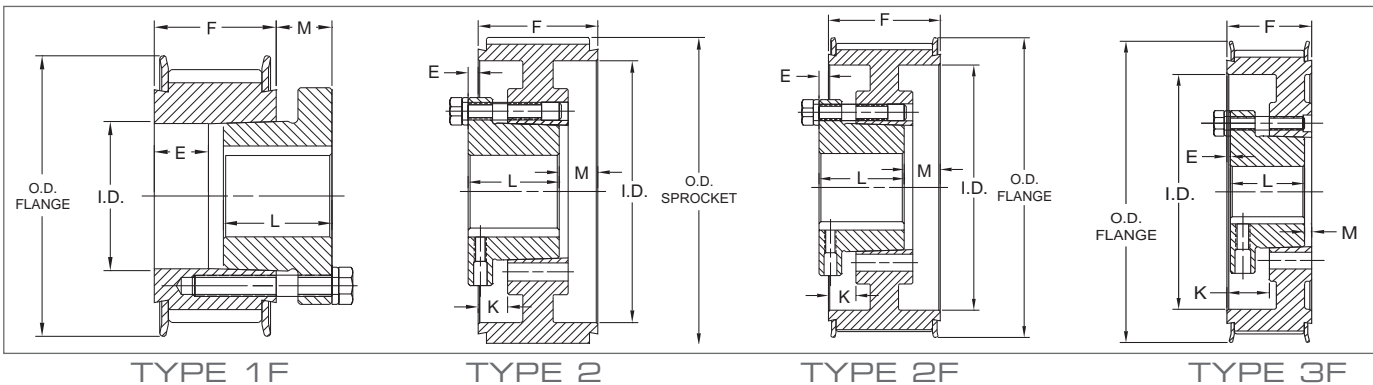
Color-coded product labels for easy stock retrieval on shelves

NOTE: these products are color-coded RED

DIMENSIONS

Part No	List Price \$	Bushing	Number of Teeth	Diameters			I.D.	Type	Dimensions (inches)				Bore Range		Wt
				Pitch Diam.	O.D. Sprocket	O.D. Flange			E	K	L	M	Min.	Max.	
For Belts 1 3/16" (30mm) wide - 8mm pitch (8M-30) - Face width (F) = 1 1/2"															
*P24-8M-30-JA	54.00	JA	24	2.406	2.352	2.60	1.34	1B F	33/64	...	1	1 1/64	1/2	1 1/4	1.15
P26-8M-30-JA	56.00	JA	26	2.607	2.553	2.76	1.34	1B F	33/64	...	1	1 1/64	1/2	1 1/4	1.25
*P28-8M-30-L	59.00	L	28	2.807	2.759	3.11	1.60	1B F	17/32	...	1 11/32	11/16	1/2	1 1/2	1.40
P30-8M-30-L	60.00	L	30	3.008	2.958	3.25	1.60	1B F	17/32	...	1 11/32	11/16	1/2	1 1/2	1.70
P32-8M-30-L	62.00	L	32	3.208	3.156	3.43	2.56	3B F	1/16	19/32	1 11/32	3/32	1/2	1 1/2	1.60
P34-8M-30-SH	63.00	SH	34	3.409	3.355	3.58	2.75	3B F	1/8	3/4	1 1/4	1/8	1/2	1 11/16	1.55
P36-8M-30-SH	68.00	SH	36	3.609	3.555	4.02	2.82	3B F	1/8	3/4	1 1/4	1/8	1/2	1 11/16	2.00
P38-8M-30-SH	70.00	SH	38	3.810	3.756	4.17	3.00	3B F	1/8	3/4	1 1/4	1/8	1/2	1 11/16	2.15
P40-8M-30-SH	78.00	SH	40	4.010	3.956	4.41	3.00	3B F	1/8	3/4	1 1/4	1/8	1/2	1 11/16	2.65
P44-8M-30-SDS	86.00	SDS	44	4.411	4.357	4.73	3.50	3B F	1/16	3/4	1 5/16	1/8	1/2	2	2.90
P48-8M-30-SDS	93.00	SDS	48	4.812	4.758	5.04	3.80	3B F	1/16	3/4	1 5/16	1/8	1/2	2	3.55
P56-8M-30-SDS	104.00	SDS	56	5.614	5.560	5.91	4.60	3W F	1/16	3/4	1 5/16	1/8	1/2	2	4.65
P64-8M-30-SK	126.00	SK	64	6.416	6.362	6.61	5.40	2B F	15/32	11/32	1 7/8	3/16	1/2	2 5/8	8.45
P72-8M-30-SK	138.00	SK	72	7.218	7.164	7.56	6.20	2W F	15/32	11/32	1 7/8	3/16	1/2	2 5/8	8.75
P80-8M-30-SK	142.00	SK	80	8.020	7.966	8.35	6.90	2W F	15/32	11/32	1 7/8	3/16	1/2	2 5/8	10.80
P90-8M-30-SK	146.00	SK	90	9.023	8.969	...	7.90	2W	9/16	1/4	1 7/8	3/16	1/2	2 5/8	13.00
P112-8M-30-SK	186.00	SK	112	11.229	11.175	...	10.00	2A	9/16	1/4	1 7/8	3/16	1/2	2 5/8	14.25

* These parts are made of steel.



8 MM PITCH X 50 MM

Warehouse Innovation

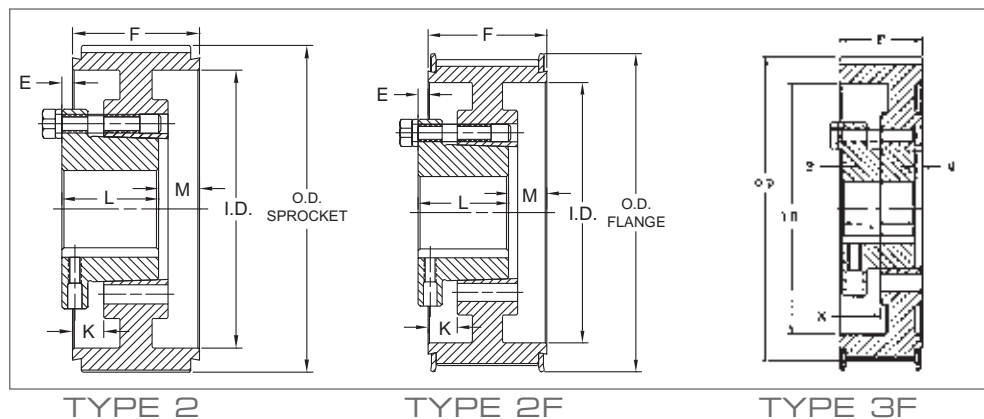
Color-coded product labels for easy stock retrieval on shelves

NOTE: these products are color-coded RED

DIMENSIONS

Part No	List Price \$	Bushing	Number of Teeth	Diameters			Type	Dimensions (inches)				Bore Range		Wt	
				Pitch Diam.	O.D. Sprocket	O.D. Flange		I.D.	E	K	L	M	Min.		Max.
For Belts 2" (50mm) wide - 8mm pitch (8M-50) - Face width (F) = 2 3/8"															
P28-8M-50-JA	80.00	JA	28	2.807	2.759	3.11	2.09	3B F	31/64	1	1	57/64	1/2	1 1/4	1.60
P30-8M-50-JA	82.00	JA	30	3.008	2.958	3.25	2.18	3B F	31/64	1	1	57/64	1/2	1 1/4	1.95
P32-8M-50-L	83.00	L	32	3.208	3.156	3.43	2.56	3B F	11/32	7/8	1 11/32	11/16	1/2	1 1/2	2.05
P34-8M-50-SH	84.00	SH	34	3.409	3.355	3.58	2.75	2B F	1/8	1/2	1 1/4	1 1/4	1/2	1 11/16	2.00
P36-8M-50-SH	85.00	SH	36	3.609	3.555	4.02	2.82	2B F	1/8	1/2	1 1/4	1 1/4	1/2	1 11/16	2.65
P38-8M-50-SH	86.00	SH	38	3.810	3.756	4.17	3.00	2B F	1/8	1/2	1 1/4	1 1/4	1/2	1 11/16	2.85
P40-8M-50-SH	88.00	SH	40	4.010	3.956	4.41	3.00	2B F	1/8	1/2	1 1/4	1 1/4	1/2	1 11/16	3.60
P44-8M-50-SD	94.00	SD	44	4.411	4.357	4.73	3.50	2B F	1/8	9/16	1 13/16	11/16	1/2	2	4.55
P48-8M-50-SD	98.00	SD	48	4.812	4.758	5.04	3.80	2B F	1/8	9/16	1 13/16	11/16	1/2	2	5.80
P56-8M-50-SK	115.00	SK	56	5.614	5.560	5.91	4.60	2B F	1/4	9/16	1 7/8	3/4	1/2	2 5/8	7.30
P64-8M-50-SK	130.00	SK	64	6.416	6.362	6.61	5.40	2W F	13/64	39/64	1 7/8	51/64	1/2	2 5/8	8.60
P72-8M-50-SK	144.00	SK	72	7.218	7.164	7.56	6.20	2W F	13/64	39/64	1 7/8	51/64	1/2	2 5/8	10.70
P80-8M-50-SF	155.00	SF	80	8.020	7.966	8.35	6.90	2W F	13/64	39/64	2	43/64	1/2	2 15/16	14.15
P90-8M-50-SF	186.00	SF	90	9.023	8.969	...	7.90	2W	1/4	9/16	2	5/8	1/2	2 15/16	16.70
P112-8M-50-SF	234.00	SF	112	11.229	11.175	...	10.00	2A	1/4	9/16	2	5/8	1/2	2 15/16	21.65
P144-8M-50-E	373.00	E	144	14.437	14.383	...	13.20	2A	11/16	3/8	2 5/8	7/16	7/8	3 1/2	31.75
P192-8M-50-E	432.00	E	192	19.249	19.195	...	18.00	2A	11/16	3/8	2 5/8	7/16	7/8	3 1/2	50.80

SYNCHRONOUS DRIVES



8 MM PITCH X 85 MM

Warehouse Innovation

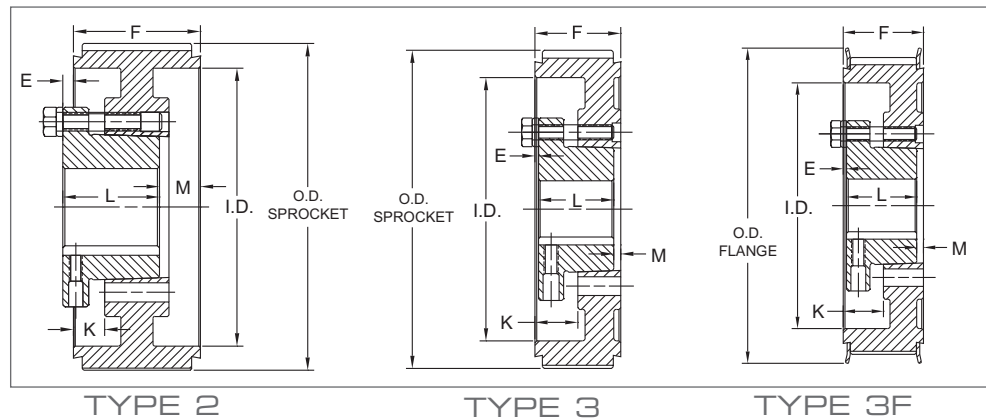
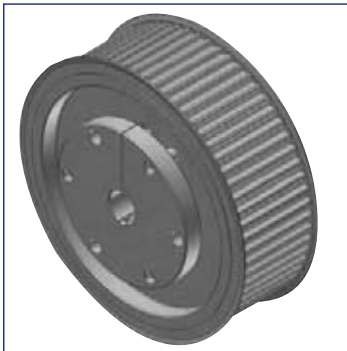
Color-coded product labels for easy stock retrieval on shelves

NOTE: these products are color-coded RED

DIMENSIONS

Part No	List Price \$	Bushing	Number of Teeth	Diameters			I.D.	Type	Dimensions (inches)				Bore Range		Wt
				Pitch Diam.	O.D. Sprocket	O.D. Flange			E	K	L	M	Min.	Max.	
For Belts 3 5/16" (85mm) wide - 8mm pitch (8M-85) - Face width (F) = 3 3/4"															
P34-8M-85-SH	95.00	SH	34	3.409	3.355	3.58	2.75	3B F	7/8	1 1/2	1 1/4	1 5/8	1/2	1 11/16	2.85
P36-8M-85-SH	100.00	SH	36	3.609	3.555	4.02	2.82	3B F	7/8	1 1/2	1 1/4	1 5/8	1/2	1 11/16	3.75
P38-8M-85-SH	102.00	SH	38	3.810	3.756	4.17	3.00	3B F	7/8	1 1/2	1 1/4	1 5/8	1/2	1 11/16	4.05
P40-8M-85-SD	106.00	SD	40	4.010	3.956	4.41	3.29	3B F	9/16	1 1/4	1 13/16	1 3/8	1/2	2	4.50
P44-8M-85-SD	110.00	SD	44	4.411	4.357	4.73	3.50	3B F	9/16	1 1/4	1 13/16	1 3/8	1/2	2	6.15
P48-8M-85-SD	120.00	SD	48	4.812	4.758	5.04	3.80	3B F	9/16	1 1/4	1 13/16	1 3/8	1/2	2	7.60
P56-8M-85-SK	140.00	SK	56	5.614	5.560	5.91	4.60	3B F	7/16	1 1/4	1 7/8	1 7/16	1/2	2 5/8	9.65
P64-8M-85-SF	163.00	SF	64	6.416	6.362	6.61	5.40	3B F	31/64	1 19/64	2	1 23/64	1/2	2 5/8	12.20
P72-8M-85-E	177.00	E	72	7.218	7.164	7.56	6.20	3B F	3/64	1 7/64	2 5/8	1 11/64	7/8	3 1/2	16.10
P80-8M-85-E	194.00	E	80	8.020	7.966	8.35	6.90	3B F	3/64	1 7/64	2 5/8	1 11/64	7/8	3 1/2	21.25
P90-8M-85-E	245.00	E	90	9.023	8.969	...	7.90	3W	0	1 1/16	2 5/8	1 1/16	7/8	3 1/2	22.90
P112-8M-85-F	308.00	F	112	11.229	11.175	...	10.00	2W	19/32	5/8	3 5/8	23/32	1	4	40.55
P144-8M-85-F	430.00	F	144	14.437	14.383	...	13.20	2A	19/32	5/8	3 5/8	23/32	1	4	47.30
P192-8M-85-F	485.00	F	192	19.249	19.195	...	18.00	2A	19/32	5/8	3 5/8	23/32	1	4	68.80

SYNCHRONOUS DRIVES



14 MM PITCH X 40 MM

Warehouse Innovation

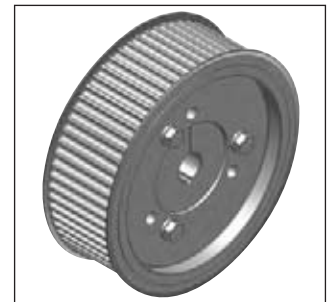
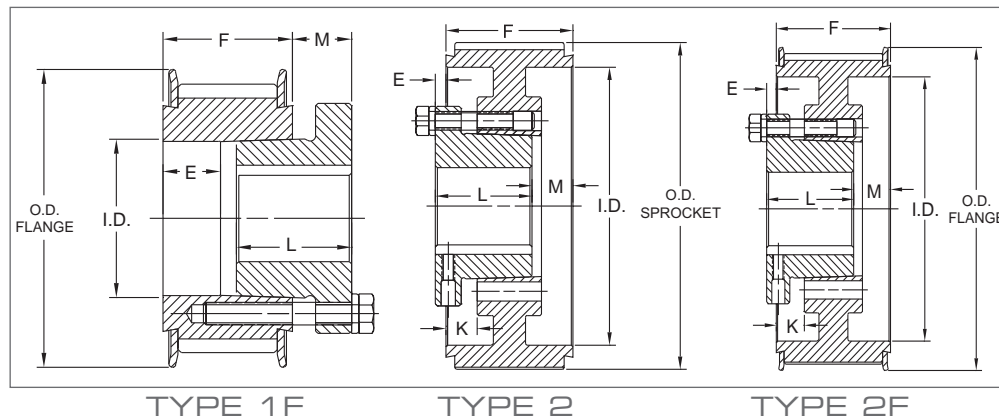
Color-coded product labels for easy stock retrieval on shelves

NOTE: these products are color-coded GREEN

DIMENSIONS

Part No	List Price \$	Bushing	Nb. Teeth	Diameters			I.D.	Type	Dimensions (inches)				Bore Range		Wt
				Pitch Diam.	O.D. Sprocket	O.D. Flange			E	K	L	M	Min.	Max.	
For Belts 2" (40mm) wide - 14mm pitch (14M-40) - Face width (F) = 2 1/8"															
P28-14M-40-SK	85.00	SK	28	4.912	4.802	5.04	3.13	1B F	13/16	0	1 7/8	1 1/16	1/2	2 5/8	5.30
P29-14M-40-SK	90.00	SK	29	5.088	4.978	5.43	3.13	1B F	13/16	0	1 7/8	1 1/16	1/2	2 5/8	6.00
P30-14M-40-SK	93.00	SK	30	5.263	5.153	5.43	4.12	2B F	3/8	7/16	1 7/8	5/8	1/2	2 5/8	5.85
P32-14M-40-SK	102.00	SK	32	5.614	5.504	6.06	4.12	2B F	3/8	7/16	1 7/8	5/8	1/2	2 5/8	7.10
P34-14M-40-SK	105.00	SK	34	5.965	5.855	6.30	4.12	2B F	3/8	7/16	1 7/8	5/8	1/2	2 5/8	8.55
P36-14M-40-SF	115.00	SF	36	6.316	6.206	6.61	4.75	2B F	3/8	7/16	2	1/2	1/2	2 15/16	8.50
P38-14M-40-SF	130.00	SF	38	6.667	6.557	7.21	4.94	2B F	3/8	7/16	2	1/2	1/2	2 15/16	10.20
P40-14M-40-SF	130.00	SF	40	7.018	6.908	7.40	5.06	2B F	3/8	7/16	2	1/2	1/2	2 15/16	11.75
P44-14M-40-E	155.00	E	44	7.720	7.610	8.31	6.12	2B F	13/16	1/4	2 5/8	5/16	7/8	3 1/2	14.80
P48-14M-40-E	165.00	E	48	8.421	8.311	8.90	6.50	2B F	13/16	1/4	2 5/8	5/16	7/8	3 1/2	18.65
P52-14M-40-E	172.00	E	52	9.123	9.013	9.37	7.18	2B F	13/16	1/4	2 5/8	5/16	7/8	3 1/2	22.70
P56-14M-40-E	175.00	E	56	9.825	9.715	10.08	7.88	2B F	13/16	1/4	2 5/8	5/16	7/8	3 1/2	27.25
P60-14M-40-E	227.00	E	60	10.527	10.417	10.79	8.50	2B F	13/16	1/4	2 5/8	5/16	7/8	3 1/2	32.10
P64-14M-40-E	260.00	E	64	11.229	11.119	11.65	9.25	2W F	13/16	1/4	2 5/8	5/16	7/8	3 1/2	29.20
P68-14M-40-E	265.00	E	68	11.930	11.820	12.21	10.00	2W F	13/16	1/4	2 5/8	5/16	7/8	3 1/2	31.55
P72-14M-40-E	272.00	E	72	12.632	12.522	12.91	10.69	2W F	13/16	1/4	2 5/8	5/16	7/8	3 1/2	35.25
P80-14M-40-E	280.00	E	80	14.036	13.926	14.29	12.13	2W F	13/16	1/4	2 5/8	5/16	7/8	3 1/2	14.40
P90-14M-40-E	288.00	E	90	15.790	15.680	...	14.00	2A	13/16	1/4	2 5/8	5/16	7/8	3 1/2	40.70
P112-14M-40-E	365.00	E	112	19.650	19.540	...	17.80	2A	13/16	1/4	2 5/8	5/16	7/8	3 1/2	56.40
P144-14M-40-E	480.00	E	144	25.264	25.154	...	23.38	2A	13/16	1/4	2 5/8	5/16	7/8	3 1/2	78.60

SYNCHRONOUS DRIVES



14 MM PITCH X 55 MM

Warehouse Innovation

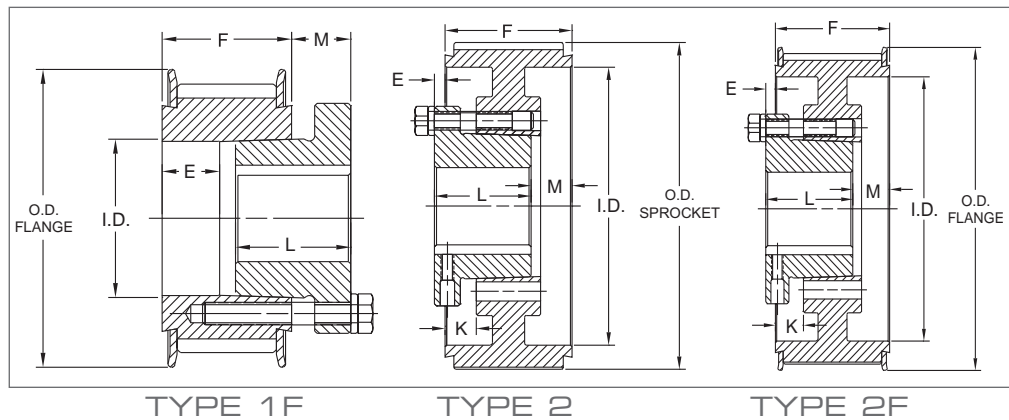
Color-coded product labels for easy stock retrieval on shelves

NOTE: these products are color-coded GREEN

DIMENSIONS

Part No	List Price \$	Bushing	Nb. Teeth	Diameters			I.D.	Type	Dimensions (inches)				Bore Range		Wt
				Pitch Diam.	O.D. Sprocket	O.D. Flange			E	K	L	M	Min.	Max.	
For Belts 2 3/16" (55mm) wide - 14mm pitch (14M-55) - Face width (F) = 2 3/4"															
P28-14M-55-SK	100.00	SK	28	4.912	4.802	5.04	3.13	1B F	13/16	0	1 7/8	1 11/16	1/2	2 5/8	6.85
P29-14M-55-SK	105.00	SK	29	5.088	4.978	5.43	3.13	1B F	13/16	0	1 7/8	1 11/16	1/2	2 5/8	7.55
P30-14M-55-SK	108.00	SK	30	5.263	5.153	5.43	4.12	2B F	1/16	3/4	1 7/8	15/16	1/2	2 5/8	6.15
P32-14M-55-SK	114.00	SK	32	5.614	5.504	6.06	4.12	2B F	1/16	3/4	1 7/8	15/16	1/2	2 5/8	8.65
P34-14M-55-SK	120.00	SK	34	5.965	5.855	6.30	4.12	2B F	1/16	3/4	1 7/8	15/16	1/2	2 5/8	10.50
P36-14M-55-SF	125.00	SF	36	6.316	6.206	6.61	4.75	2B F	1/16	3/4	2	13/16	1/2	2 15/16	10.10
P38-14M-55-SF	140.00	SF	38	6.667	6.557	7.21	4.94	2B F	1/16	3/4	2	13/16	1/2	2 15/16	12.05
P40-14M-55-SF	143.00	SF	40	7.018	6.908	7.40	5.06	2B F	1/16	3/4	2	13/16	1/2	2 15/16	14.30
P44-14M-55-E	165.00	E	44	7.720	7.610	8.31	6.12	2B F	1/2	9/16	2 5/8	5/8	7/8	3 1/2	16.65
P48-14M-55-E	170.00	E	48	8.421	8.311	8.90	6.50	2B F	1/2	9/16	2 5/8	5/8	7/8	3 1/2	21.65
P52-14M-55-E	178.00	E	52	9.123	9.013	9.37	7.18	2B F	1/2	9/16	2 5/8	5/8	7/8	3 1/2	25.80
P56-14M-55-E	180.00	E	56	9.825	9.715	10.08	7.88	2B F	1/2	9/16	2 5/8	5/8	7/8	3 1/2	31.00
P60-14M-55-E	240.00	E	60	10.527	10.417	10.79	8.50	2B F	1/2	9/16	2 5/8	5/8	7/8	3 1/2	36.05
P64-14M-55-F	275.00	F	64	11.229	11.119	11.65	9.25	2B F	1 3/32	1/8	3 5/8	7/32	1	4	10.25
P68-14M-55-F	285.00	F	68	11.930	11.820	12.21	10.00	2W F	1 3/32	1/8	3 5/8	7/32	1	4	44.00
P72-14M-55-F	290.00	F	72	12.632	12.522	12.91	10.69	2W F	1 3/32	1/8	3 5/8	7/32	1	4	46.70
P80-14M-55-F	338.00	F	80	14.036	13.926	14.29	12.13	2W F	1 3/32	1/8	3 5/8	7/32	1	4	54.50
P90-14M-55-F	345.00	F	90	15.790	15.680	...	14.00	2A	1 3/32	1/8	3 5/8	7/32	1	4	53.30
P112-14M-55-F	405.00	F	112	19.650	19.540	...	17.80	2A	1 3/32	1/8	3 5/8	7/32	1	4	70.70
P144-14M-55-F	520.00	F	144	25.264	25.154	...	23.38	2A	1 3/32	1/8	3 5/8	7/32	1	4	95.90
P168-14M-55-F	670.00	F	168	29.475	29.365	...	28.25	2A	1 3/32	1/8	3 5/8	7/32	1	4	107.30
P192-14M-55-F	840.00	F	192	33.686	33.576	...	32.38	2A	1 3/32	1/8	3 5/8	7/32	1	4	136.20
P216-14M-55-F	1356.00	F	216	37.896	37.786	...	36.62	2A	1 3/32	1/8	3 5/8	7/32	1	4	166.20

SYNCHRONOUS DRIVES



14 MM PITCH X 85 MM

Warehouse Innovation

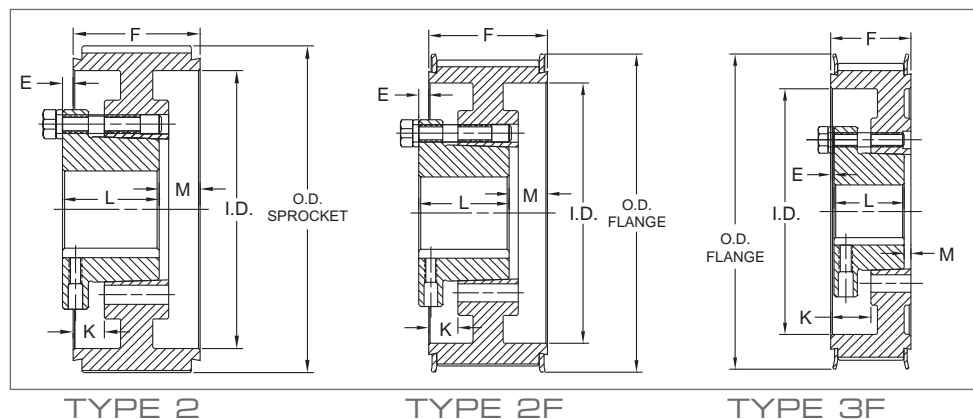
Color-coded product labels for easy stock retrieval on shelves

NOTE: these products are color-coded GREEN

DIMENSIONS

Part No	List Price \$	Bushing	Nb. Teeth	Diameters			I.D.	Type	Dimensions (inches)				Bore Range		Wt
				Pitch Diam.	O.D. Sprocket	O.D. Flange			E	K	L	M	Min.	Max.	
For Belts 3 5/16" (85mm) wide - 14mm pitch (14M-85) - Face width (F) = 4"															
*P28-14M-85-SK	130.00	SK	28	4.912	4.802	5.04	3.96	3B F	3/16	1	1 7/8	1 15/16	1/2	2 5/8	6.60
*P29-14M-85-SK	131.00	SK	29	5.088	4.978	5.43	3.96	3B F	3/16	1	1 7/8	1 15/16	1/2	2 5/8	7.80
P30-14M-85-SK	132.00	SK	30	5.263	5.153	5.43	4.12	3B F	9/16	1 3/8	1 7/8	1 9/16	1/2	2 5/8	7.95
P32-14M-85-SK	138.00	SK	32	5.614	5.504	6.06	4.12	3B F	9/16	1 3/8	1 7/8	1 9/16	1/2	2 5/8	10.75
P34-14M-85-SK	150.00	SK	34	5.965	5.855	6.30	4.12	3B F	9/16	1 3/8	1 7/8	1 9/16	1/2	2 5/8	14.00
P36-14M-85-SF	154.00	SF	36	6.316	6.206	6.61	4.75	3B F	9/16	1 3/8	2	1 7/16	1/2	2 15/16	13.20
P38-14M-85-SF	160.00	SF	38	6.667	6.557	7.21	4.94	3B F	9/16	1 3/8	2	1 7/16	1/2	2 15/16	15.60
P40-14M-85-SF	168.00	SF	40	7.018	6.908	7.40	5.06	3B F	9/16	1 3/8	2	1 7/16	1/2	2 15/16	19.00
P44-14M-85-E	180.00	E	44	7.720	7.610	8.31	6.12	3B F	1/8	1 3/16	2 5/8	1 1/4	7/8	3 1/2	21.10
P48-14M-85-E	188.00	E	48	8.421	8.311	8.90	6.50	3B F	1/8	1 3/16	2 5/8	1 1/4	7/8	3 1/2	27.35
P52-14M-85-E	220.00	E	52	9.123	9.013	9.37	7.18	3B F	1/8	1 3/16	2 5/8	1 1/4	7/8	3 1/2	32.80
P56-14M-85-F	245.00	F	56	9.825	9.715	10.08	7.88	2B F	15/32	3/4	3 5/8	27/32	1	4	43.30
P60-14M-85-F	290.00	F	60	10.527	10.417	10.79	8.50	2B F	15/32	3/4	3 5/8	27/32	1	4	50.70
P64-14M-85-F	300.00	F	64	11.229	11.119	11.65	9.25	2B F	15/32	3/4	3 5/8	27/32	1	4	59.90
P68-14M-85-F	315.00	F	68	11.930	11.820	12.21	10.00	2W F	15/32	3/4	3 5/8	27/32	1	4	51.20
P72-14M-85-F	320.00	F	72	12.632	12.522	12.91	10.69	2W F	15/32	3/4	3 5/8	27/32	1	4	55.70
P80-14M-85-F	380.00	F	80	14.036	13.926	14.29	12.13	2W F	15/32	3/4	3 5/8	27/32	1	4	64.40
P90-14M-85-F	390.00	F	90	15.790	15.680	...	14.00	2A	15/32	3/4	3 5/8	27/32	1	4	69.50
P112-14M-85-F	460.00	F	112	19.650	19.540	...	17.80	2A	15/32	3/4	3 5/8	27/32	1	4	93.70
P144-14M-85-F	590.00	F	144	25.264	25.154	...	23.38	2A	15/32	3/4	3 5/8	27/32	1	4	130.50
P168-14M-85-J	780.00	J	168	29.475	29.365	...	28.12	2A	1	13/32	4 1/2	1/2	1 7/16	4 1/2	153.20
P192-14M-85-J	940.00	J	192	33.686	33.576	...	32.38	2A	1	13/32	4 1/2	1/2	1 7/16	4 1/2	190.20
P216-14M-85-J	1470.00	J	216	37.896	37.786	...	36.38	2A	1	13/32	4 1/2	1/2	1 7/16	4 1/2	242.80

* These parts are made of steel.



14 MM PITCH X 115 MM

Warehouse Innovation

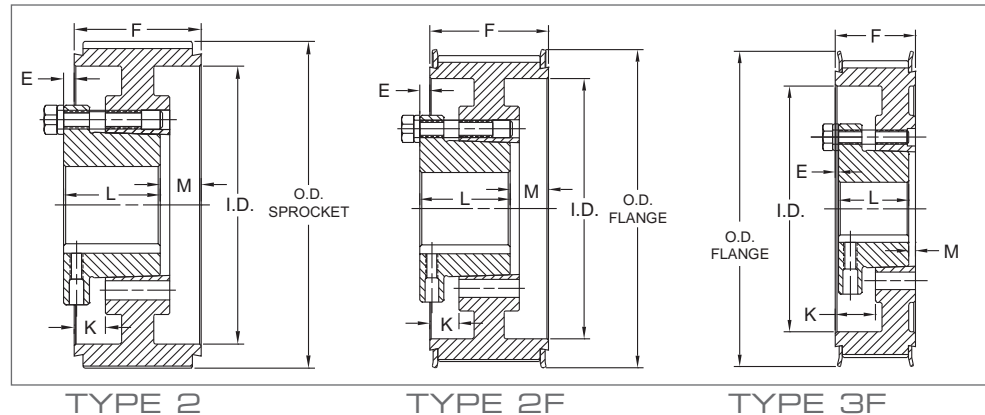
Color-coded product labels for easy stock retrieval on shelves

NOTE: these products are color-coded GREEN

DIMENSIONS

Part No	List Price \$	Bushing	Nb. Teeth	Diameters			I.D.	Type	Dimensions (inches)				Bore Range		Wt
				Pitch Diam.	O.D.				E	K	L	M	Min.	Max.	
					Sprocket	Flange									
For Belts 4 1/2" (115mm) wide - 14mm pitch (14M-115) - Face width (F) = 5 1/4"															
*P28-14M-115-SK	160.00	SK	28	4.912	4.802	5.04	3.96	3B F	3/16	1	1 7/8	3 3/16	1/2	2 5/8	12.00
*P29-14M-115-SK	165.00	SK	29	5.088	4.978	5.43	3.96	3B F	3/16	1	1 7/8	3 3/16	1/2	2 5/8	13.60
P30-14M-115-SK	169.00	SK	30	5.263	5.153	5.43	4.12	3B F	1 3/16	2	1 7/8	2 3/16	1/2	2 5/8	9.35
P32-14M-115-SK	172.00	SK	32	5.614	5.504	6.06	4.12	3B F	1 3/16	2	1 7/8	2 3/16	1/2	2 5/8	13.25
P34-14M-115-SK	183.00	SK	34	5.965	5.855	6.30	4.12	3B F	1 3/16	2	1 7/8	2 3/16	1/2	2 5/8	17.30
P36-14M-115-SF	190.00	SF	36	6.316	6.206	6.61	4.75	3B F	1 3/16	2	2	2 1/16	1/2	2 15/16	16.55
P38-14M-115-SF	200.00	SF	38	6.667	6.557	7.21	4.94	3B F	1 3/16	2	2	2 1/16	1/2	2 15/16	19.70
P40-14M-115-SF	208.00	SF	40	7.018	6.908	7.40	5.06	3B F	1 3/16	2	2	2 1/16	1/2	2 15/16	23.55
P44-14M-115-E	220.00	E	44	7.720	7.610	8.31	6.12	3B F	3/4	1 13/16	2 5/8	1 7/8	7/8	3 1/2	24.95
P48-14M-115-E	236.00	E	48	8.421	8.311	8.90	6.50	3B F	3/4	1 13/16	2 5/8	1 7/8	7/8	3 1/2	33.25
P52-14M-115-F	275.00	F	52	9.123	9.013	9.37	7.18	3B F	5/32	1 3/8	3 5/8	1 15/32	1	4	42.10
P56-14M-115-F	285.00	F	56	9.825	9.715	10.08	7.88	3B F	5/32	1 3/8	3 5/8	1 15/32	1	4	49.70
P60-14M-115-F	340.00	F	60	10.527	10.417	10.79	8.50	3B F	5/32	1 3/8	3 5/8	1 15/32	1	4	58.50
P64-14M-115-J	365.00	J	64	11.229	11.119	11.65	9.25	2B F	13/32	1	4 1/2	1 5/32	1 7/16	4 1/2	71.20
P68-14M-115-J	382.00	J	68	11.930	11.820	12.21	10.00	2B F	13/32	1	4 1/2	1 5/32	1 7/16	4 1/2	82.10
P72-14M-115-J	390.00	J	72	12.632	12.522	12.91	10.69	2B F	13/32	1	4 1/2	1 5/32	1 7/16	4 1/2	94.00
P80-14M-115-J	450.00	J	80	14.036	13.926	14.29	12.13	2W F	13/32	1	4 1/2	1 5/32	1 7/16	4 1/2	79.80
P90-14M-115-J	500.00	J	90	15.790	15.680	...	14.00	2W	13/32	1	4 1/2	1 5/32	1 7/16	4 1/2	93.60
P112-14M-115-J	620.00	J	112	19.650	19.540	...	17.80	2A	13/32	1	4 1/2	1 5/32	1 7/16	4 1/2	117.20
P144-14M-115-J	780.00	J	144	25.264	25.154	...	23.38	2A	13/32	1	4 1/2	1 5/32	1 7/16	4 1/2	161.70
P168-14M-115-M	970.00	M	168	29.475	29.365	...	28.09	2A	1 19/32	1/16	6 3/4	3/32	2	5 1/2	203.40
P192-14M-115-M	1120.00	M	192	33.686	33.576	...	32.25	2A	1 19/32	1/16	6 3/4	3/32	2	5 1/2	251.10
P216-14M-115-M	1690.00	M	216	37.896	37.786	...	36.38	2A	1 19/32	1/16	6 3/4	3/32	2	5 1/2	306.70

* These parts are made of steel.



123

14 MM PITCH X 170 MM

Warehouse Innovation

Color-coded product labels for easy stock retrieval on shelves

NOTE: these products are color-coded GREEN

DIMENSIONS

Part No	List Price \$	Bushing	Nb. Teeth	Diameters				Type	Dimensions (inches)				Bore Range		Wt
				Pitch Diam.	O.D.		I.D.		E	K	L	M	Min.	Max.	
					Sprocket	Flange									
For Belts 6 11/16" (170mm) wide - 14mm pitch (14M-170) - Face width (F) = 7 3/8"															
P36-14M-170-SF	270.00	SF	36	6.316	6.206	6.61	4.75	3B F	2 1/4	3 1/16	2	3 1/8	1/2	2 15/16	21.70
P38-14M-170-SF	280.00	SF	38	6.667	6.557	7.21	4.94	3B F	2 1/4	3 1/16	2	3 1/8	1/2	2 15/16	25.90
P40-14M-170-SF	290.00	SF	40	7.018	6.908	7.40	5.06	3B F	2 1/4	3 1/16	2	3 1/8	1/2	2 15/16	31.20
P44-14M-170-E	300.00	E	44	7.720	7.610	8.31	6.12	3B F	1 13/16	2 7/8	2 5/8	2 15/16	7/8	3 1/2	31.65
P48-14M-170-E	302.00	E	48	8.421	8.311	8.91	6.50	3B F	1 13/16	2 7/8	2 5/8	2 15/16	7/8	3 1/2	42.30
P52-14M-170-F	320.00	F	52	9.123	9.013	9.37	7.18	3B F	1 7/32	2 7/16	3 5/8	2 17/32	1	4	52.40
P56-14M-170-F	330.00	F	56	9.825	9.715	10.08	7.88	3B F	1 7/32	2 7/16	3 5/8	2 17/32	1	4	61.40
P60-14M-170-J	430.00	J	60	10.527	10.417	10.79	8.50	3B F	23/32	2 1/8	4 1/2	2 5/32	1 7/16	4 1/2	74.30
P64-14M-170-J	460.00	J	64	11.229	11.119	11.65	9.25	3B F	23/32	2 1/8	4 1/2	2 5/32	1 7/16	4 1/2	85.10
P68-14M-170-J	490.00	J	68	11.930	11.820	12.21	10.00	3B F	23/32	2 1/8	4 1/2	2 5/32	1 7/16	4 1/2	96.50
P72-14M-170-J	520.00	J	72	12.632	12.522	12.91	10.69	3B F	23/32	2 1/8	4 1/2	2 5/32	1 7/16	4 1/2	109.40
P80-14M-170-J	530.00	J	80	14.036	13.926	14.29	12.13	3W F	23/32	2 1/8	4 1/2	2 5/32	1 7/16	4 1/2	102.00
P90-14M-170-J	610.00	J	90	15.790	15.680	...	14.00	3W	23/32	2 1/8	4 1/2	2 5/32	1 7/16	4 1/2	114.70
P112-14M-170-M	850.00	M	112	19.650	19.540	...	17.80	2A	7/32	1 7/16	6 3/4	27/32	2	5 1/2	170.60
P144-14M-170-M	1050.00	M	144	25.264	25.154	...	23.38	2A	7/32	1 7/16	6 3/4	27/32	2	5 1/2	230.80
P168-14M-170-M	1360.00	M	168	29.475	29.365	...	28.09	2A	7/32	1 7/16	6 3/4	27/32	2	5 1/2	232.80
P192-14M-170-M	1460.00	M	192	33.686	33.576	...	32.25	2A	7/32	1 7/16	6 3/4	27/32	2	5 1/2	285.00
P216-14M-170-M	2080.00	M	216	37.896	37.786	...	36.38	2A	7/32	1 7/16	6 3/4	27/32	2	5 1/2	348.10

SYNCHRONOUS DRIVES

