

ADJUSTABLE PITCH LIGHT DUTY (HVAC) MVL



DID YOU KNOW THAT...

- Designed for applications up to 5HP
- Bore range 1/2" to 7/8"
- Bulk packaged 20 per carton
- Designed to be used with the MFAL Series

IMPORTANT REMINDER



Do NOT use "B" gripnotch belt ratings with MVL sheaves.

HOW TO ORDER

EXAMPLE: **MVL30X5/8**

MVL

30

X7/8

MVL: ADJUSTABLE PITCH SHEAVE SERIES

30: Approximate outside diameter 2.87"

X5/8: BORE SIZE (5/8")

Bore size: Inch bore sizes are designated with the whole inch followed by the fraction. For example, a 1.5" diameter bore would be 1-1/2.

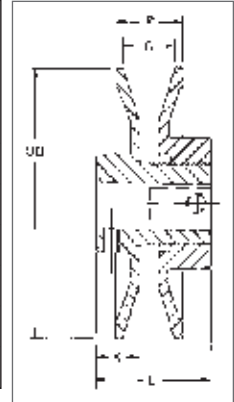
Pulley Adjustment

Modify the sheave pitch diameter by rotating the adjustable flange on the threaded hub of the pulley. Once the required diameter is obtained, tighten the adjusting screw(s) on one of the two flat surfaces.

ADJUSTABLE PITCH MVL

DIMENSIONS

| Part No. | List Price \$ | O.D. | Dimensions | | | | | | Stock Bores Marked "X" | | | | WT (Lbs) |
|----------|---------------|------|------------|-------|------|------|---------|-------|------------------------|-----|-----|-----|----------|
| | | | F | | G | | L | K | 1/2 | 5/8 | 3/4 | 7/8 | |
| | | | Max. | Min. | Max. | Min. | | | | | | | |
| MVL25 | 11.70 | 2.50 | 25/32 | 17/32 | 5/8 | 3/8 | 1 1/2 | 37/64 | X | X | - | - | 0.8 |
| MVL30 | 12.20 | 2.87 | 25/32 | 17/32 | 5/8 | 3/8 | 1 1/2 | 37/64 | X | X | - | - | 1.0 |
| MVL34 | 12.20 | 3.15 | 1 | 5/8 | 7/8 | 1/2 | 1 11/16 | 37/64 | X | X | X | - | 1.1 |
| MVL40 | 15.00 | 3.75 | 1 | 5/8 | 7/8 | 1/2 | 1 11/16 | 37/64 | X | X | X | X | 1.5 |
| MVL44 | 19.00 | 4.15 | 1 | 5/8 | 7/8 | 1/2 | 1 11/16 | 37/64 | X | X | X | X | 1.75 |
| 1VM50 | 30.00 | 4.75 | 1 1/16 | 11/16 | 7/8 | 1/2 | 1 7/8 | 21/32 | X | X | X | X | 2.8 |



DATUM DIAMETERS

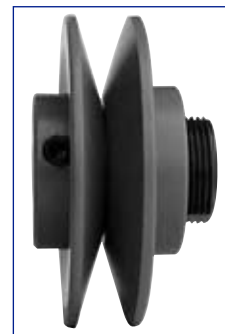
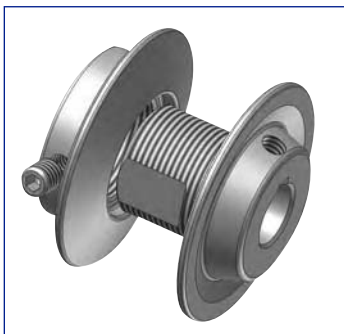
| | Part No. | Datum Diameter, Inches | | | | | | | | | | |
|--------------|----------|------------------------|------|--------------|-------------|--------------|--------------|--------------|--------------|--------------|--------------|--|
| | | Min. | Max. | 0 Turn Close | 1 Turn Open | 2 Turns Open | 3 Turns Open | 4 Turns Open | 5 Turns Open | 6 Turns Open | 7 Turns Open | |
| 3L Belt | MVL25 | 1.6 | 2.4 | 2.4 | 2.2 | 2.0 | 1.8 | 1.6 | - | - | - | |
| | MVL30 | 1.8 | 2.6 | 2.6 | 2.4 | 2.2 | 2.0 | 1.8 | - | - | - | |
| | MVL34 | 1.7 | 2.5 | 2.5 | 2.3 | 2.1 | 1.9 | 1.7 | - | - | - | |
| | MVL40 | 2.3 | 3.1 | 3.1 | 2.9 | 2.7 | 2.5 | 2.3 | - | - | - | |
| | MVL44 | 2.7 | 3.5 | 3.5 | 3.3 | 3.1 | 2.9 | 2.7 | - | - | - | |
| | 1VM50 | 3.3 | 4.1 | 4.1 | 3.9 | 3.7 | 3.5 | 3.3 | - | - | - | |
| A (4L) Belt | MVL25 | 1.6 | 2.2 | - | - | 2.2 | 2.0 | 1.8 | 1.6 | - | - | |
| | MVL30 | 2.0 | 2.6 | - | - | 2.6 | 2.4 | 2.2 | 2.0 | - | - | |
| | MVL34 | 1.9 | 2.9 | 2.9 | 2.7 | 2.5 | 2.3 | 2.1 | 1.9 | - | - | |
| | MVL40 | 2.4 | 3.4 | 3.4 | 3.2 | 3.0 | 2.8 | 2.6 | 2.4 | - | - | |
| | MVL44 | 2.8 | 3.8 | 3.8 | 3.6 | 3.4 | 3.2 | 3.0 | 2.8 | - | - | |
| | 1VM50 | 3.4 | 4.4 | 4.4 | 4.2 | 4.0 | 3.8 | 3.6 | 3.4 | - | - | |
| B* (5L) Belt | MVL25 | 2.0 | 2.2 | - | - | - | - | 2.2 | 2.0 | - | - | |
| | MVL30 | 2.4 | 2.6 | - | - | - | - | 2.6 | 2.4 | - | - | |
| | MVL34 | 2.4 | 3.2 | - | 3.2 | 3.0 | 2.8 | 2.6 | 2.4 | - | - | |
| | MVL40 | 2.7 | 3.7 | - | 3.7 | 3.5 | 3.3 | 3.1 | 2.9 | 2.7 | - | |
| | MVL44 | 3.1 | 4.1 | - | 4.1 | 3.9 | 3.7 | 3.5 | 3.3 | 3.1 | - | |
| | 1VM50 | 3.7 | 4.7 | - | 4.7 | 4.5 | 4.3 | 4.1 | 3.9 | 3.7 | - | |

Pitch Dia. for 3L belts = Datum Dia. + .25"

Pitch Dia. for "A" (4L) belts = Datum Dia. + .25"

Pitch Dia. for "B" (5L) belts = Datum Dia. + .35"

| Bore Range | Keyseat |
|---------------------|-----------------------|
| 1/2" 5/8" - 7/8" | None 3/16" X 3/32" |



SHEAVES