

Baldor Commercial Duty Motors

BALDOR

CA453

Effective Date:
August 2006



BALDOR®

Commercial Motors Limited Warranty

Baldor Electric Company and its employees are proud of our products and are committed to providing our customers and end users with the best designed and manufactured motors, drives and other Baldor products. This Limited Warranty and Service Policy describes Baldor's warranty and warranty procedures.

Comments and Questions: We welcome comments and questions regarding our products. Please contact us at:

Customer Service
Baldor Electric Company
P.O. Box 2400
Fort Smith, Arkansas 72902
Facsimile: 479-648-5791

or refer to a list of District Offices in your area.

Scope of Warranty: All Baldor commercial motors are warranted against defects in Baldor workmanship and materials.

Warranty Period: Baldor commercial motors are warranted for 18 months from the date of shipment to Baldor's customer from Baldor's district warehouse or, if applicable, from Baldor's factory. All warranty claims must be submitted to a Baldor Service Center prior to the expiration of the warranty period.

Warranty Service Center Locations: Warranty service is available for all Baldor products from Baldor's Customer Service Center in Fort Smith, Arkansas, and from Baldor Authorized Service Centers. A list of Baldor's Authorized Service Centers is available in catalog #505 from any Baldor District Office or by contacting us at the above location.

Procedure to Receive Warranty Service: Customers should take or ship prepaid the Baldor product requiring warranty service to a Baldor Authorized Service Center. Please include an explanation of the defect or problem, a description of the way in which the Baldor product is used, and your name, address and telephone number.

Warranty Determinations by Other than a Baldor-Authorized Service Center: Customers who are unable to take or ship the Baldor product to a Baldor Authorized Service Center, or who desire a warranty consideration by other than a Baldor Authorized Service Center, should contact the local Baldor District Office. Baldor must approve warranty considerations by anyone other than a Baldor Authorized Service Center in advance.

Replacement Within the Scope of the Warranty: If a Baldor product is defective due to Baldor workmanship or materials and the defect occurs during the warranty period, then Baldor will replace it with a new one. Baldor is not responsible for removal and shipping of the Baldor product to the service center, the reinstallation of the Baldor product upon its return to the customer, or any incidental or consequential damages resulting from the defect, removal, reinstallation, shipment or otherwise.

Repairs Outside the Scope of the Warranty: Problems with Baldor products can be due to improper maintenance, faulty installation, non-Baldor additions or modifications, or other problems not due to defects in Baldor workmanship or materials. If the Baldor Authorized Service Center determines that the problem with a Baldor product is not due to defects in Baldor workmanship or materials, then the customer will be responsible for the cost of any necessary repairs. Customers not satisfied with a determination that a problem is outside of warranty coverage should contact the Baldor District Office for further consideration.

Intended Use: Baldor commercial motors are designed for commercial and residential use rather than industrial use.

Product Specifications: All product specifications, applications and other information provided in Baldor's catalog and publications are subject to correction and change without notice and should be confirmed with the Baldor District Office prior to ordering.

Extended Warranties: Extended warranties are available for certain Baldor products. These warranties are described in Baldor's catalog and other sales literature. Extended warranties are subject to the terms and procedures of this Limited Warranty and Service Policy as modified by the additional terms of the extended warranty.

No Other Warranties and Liability Limitation: This Limited Warranty and Service Policy represents Baldor's sole and exclusive warranty obligation with respect to Baldor products. Baldor's liability to a customer or any other person shall not exceed the Baldor's sales price of the applicable Baldor product. BALDOR DISCLAIMS ALL OTHER EXPRESS AND IMPLIED WARRANTIES INCLUDING THE IMPLIED WARRANTIES OF FITNESS FOR A PARTICULAR PURPOSE AND MERCHANTABILITY.

Baldor has made every effort to make this catalog complete and accurate as of the time of printing. Since products are continuously being improved, all data is subject to change or correction. The data presented here is for general information to provide an overview of Baldor's capabilities. For specific applications, installation and operating instructions, certified dimensions, capabilities and performance data, and pricing and availability, contact your Baldor District Sales Office.

Table of Contents

Warranty Inside Front Cover

Jet Pump Motors

- ODP – Open Drip Proof - Single Phase
Commercial Duty3
- Two Compartment4

Square Flange Pump Motors

- ODP – Open Drip Proof
Single Phase5

General Purpose

- ODP – Open Drip Proof, Resilient Base6

Heating, Ventilating and Air Conditioning Blower Motors

- OPAO – Open Air Over, Resilient Base
Permanent Split Capacitor and Three Phase7

Direct Drive Fan Motors

- TEAO – Totally Enclosed Air Over, Resilient Base
Permanent Split Capacitor and Three Phase8

Fan and Blower Motors

- ODP – Open Drip Proof, Resilient Base
Split Phase9

Incubator/Hatchery Motors

- TEAO – Totally Enclosed, Air Over
Permanent Split Capacitor9

Condenser Fan Motors

- TEAO – Totally Enclosed Air Over
Permanent Split Capacitor, any angle and shaft up only10

Direct Drive Indoor Blower Motors

- ODP – Open Drip Proof
Permanent Split Capacitor, round body, extended thru-bolts11

Yoke/Pedestal Fan Motors

- TEAO – Totally Enclosed Air Over, Round Body
Permanent Split Capacitor, Single and Two Speed12

Single Phase Commercial Duty Jet Pump Motors

ODP - Open Drip Proof
1/4 through 3 Hp
NEMA 56C and 56J



Applications:

Commercial Pumps, Residential Pumps, Swimming Pool Pumps, etc.

Features:

40°C Ambient, 60 Hertz, Aluminum Endplates, Automatic Thermal Overload, Ball Bearings, Capacitor Start, High Service Factors, Terminal Panel with Quick Connections and ground screw, Shaft Slinger

Hp	RPM 60 Hz.	NEMA Frame	Catalog Number	List Price	Mult. Sym.	Type	"C" Dimension	Ap'x. Shpg. Wgt.	Volts	Full Load Amps	S.F.
Stainless Steel Threaded Shaft 56J Less Base - Open Drip Proof											
1/4	1725	56J	JL145A	179	C1	1710L	11.58	20	115/230*	4.4/2.2	1.35
1/3	3450	56J	JL225A	175	C1	1713L	11.83	21	115/230*	5.6/2.8	1.75
1/3	1725	56J	JL245A	208	C1	1712L	11.58	24	115/230*	5.4/2.7	1.35
1/2	3450	56J	JL325A	194	C1	1716L	13.08	21	115/230*	6.6/3.3	1.60
1/2	1725	56J	JL345A	238	C1	1718L	13.08	22	115/230*	7.2/3.6	1.25
3/4	3450	56J	JL425A	221	C1	1720L	13.08	24	115/230*	9.2/4.6	1.50
3/4	1725	56J	JL445A	266	C1	1728L	13.58	25	115/230*	10.6/5.3	1.25
1	3450	56J	JL525A	251	C1	1728L	13.58	25	115/230*	15.2/7.6	1.40
1	1725	56J	JL545A	314	C1	1920L	12.84	34	115/230*	13.4/6.7	1.15
1 1/2	3450	56J	JL625A	303	C1	1924L	12.84	42	115/230	18/9	1.30
2	3450	56J	JL725A	365	C1	1928L	13.84	44	115/230	26/13	1.20
3	3450	56J	JL825A	418	C1	1935LC	14.72	52	230	13	1.15
Keyed Shaft 56C Less Base - Open Drip Proof											
1/4	1725	56C	VL145A	173	C1	1710L	11.08	21	115/230*	4.4/2.2	1.35
1/3	3450	56C	VL225A	168	C1	1713L	11.33	22	115/230*	5.6/2.8	1.75
1/3	1725	56C	VL245A	202	C1	1712L	11.08	24	115/230*	5.4/2.7	1.35
1/2	3450	56C	VL325A	190	C1	1716L	12.58	22	115/230*	6.6/3.3	1.60
1/2	1725	56C	VL345A	232	C1	1718L	12.58	23	115/230*	7.2/3.6	1.25
3/4	3450	56C	VL425A	216	C1	1720L	12.58	26	115/230*	9.2/4.6	1.50
3/4	1725	56C	VL445A	258	C1	1728L	13.08	26	115/230*	10.6/5.3	1.25
1	3450	56C	VL525A	242	C1	1728L	13.08	28	115/230*	15.2/7.6	1.40
1	1725	56C	VL545A	297	C1	1920L	11.69	34	115/230*	13.4/6.7	1.15
1 1/2	3450	56C	VL625A	284	C1	1924L	12.69	38	115/230	18/9	1.30
2	3450	56C	VL725A	342	C1	1928L	12.69	44	115/230	26/13	1.20
3	3450	56C	VL825A	393	C1	1935LC	13.57	53	230	13	1.15

NOTE: Data subject to change without notice. Contact Baldor for certified data. * Voltage @ 60 Hz. usable @ 208 volts.

Single Phase Two Compartment Jet Pump Motors

ODP - Open Drip Proof
1/4 through 1 Hp
NEMA 56C and 56J



Applications:

Swimming Pool Pumps, Spa and Hot Tub pumps

Features:

40°C Ambient, 60 Hertz, Aluminum Endplates, Automatic Thermal Overload, Ball Bearings, Capacitor Start, High Service Factors, Terminal Panel with Quick Connections and ground screw, Shaft Slinger, easier maintenance.

Hp	RPM 60 Hz.	NEMA Frame	Catalog Number	List Price	Mult. Sym.	Type	"C" Dimension	Ap'x. Shpg. Wgt.	Volts	Full Load Amps	S.F.
Stainless Steel Threaded Shaft 56J Less Base - Open Drip Proof											
1/4	1725	56J	J2L145A	190	C1	1710L	13.59	20	115/230*	4.4/2.2	1.35
1/3	3450	56J	J2L225A	183	C1	1713L	13.59	21	115/230*	5.6/2.8	1.75
1/2	3450	56J	J2L325A	205	C1	1716L	14.84	21	115/230*	6.6/3.3	1.60
1/2	1725	56J	J2L345A	251	C1	1720L	14.84	22	115/230*	7.2/3.6	1.25
3/4	3450	56J	J2L425A	233	C1	1720L	14.84	24	115/230*	9.2/4.6	1.50
3/4	1725	56J	J2L445A	280	C1	1728L	15.34	25	115/230*	10.6/5.3	1.25
1	3450	56J	J2L525A	263	C1	1728L	15.34	25	115/230*	15.2/7.6	1.40
Keyed Shaft 56C Less Base - Open Drip Proof											
1/4	1725	56C	V2L145A	182	C1	1710L	13.10	21	115/230*	4.4/2.2	1.35
1/3	3450	56C	V2L225A	177	C1	1713L	13.10	22	115/230*	5.6/2.8	1.75
1/3	1725	56C	V2L245A	212	C1	1714L	13.10	24	115/230*	5.4/2.7	1.35
1/2	3450	56C	V2L325A	200	C1	1716L	14.35	22	115/230*	6.6/3.3	1.60
1/2	1725	56C	V2L345A	242	C1	1720L	14.35	23	115/230*	7.2/3.6	1.25
3/4	3450	56C	V2L425A	227	C1	1720L	14.35	26	115/230*	9.2/4.6	1.50
3/4	1725	56C	V2L445A	272	C1	1728L	14.85	26	115/230*	10.6/5.3	1.25
1	3450	56C	V2L525A	255	C1	1728L	14.85	28	115/230*	15.2/7.6	1.40

NOTE: Data subject to change without notice. Contact Baldor for certified data. * Voltage @ 60 Hz. usable @ 208 volts.

Single Phase Commercial Square Flange Pump Motors

ODP - Open Drip Proof
1/3 through 2 Hp
NEMA 56YZ



Applications:

Commercial Pumps, Residential Pumps, Swimming Pool Pumps, etc.

Features:

40°C Ambient, 60 Hertz, Aluminum Endplates, Ball Bearings, Capacitor Start, Stainless Steel Shaft Extension, Terminal Panel with Quick Connections, Automatic Thermal Overload, Ground Screw in Lead End Endplate, Shaft Slinger

Hp	RPM 60 Hz.	NEMA Frame	Catalog Number	List Price	Mult. Sym.	Type	"C" Dimension	Ap'x. Shpg. Wgt.	Volts	Full Load Amps	S.F.
Single Phase - Open Drip Proof											
1/3	3450	56Y	JSL225A	192	C1	1713L	12.47	21	115/230*	5.6/2.8	1.75
1/2	3450	56Y	JSL325A	209	C1	1716L	12.47	21	115/230*	6.6/3.3	1.60
3/4	3450	56Y	JSL425A	237	C1	1720L	12.97	26	115/230*	9.2/4.6	1.50
1	3450	56Y	JSL525A	253	C1	1728L	14.16	33	115/230*	15.2/7.6	1.40
1 1/2	3450	56YZ	JSL625A	313	C1	1924L	14.34	44	115/230	18/9	1.30
2	3450	56YZ	JSL725A	375	C1	1928L	14.34	44	115/230	26/13	1.20

NOTE: Data subject to change without notice. Contact Baldor for certified data. * Voltage @ 60 Hz. usable @ 208 volts.

**Single Phase
Commercial Duty,
General Purpose
ODP - Open Drip Proof, Resilient Base
1/4 through 2 Hp
NEMA 48 and 56H**



Applications:

Ventilators, Summer cooling fans, band saws, drill presses, farm equipment.

Features:

Automatic Thermal Overload, Ball Bearings, Resilient Cushion Rings, Reversible Rotation, Rugged Steel Base, Terminal Panel with Quick Connections

Hp	RPM 60 Hz.	NEMA Frame	Catalog Number	List Price	Mult. Sym.	Type	"C" Dimension	Ap'x. Shpg. Wgt.	Volts	Full Load Amps	S.F.
1/4	1725	48	RL144A	193	C1	1710L	10.46	21	115/230*	4.4/2.2	1.15
1/3	3450	48	RL224A	173	C1	1713L	11.09	22	115/230*	5.4/2.7	1.15
1/3	1725	56	RL245A †	207	C1	1712L	11.09	25	115/230*	5.4/2.7	1.15
1/2	3450	48	RL324A	188	C1	1716L	11.09	23	115/230*	7/3.5	1.15
1/2	3450	56	RL325A	190	C1	1716L	12.57	23	115/230*	7/3.5	1.15
1/2	1725	48	RL344A	237	C1	1718L	12.34	25	115/230*	7.2/3.6	1.25
1/2	1725	56	RL345A	239	C1	1718L	12.57	25	115/230*	7.2/3.6	1.25
3/4	3450	56	RL425A	224	C1	1716L	12.57	23	115/230*	9.4/4.7	1.25
3/4	1725	56	RL445A	254	C1	1728L	13.07	33	115/230*	10.6/5.3	1.25
1	3450	56	RL525A	267	C1	1724L	12.60	30	115/230*	11.8/5.9	1.25
1	1725	56	RL545A	320	C1	1920L	12.04	35	115/230*	13/6.5	1.15
1 1/2	3450	56/56H	RL625A	309	C1	1924L	13.04	41	115/230*	18/9	1.15
1 1/2	1725	56/56H	RL645A	384	C1	1928L	13.05	42	115/230*	18.2/9.1	1.15
2	3450	56/56H	RL725A	365	C1	1928L	13.04	44	115/230*	26/13	1.15

NOTE: Data subject to change without notice. Contact Baldor for certified data.

Single Phase and Three Phase - Commercial Duty, Heating, Ventilating and Air Conditioning Blower

OPAO - Open Air Over, Resilient Base

1/4 through 2 Hp

NEMA 48 and 56H



Applications:

Fans for Heating, Ventilation and Air Conditioning Blowers,
Designed for Continuous Air-Over Applications with Moderate Starting Loads

Features:

Automatic Thermal Overload, Ball Bearings, Resilient Cushion Rings, Reversible Rotation, Rugged Steel Base, Terminal Panel with Quick Connections (Single Phase only)

Hp	RPM 60 Hz.	NEMA Frame	Catalog Number	List Price	Mult. Sym.	Type	"C" Dimension	Ap'x. Shpg. Wgt.	Volts	Full Load Amps	S.F.
Single Phase - Permanent Split Capacitor - Open Air-Over											
1/4	1675	48	RHC144A	188	C1	1710C	10.46	20	115/230*	3/1.5	1.00
1/4	1075	48	RHC164A	214	C1	1710C	10.46	24	115/230*	3.4/1.7	1.15
1/3	1675	48	RHC244A	193	C1	1712C	10.46	22	115/230*	3.6/1.8	1.00
1/3	1075	48	RHC264A	219	C1	1714C	10.46	24	115/230*	3.8/1.9	1.15
1/2	1675	48	RHC344A	231	C1	1714C	10.46	24	115/230*	6/3	1.00
1/2	1675	56	RHC345A	233	C1	1714C	11.09	24	115/230*	6/3	1.00
1/2	1075	48	RHC364A	258	C1	1724C	11.96	26	115/230*	6/3	1.00
1/2	1075	56	RHC365A	264	C1	1724C	12.60	26	115/230*	6/3	1.00
3/4	1675	56	RHC445A	247	C1	1720C	11.72	27	115/230*	8/4	1.00
3/4	1075	56	RHC465A	290	C1	1728C	12.60	27	115/230*	8.8/4.4	1.00
1	1675	56	RHC545A	279	C1	1728C	12.60	28	115/230*	10.2/5.1	1.00
1	1075	56	RHC565A	332	C1	1932C	13.92	35	115/230	10.6/5.3	1.00
1 1/2	1675	56	RHC645A	320	C1	1928C	13.04	44	115/230	14.4/7.2	1.00
1 1/2	1075	56	RHC665A	381	C1	1940C	15.29	55	115/230	16/8	1.00
2	1675	56	RHC745A	373	C1	1932C	13.92	48	115/230	19/9.5	1.00
Three Phase - Open Air-Over											
1/4	1725	48	RHM144A	181	C1	1710M	10.46	22	230/460*	1.1/.55	1.25
1/4	1140	48	RHM164A	208	C1	1711M	10.46	22	230/460*	1.3/.65	1.25
1/3	1725	48	RHM244A	188	C1	1712M	10.46	25	230/460*	1.5/.75	1.25
1/3	1140	48	RHM265A	213	C1	1712M	10.46	25	230/460*	1.7/.85	1.25
1/2	1725	48	RHM344A	222	C1	1712M	10.46	25	230/460*	2.3/1.15	1.25
1/2	1725	56	RHM345A	226	C1	1712M	11.09	25	230/460*	2.3/1.15	1.25
1/2	1140	48	RHM364A	251	C1	1720M	10.71	27	230/460*	2.2/1.1	1.25
1/2	1140	56	RHM365A	253	C1	1720M	11.34	26	230/460*	2.2/1.1	1.25
3/4	1725	56	RHM445A	238	C1	1716M	11.09	27	230/460*	3.4/1.7	1.25
3/4	1140	56	RHM465A	287	C1	1726M	12.59	27	230/460*	3.4/1.7	1.15
1	1725	56	RHM545A	278	C1	1724M	11.72	28	230/460*	3.8/1.9	1.15
1	1140	56H	RHM565A	335	C1	1924M	13.04	39	230/460*	3.6-3.5/1.75	1.15
1 1/2	1725	56H	RHM645A	326	C1	1920M	12.04	34	230/460*	5-4.8/2.4	1.15
1 1/2	1140	56H	RHM665A	371	C1	1932M	13.92	48	208-230/460*	5.3-5.2/2.6	1.15
2	1725	56H	RHM745A	362	C1	1924M	13.04	39	208-230/460*	6.5-6.2/3.1	1.15

NOTE: Data subject to change without notice. Contact Baldor for certified data. * Voltage @ 60 Hz. usable @ 208 volts.

Single Phase and Three Phase - Commercial Duty Direct Drive Fan Motors

TEAO - Totally Enclosed Air Over, Resilient Base
1/4 through 1-1/2 Hp
NEMA 48Z, 56 and 56Z



Applications:

Air Handling Fans, Confinement Houses, Exhaust Fans, Unit Heaters,
Designed for Continuous Air-Over Applications with Moderate Starting Loads

Features:

Automatic Thermal Overload, Ball Bearings, Extended Thru-Bolts, Resilient Cushion Rings, Reversible Rotation, Rugged Steel Frame, Suitable for Mounting in any Position, Terminal Panel with Quick Connections (Single Phase only)

Hp	RPM 60 Hz.	NEMA Frame	Catalog Number	List Price	Mult. Sym.	Type	"C" Dimension	Ap'x. Shpg. Wgt.	Volts	Full Load Amps	S.F.
Single Phase - Permanent Split Capacitor - Totally Enclosed Air-Over											
1/4	1725	48Z	CHC144A	197	C1	1712C	11.46	24	115/230*	3/1.5	1.00
1/4	1100	48Z	CHC164A	224	C1	1712C	11.46	24	115/230*	3.2/1.6	1.15
1/3	1700	48Z	CHC244A	207	C1	1714C	11.46	25	115/230*	4.2/2.1	1.15
1/3	1100	48Z	CHC264A	233	C1	1716C	11.46	26	115/230*	4/2	1.15
1/2	1700	48Z	CHC344A	242	C1	1720C	12.09	28	115/230*	5.8/2.9	1.15
1/2	1700	56	CHC345A	244	C1	1720C	12.84	25	115/230*	5.8/2.9	1.15
1/2	1100	48Z	CHC364A	271	C1	1728C	12.96	26	115/230*	6.4/3.2	1.15
1/2	1100	56Z	CHC365A	274	C1	1728C	13.72	26	115/230*	6.4/3.2	1.15
3/4	1700	56	CHC445A	262	C1	1728C	13.72	28	115/230	7.2/3.6	1.15
3/4	1100	56	CHC465A	316	C1	1932C	13.92	48	115/230	9/4.5	1.00
1	1700	56	CHC545A	309	C1	1924C	13.04	39	115/230	9.8/4.9	1.00
1	1075	56	CHC565A †	366	C1	1935C	13.92	51	115/230	10.6/5.3	1.00
1 1/2	1700	56	CHC645A	353	C1	1935C	13.92	49	115/230	13.6/6.8	1.00
Three Phase - Totally Enclosed Air-Over											
1/4	1725	48Z	CHM144A	191	C1	1710M	11.46	25	230/460*	1/5	1.25
1/4	1140	48Z	CHM164A	232	C1	1711M	11.46	25	230/460*	1.3/.65	1.25
1/3	1725	48Z	CHM244A	201	C1	1712M	11.46	20	230/460*	1.3/.65	1.25
1/3	1140	48Z	CHM264A	226	C1	1712M	11.46	26	230/460*	1.7/.85	1.25
1/2	1725	48Z	CHM344A	237	C1	1716M	11.46	24	230/460*	1.9/.95	1.25
1/2	1725	56Z	CHM345A	239	C1	1716M	12.21	23	230/460*	1.9/0.95	1.25
1/2	1140	48Z	CHM364A	264	C1	1718M	11.46	23	230/460*	2.2/1.1	1.25
1/2	1140	56Z	CHM365A	266	C1	1718M	12.21	25	230/460*	2.2/1.1	1.25
3/4	1725	56Z	CHM445A	253	C1	1722M	12.84	27	230/460*	2.8/1.4	1.15
3/4	1140	56Z	CHM465A	305	C1	1728M	13.72	33	208-230/460*	3.6/1.8	1.15
1	1725	56Z	CHM545A	300	C1	1728M	13.72	33	208-230/460*	3.3-3.2/1.6	1.15
1	1140	56	CHM565A	355	C1	1924M	13.04	39	208-230/460*	3.7-3.6/1.8	1.15
1 1/2	1725	56	CHM645A	343	C1	1920M	12.04	34	208-230/460*	5.3-5/2.5	1.15

NOTE: Data subject to change without notice. Contact Baldor for certified data. * Voltage @ 60 Hz. usable @ 208 volts.

Split Phase - Commercial Duty Fan and Blower Motors

ODP - Open Drip Proof, Resilient Base
1/4 through 1/2 Hp, NEMA 48 and 56

Applications:

Air Conditioning Equipment, Blowers, Fans,
Designed for Applications with Moderate Starting Loads



Features:

1.25 Service Factor, Automatic Thermal Overload, Ball Bearings, Reversible Rotation, Rugged Steel Base, Terminal Panel with Quick Connections, Base Notched with Mounting Holes for NEMA 48 and 56

Hp	RPM 60 Hz.	NEMA Frame	Catalog Number	List Price	Mult. Sym.	Type	"C" Dimension	Ap'x. Shpg. Wgt.	Volts	Full Load Amps	S.F.
1/4	1725	48	RSP1441A	168	C1	1710S	10.50	26	115	4.3	1.25
1/4	1725	48	RSP1442A	172	C1	1710S	10.50	27	230	2.1	1.25
1/3	1725	48	RSP2441A	179	C1	1712S	10.50	23	115	5.4	1.25
1/3	1725	48	RSP2442A	183	C1	1712S	10.50	22	230	2.7	1.25
1/3	1725	56	RSP2451A	182	C1	1712S	11.12	27	115	5.4	1.25
1/3	1725	56	RSP2452A	188	C1	1712S	11.12	25	230	2.7	1.25
1/2	1725	48	RSP3441A	209	C1	1716S	10.50	27	115	7.2	1.25
1/2	1725	48	RSP3442A	214	C1	1716S	10.50	23	230	3.5	1.25
1/2	1725	56	RSP3451A	212	C1	1716S	11.12	25	115	7.2	1.25
1/2	1725	56	RSP3452A	217	C1	1716S	11.12	23	230	3.5	1.25

NOTE: Data subject to change without notice. Contact Baldor for certified data.

Incubator/Hatchery - Commercial Duty Vent Fan Motors

TEAO - Totally Enclosed Air Over
1/4 through 1/2 Hp, NEMA 48YZ

Applications:

Direct Drive Hatchery and Incubator Fan Motor



Features:

1.0 Service Factor, 40°C Ambient, 60 Hertz, Automatic Thermal Overload, Ball Bearings, Class B Insulation, Extended Thru-Bolts, Terminal Panel with Quick Connections, Permanent Split Capacitor, Shaft Slinger, 1625 or 1725 RPM Available, Pilot Circuit

Hp	RPM 60 Hz.	NEMA Frame	Catalog Number	List Price	Mult. Sym.	Type	"C" Dimension	Ap'x. Shpg. Wgt.	Volts	Full Load Amps	S.F.
1625 RPM - Permanent Split Capacitor - Totally Enclosed Air-Over											
1/4	1625	48Z	HIC164A	239	C1	1710C	10.14	27	115/230	3.2/1.6	1.00
1/3	1625	48Z	HIC264A	257	C1	1714C	10.14	25	115/230	3.8/1.9	1.00
1/2	1625	48Z	HIC364A	278	C1	1720C	11.11	27	115/230	5.2/2.6	1.00
1725 RPM - Permanent Split Capacitor - Totally Enclosed Air-Over											
1/4	1725	48Z	HIC174A	239	C1	1712C	10.14	27	115/230	3/1.5	1.00
1/3	1725	48Z	HIC274A	257	C1	1714C	10.14	28	115/230	3.8/1.9	1.00
1/2	1725	48Z	HIC374A	278	C1	1720C	11.11	29	115/230	5/2.5	1.00

NOTE: Data subject to change without notice. Contact Baldor for certified data.

Single Phase - Commercial Duty Condenser Fan - OPAO

TEAO - Totally Enclosed Air Over, Round Body
1/4 through 1/2 Hp
NEMA 48YZ



Applications:

Condenser Fans, Heat Pump, Refrigeration, Designed for Continuous Air-Over Applications

Features:

6" Long x 1/2" Diameter Shaft with 2 Flats 90° Apart, 30 Inch Leads, 60°C Ambient, 60 Hertz, Automatic Thermal Overload, Sealed Ball Bearings, Class B Insulation, 370 Volt Capacitor (not included), Extended Thru-Bolts, Permanent Split Capacitor, Reversible Rotation, Shaft Slinger, 1.0 Service Factor

Hp	RPM 60 Hz.	NEMA Frame	Catalog Number	List Price	Mult. Sym.	Type	"C" Dimension	Ap'x. Shpg. Wgt.	Volts	Full Load Amps	Enclosure**
Air-Over - Permanent Split Capacitor - All Angle											
1/4	1075***	48YZ	CFC1624A	168	C1	1718C	14.10	22	208-230	1.35	OPAO
1/4	1075	48YZ	CFC1614A	168	C1	1711C	14.10	20	230*	1.4	OPAO
1/3	1075	48YZ	CFC2614A	186	C1	1721C	14.35	25	230*	1.9	OPAO
1/2	1075***	48YZ	CFC3624A	216	C1	1732C	15.60	29	208-230	2.4-2.7	OPAO
1/2	1075	48YZ	CFC3614A	206	C1	1728C	15.60	29	230*	2.6	OPAO
Air-Over - Permanent Split Capacitor - Closed Except Lead End											
1/4	1075	48YZ	CFC1641A	174	C1	1714C	14.10	20	115	3.7	TEAO
1/4	1075	48YZ	CFC1642A	174	C1	1714C	14.15	20	230*	1.4	TEAO
1/3	1075	48YZ	CFC2641A	191	C1	1721C	14.40	25	115	3.9	TEAO
1/3	1075***	48YZ	CFC2624A	193	C1	1724C	14.70	26	208-230	1.8-2	TEAO
1/3	1075	48YZ	CFC2642A	191	C1	1721C	14.40	24	230*	1.9	TEAO
1/2	1075	48YZ	CFC3641A	209	C1	1728C	15.60	29	115	6.2	TEAO
1/2	1075	48YZ	CFC3642A	209	C1	1728C	15.60	29	230*	2.6	TEAO

NOTE: Data subject to change without notice. Contact Baldor for certified data. * Voltage @ 60 Hz. usable @ 208 volts.

** TEAO = Totally Enclosed Air Over, OPAO = Open Air Over

*** = 2-Speed Motor

Catalog Number	Capacitor Size @ 370-VAC
CFC1641A	5 MFD
CFC2614A	8 MFD
CFC2642A	8 MFD
CFC3614A	10 MFD
CFC3642A	10 MFD
CFC1614A	5 MFD
CFC1624A	7.5 MFD
CFC1642A	5 MFD
CFC2624A	7.5 MFD
CFC2641A	8 MFD
CFC3624A	10 MFD
CFC3641A	10 MFD

**Single Phase -
Commercial Duty
Direct-Drive, Indoor Blower Motors
ODP - Open Drip Proof, Round Body
1/4 through 3/4 Hp
NEMA 48YZ**



Applications:

Air Handling, Evaporators, Furnace Blowers, Designed for Continuous Air-Over Applications

Features:

6" Long x 1/2" Diameter Shaft with 2 Flats 90° Apart, 30 Inch Leads, 40°C Ambient, 60 Hertz, Automatic Thermal Overload, Ball Bearings, Class B Insulation, 370 Volt Capacitor (not included), Extended Thru-Bolts, Permanent Split Capacitor, Reversible Rotation, 1.0 Service Factor

Hp	RPM 60 Hz.	NEMA Frame	Catalog Number	List Price	Mult. Sym.	Type	"C" Dimension	Ap'x. Shpg. Wgt.	Volts	Full Load Amps	S.F.
Open Air-Over - Permanent Split Capacitor											
1/4	1075	48YZ	DDC1641A	161	C1	1711C	12.13	16	115	2.9	1.00
1/4	1075	48YZ	DDC1642A	161	C1	1711C	12.13	14	208-230	1.4-1.5	1.00
1/3	1625	48YZ	DDC2442A	155	C1	1716C	12.69	17	208-230	1.8-1.7	1.00
1/3	1075	48YZ	DDC2641A	182	C1	1716C	12.69	17	115	3.8	1.00
1/3	1075	48YZ	DDC2642A	182	C1	1716C	12.69	18	208-230	1.9-2	1.00
1/2	1075	48YZ	DDC3641A	201	C1	1724C	13.57	20	115	5.8	1.00
1/2	1075	48YZ	DDC3642A	201	C1	1724C	13.57	20	208-230	2.9-2.8	1.00

NOTE: Data subject to change without notice. Contact Baldor for certified data.

Catalog Number	Capacitor Size @ 370-VAC
DDC1641A	10 MFD
DDC1642A	7 MFD
DDC2442A	10 MFD
DDC2641A	10 MFD
DDC2642A	7.5 MFD
DDC3641A	12 MFD
DDC3642A	12 MFD

Single Phase - Commercial Duty Yoke/Pedestal Fan Motors

TEAO - Totally Enclosed Air Over

1/4 through 1/2 Hp

NEMA 48YZ through 56YZ



Applications:

Air Circulation, Designed for Continuous Air-Over Applications

Features:

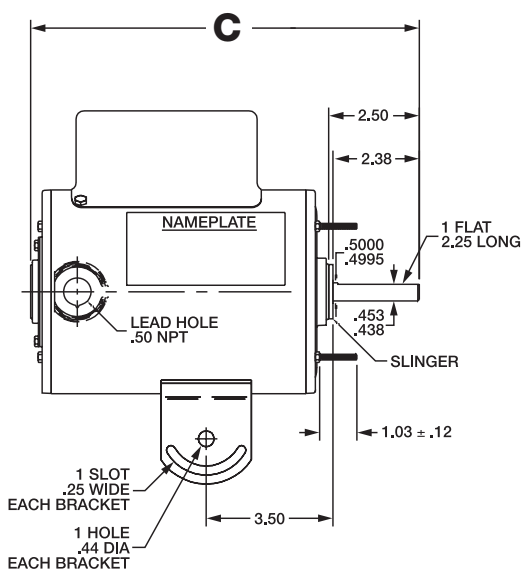
1.0 Service Factor, 40°C Ambient, Automatic Thermal Overload, Ball Bearings, Class B Insulation, Extended Thru-Bolts on 5.13 Inch, Bolt Circle For Mounting Fan Shroud, Heavy Gage Steel Yoke with 180° Slot for Wide Angle Rotation, Permanent Split Capacitor, Pull Chain Switch (2spd only) for High and Low Speed, Reversible Rotation, Shaft Slinger, Terminal Panel with Quick Connections

Hp	RPM 60 Hz.	NEMA Frame	Catalog Number	List Price	Mult. Sym.	Type	"C" Dimension	Ap'x. Shpg. Wgt.	Volts	Full Load Amps	S.F.
Permanent Split Capacitor - Totally Enclosed Air-Over											
1/4	1625	48YZ	YPC144A	173	C1	1708C	10.48	19	115	3.5	1.00
1/4	1075	48YZ	YPC164A	191	C1	1710C	10.48	21	115	3.7	1.00
1/3	1625	48YZ	YPC244A	183	C1	1710C	10.60	21	115	3.9	1.00
1/3	1625	56YZ	YPC245A	186	C1	1710C	10.48	21	115	3.9	1.00
1/3	1075	48YZ	YPC264A	206	C1	1714C	10.48	22	115	4.7	1.00
1/3	1075	56YZ	YPC265A	208	C1	1714C	10.48	22	115	4.7	1.00
1/2	1625	48YZ	YPC344A	213	C1	1716C	10.60	24	115	5.6	1.00
1/2	1625	56YZ	YPC345A	216	C1	1716C	10.48	24	115	5.6	1.00
1/2	1075	48YZ	YPC364A	242	C1	1720C	11.10	25	115	5.6	1.00
Two Speed - Permanent Split Capacitor - Totally Enclosed Air-Over											
1/4	1075/875	48YZ	YPC1624A	207	C1	1716C	12.15	22	115	3.2/2.4	1.00
1/3	1075/875	48YZ	YPC2624A	232	C1	1724C	13.66	25	115	3.9/2.8	1.00
1/3	1075/875	56YZ	YPC2625A	234	C1	1724C	13.66	25	115	3.9/2.8	1.00
1/2	1075/950	48YZ	YPC3624A	296	C1	1732C	14.16	28	115	6.2/5.1	1.00
1/2	1075/950	56YZ	YPC3625A	299	C1	1732C	14.16	28	115	6.2/5.1	1.00

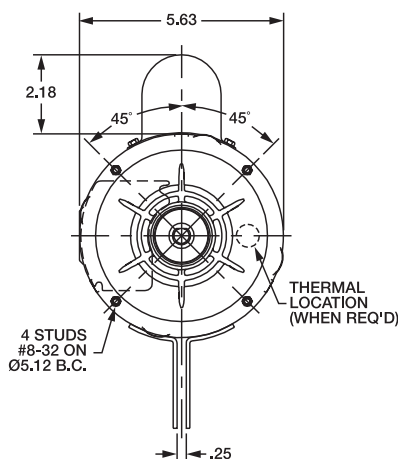
NOTE: Data subject to change without notice. Contact Baldor for certified data.

*"C" Dimension Drawing

* See chart above for "C" dimension.



NEMA Frame	"U" (Shaft Shoulder) Dimension	Description
48	0.500	1 Flat, 2.25" Long
56	0.625	1 Flat, 2.25" Long



BALDOR DISTRICT OFFICES



UNITED STATES

ARIZONA

PHOENIX
4211 S 43RD PLACE
PHOENIX, AZ 85040
PHONE: 602-470-0407
FAX: 602-470-0464

ARKANSAS

CLARKSVILLE
1001 COLLEGE AVE.
CLARKSVILLE, AR 72830
PHONE: 479-754-9108
FAX: 479-754-9205

CALIFORNIA

LOS ANGELES
6480 FLOTILLA
COMMERCE, CA 90040
PHONE: 323-724-6771
FAX: 323-721-5859

HAYWARD

21056 FORBES STREET
HAYWARD, CA 94545
PHONE: 510-785-9900
FAX: 510-785-9910

COLORADO

DENVER
2520 W BARBERRY PLACE
DENVER, CO 80204
PHONE: 303-623-0127
FAX: 303-595-3772

CONNECTICUT

WALLINGFORD
65 SOUTH TURNPIKE ROAD
WALLINGFORD, CT 06492
PHONE: 203-269-1354
FAX: 203-269-5485

FLORIDA

**TAMPA/PUERTO RICO/
VIRGIN ISLANDS**
3906 EAST 11TH AVENUE
TAMPA, FL 33605
PHONE: 813-248-5078
FAX: 813-247-2984

GEORGIA

ATLANTA
62 TECHNOLOGY DR.
ALPHARETTA, GA 30005
PHONE: 770-772-7000
FAX: 770-772-7200

ILLINOIS

CHICAGO
1601 FRONTENAC ROAD
NAPERVILLE, IL 60563
PHONE: 630-848-5100
FAX: 630-848-5110

INDIANA

INDIANAPOLIS
5525 W. MINNESOTA STREET
INDIANAPOLIS, IN 46241
PHONE: 317-246-5100
FAX: 317-246-5110

IOWA

DES MOINES
1800 DIXON STREET, SUITE C
DES MOINES, IA 50316
PHONE: 515-263-6929
FAX: 515-263-6515

MARYLAND

BALTIMORE
6660 SANTA BARBARA RD.
SUITE 22-24
ELKBRIDGE, MD 21075
PHONE: 410-579-2135
FAX: 410-579-2677

MASSACHUSETTS

BOSTON
6 PULLMAN STREET
WORCESTER, MA 01606
PHONE: 508-854-0708
FAX: 508-854-0291

MICHIGAN

DETROIT
33782 STERLING PONDS BLVD.
STERLING HEIGHTS, MI 48312
PHONE: 586-978-9800
FAX: 586-978-9969

GRAND RAPIDS

668 3 MILE ROAD NW
GRAND RAPIDS, MI 49504
PHONE: 616-785-1784
FAX: 616-785-1788

MINNESOTA

MINNEAPOLIS
21080 134TH AVE. NORTH
ROGERS, MN 55374
PHONE: 763-428-3633
FAX: 763-428-4551

MISSOURI

ST LOUIS
422 INDUSTRIAL DRIVE
MARYLAND HEIGHTS, MO
63043
PHONE: 314-298-1800
FAX: 314-298-7660

KANSAS CITY

915 N W PLATTE VALLEY DR
RIVERSIDE, MO 64150
PHONE: 816-587-0272
FAX: 816-587-3735

NEW YORK

AUBURN
ONE ELLIS DRIVE
AUBURN, NY 13021
PHONE: 315-255-3403
FAX: 315-253-9923

NORTH CAROLINA

GREENSBORO
1220 ROTHERWOOD ROAD
GREENSBORO, NC 27406
P O BOX 16500
GREENSBORO, NC 27416
PHONE: 336-272-6104
FAX: 336-273-6628

OHIO

CINCINNATI
2929 CRESCENTVILLE ROAD
WEST CHESTER, OH 45069
PHONE: 513-771-2600
FAX: 513-772-2219

CLEVELAND

8929 FREEWAY DRIVE
MACEDONIA, OH 44056
PHONE: 330-468-4777
FAX: 330-468-4778

OKLAHOMA

TULSA
2 EAST DAWES
BIXBY, OK 74008
PHONE: 918-366-9320
FAX: 918-366-9338

OREGON

PORTLAND
20393 SW AVERY COURT
TUJALATIN, OR 97062
PHONE: 503-691-9010
FAX: 503-691-9012

PENNSYLVANIA

PHILADELPHIA
1035 THOMAS BUSCH
MEMORIAL HIGHWAY
PENNSAUKEN, NJ 08110
PHONE: 856-661-1442
FAX: 856-663-6363

PITTSBURGH

616H BEATTY ROAD
MONROEVILLE, PA 15146
PHONE: 412-380-7244
FAX: 412-380-7250

TENNESSEE

MEMPHIS
4000 WINCHESTER ROAD
MEMPHIS, TN 38118
PHONE: 901-365-2020
FAX: 901-365-3914

TEXAS

HOUSTON
4647 PINE TIMBERS
SUITE # 135
HOUSTON, TX 77041
PHONE: 713-895-7062
FAX: 713-690-4540

DALLAS

3040 QUEBEC
DALLAS, TX 75247
PHONE: 214-634-7271
FAX: 214-634-8874

UTAH

SALT LAKE CITY
2230 SOUTH MAIN STREET
SALT LAKE CITY, UT 84115
PHONE: 801-832-0127
FAX: 801-832-8911

WISCONSIN

MILWAUKEE
2725 SOUTH 163RD STREET
NEW BERLIN, WI 53151
PHONE: 262-784-5940
FAX: 262-784-1215

INTERNATIONAL SALES

FORT SMITH, AR
P.O. BOX 2400
FORT SMITH, AR 72902
PHONE: 479-646-4711
FAX: 479-648-5895

CANADA

EDMONTON, ALBERTA
4053-92 STREET
EDMONTON, ALBERTA T6E 6R8
PHONE: 780-434-4900
FAX: 780-438-2600

OAKVILLE, ONTARIO

2750 COVENTRY ROAD
OAKVILLE, ONTARIO L6H 6R1
PHONE: 905-829-3301
FAX: 905-829-3302

MONTREAL, QUEBEC

1844 WILLIAM STREET
MONTREAL, QUEBEC H3J 1R5
PHONE: 514-933-2711
FAX: 514-933-8639

VANCOUVER, BRITISH COLUMBIA

1538 KEBET WAY
PORT COQUITLAM, BC V3C 5M5
PHONE 604-421-2822
FAX: 604-421-3113

WINNIPEG, MANITOBA

54 PRINCESS STREET
WINNIPEG, MANITOBA R3B 1K2
PHONE: 204-942-5205
FAX: 204-956-4251

AUSTRALIA

UNIT 3, 6 STANTON ROAD
SEVEN HILLS, NSW 2147,
AUSTRALIA
PHONE: (61) (2) 9674 5455
FAX: (61) (2) 9674 2495

UNIT 8, 5 KELLETTS ROAD

ROWVILLE, VICTORIA, 3178
AUSTRALIA
PHONE: (61) (3) 9753 4355
FAX: (61) (3) 9753 4366

AMÉRICA DEL SUR

APTDO. 9109 0818 ZONA 6
BETHANIA,
CIUDAD DE PANAMÁ, PANAMÁ
PHONE: +507 261-5347
FAX: +507 261-5355

CENTRO AMÉRICA Y CARIBE

RESIDENCIAL PINARES DE SUIZA
POL. 15 #44,
NVA. SAN SALVADOR, EL SALVADOR
PHONE: +503 2288-1519
FAX: +503 2288-1518

CHINA

SHANGHAI JIAHUA BUSINESS CENTER
ROOM NO. A-8421
808 HONG QIAO ROAD
SHANGHAI 200030
PHONE: 86-21-64473060
FAX: 86-21-64078620

GERMANY

DIESELSTRASSE 22
D-85551 KIRCHHEIM
MUNICH, GERMANY
PHONE: (49) (89) 90508 0
FAX: (49) (89) 90508 492

INDIA

14, COMMERCE AVENUE
MAHAGANESH COLONY
PAUD ROAD
PUNE - 411 038
MAHARASHTRA, INDIA
PHONE: 91 20 25 45 95 30
FAX: 91 20 5 4 95 30

ITALY

BALDOR ASR AG
SUCCURSALE DI MENDRISIO
VIA BORROMINI, 20A
CH-6850 MENDRISIO
SWITZERLAND
PHONE: 41 91 640 9952
FAX: 41 91 630 2633

JAPAN

DIA BLDG 802,
2-21-1 TSURUYA-CHO,
KANAGAWA-KU
YOKOHAMA, 221-0835, JAPAN
PHONE: 81-45-412-4506
FAX: 81-45-412-4507

KOREA

ROOM 208-37
INCHEON INDUSTRIAL GOODS
CIRCULATING CENTER
SONGHYEON 3-DONG, DONG-GU
INCHEON, KOREA, 401-705
PHONE: 82 32 588 3253
FAX: 82 32 588 3254

MÉXICO

KM. 2.0 BLVD. AL AEROPUERTO
LEÓN 37545, GUANAJUATO,
MÉXICO
PHONE: 52 477 761 2030
FAX: 52 477 761 2010

MIDDLE EAST & NORTH AFRICA

VSE INTERNATIONAL CORP.
3233 NORTH ARLINGTON HEIGHTS
SUITE 100W
ARLINGTON HEIGHTS, IL 60004
PHONE: 847 590 5547

SINGAPORE

51 KAKI BUKIT ROAD 2
K B WAREHOUSE COMPLEX
SINGAPORE 417863
PHONE: (65) 6 744 2572
FAX: (65) 6 747 1708

SWITZERLAND

POSTFACH 73
SCHUTZENSTRASSE 59
CH-8245 FEUERTHALEN
SWITZERLAND
PHONE: (41) (52) 6474700
FAX: (41) (52) 6592394

TAIWAN

4F, NO. 25, SEC. 1,
TUNHUA S ROAD,
TAIPEI 10557, TAIWAN, R.O.C.
PHONE: (886-2) 2577-4352
FAX: (886-2) 2577-4157

UNITED KINGDOM

6 BRISTOL DISTRIBUTION PARK
HAWKLEY DRIVE
BRISTOL BS32 0BF U.K.
PHONE: 44 1454 859000
FAX: 44 1454 8590019

BALDOR

P.O. Box 2400 • Fort Smith, AR 72902-2400 U.S.A.

Ph: (479) 646-4711 • Fax (479) 648-5792

International Fax (479) 648-5895

www.baldor.com