

Industrial Synchronous Generators

Baldor Quality and Reliability

When reliability counts, count on Baldor to provide you with the highest quality revolving field brushless generators in the industry. Our durability is second to none. Baldor generators are designed for rugged operation and are used on a daily basis in commercial, industrial and military applications worldwide.

Designed and Manufactured to Industrial Standards

Mechanical: Exposed laminations? Not here! Baldor offers you total protection by starting with a rolled steel band that protects the full length of the generator. Solid magnetic grade steel laminations and added copper go inside for superior motor starting and voltage control. Our copper wire is double enamel coated for maximum protection and higher efficiency. For added protection, we fully submerge the stator and rotor in thermal set epoxy varnish and bake it for superior strength and to protect the windings from moisture and debris. Sealed ball bearings insure a smooth performance while providing maximum life.

Stamped Steel Winding Locks:

The two-pole design offers the additional benefit of stamped steel winding locks. These steel plates protect the rotor windings in the event of an overspeed condition up to 4500 RPM!



Electrical – Two-Pole Self Excited:

Baldor two-pole AC generators are self-exciting, drip-proof, brushless rotating field units. With only one rotating winding (no exciter) and without electronic control, Baldor two-pole generators offer simplicity along with extreme reliability.

- Dedicated single phase
- Series (220V or 240V)
- Parallel (110V or 120V)
- Rotor insulation class H, stator class F
- Voltage regulation $\pm 5\%$

For loads with critical power requirements, two and four-pole externally excited generators are available. With automatic voltage regulation, these models are suitable for sensitive computer and electronic loads.

BALDOR
GENERATORS

Electrical – AVR self excited

For loads with critical power requirements, two and four-pole externally excited generators are available. With automatic voltage regulation, and available in single or three-phase configuration, these models are suitable for sensitive computer and electronic loads.

Two-bearing generators – 2.2 kW – 8 kW.

Baldor two-bearing generators are designed for belt and direct drive applications. Through the utilization of pulleys and or couplings attached to the generator shaft extension, reciprocating engines, electric motors, trucks, or tractors can drive the generator. They are designed for clockwise or counter clockwise rotation and are available in 60 Hz or 50 Hz models.

Stock Designs – Ready for your application

Baldor has a generator that is engineered to fit your application. Our revolving field brushless generators are available from 2.2 kW to 25 kW in both single and two-bearing configurations. Our “one design” concept provides for interchangeability of many common parts and ease of maintenance.

OEM Applications:

- Gensets/portable
- Gensets/standby
- Light towers
- Pressure washers
- Utility trailers
- Steam cleaners

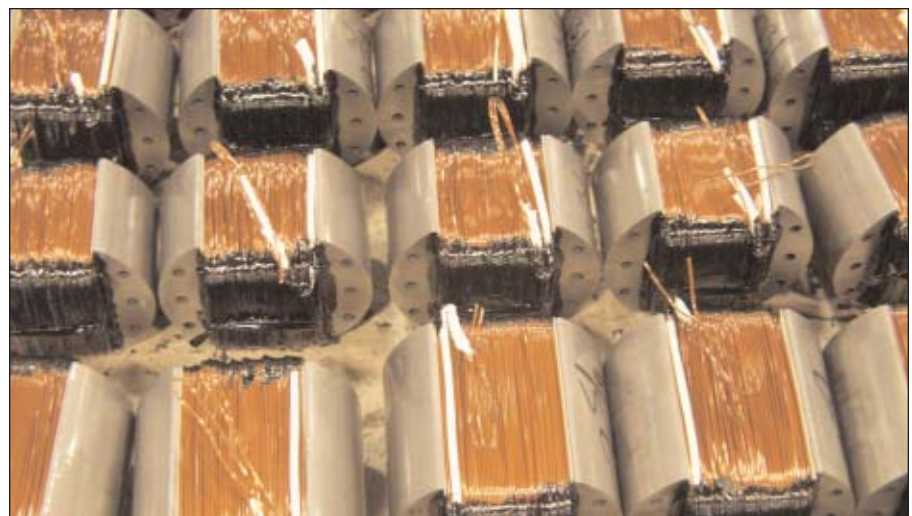
Let us design a generator for you.

If your application is special, let Baldor help you design a generator that will fill your power generation needs. From the ultra rugged coatings and enclosures that we provide for military applications to the highly technical specifications necessary for today's telecommunications industry, we can design a generator to your exact specifications.



Warranty: Baldor sets the standard

Everybody tells you that their generators are the best. Baldor backs it up with an industry leading limited 3-year warranty providing you years of maintenance free operation. Ask your local Baldor Generator distributor to show you the best generators for your product application.



Baldor Single Bearing Generators

60 Hz – 2 Pole – 3600 RPM – Capacitor Excited

| Model | Watts | Phase | Volts | Wire | Adapter | Weight | "A" | List |
|--------|-------|-------|---------|------|-----------|--------|--------|-----------|
| SB3036 | 3000 | 1 | 120 | 2 | SAE J609B | 41 | 10.625 | \$ 876.00 |
| SB5036 | 5000 | 1 | 120/240 | 3 | SAE J609B | 60 | 12.875 | 976.00 |
| SB6036 | 6000 | 1 | 120/240 | 3 | SAE J609B | 69 | 13.750 | 1,066.00 |
| SB9036 | 9000 | 1 | 120/240 | 3 | SAE J609B | 94 | 14.750 | 1,403.00 |

3 Phase available – Please consult Baldor

60 Hz – 2 Pole – 3600 RPM – Automatic Voltage Regulator

| | | | | | | | | |
|--------|-------|---|---------|---|-----------|-----|--------|----------|
| SB1036 | 10000 | 1 | 120/240 | 4 | SAE J609B | 145 | 15.250 | 1,590.00 |
| SB1236 | 12000 | 1 | 120/240 | 4 | SAE J609B | 151 | 15.500 | 1,660.00 |

3 Phase available – Please consult Baldor

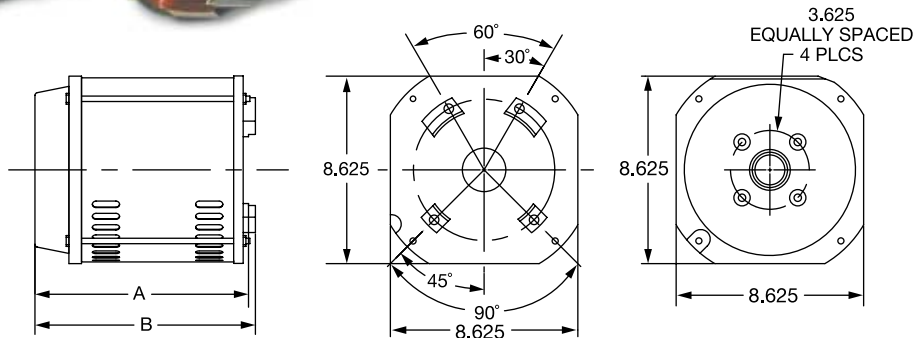
60 Hz – 4 Pole – 1800 RPM – Capacitor Excited – Pancake

| | | | | | | | | |
|--------|------|---|---------|---|-------|-----|-------|----------|
| SB6518 | 6500 | 1 | 120/240 | 4 | SAE 4 | 107 | 9.000 | 1,322.00 |
| SB8018 | 8000 | 1 | 120/240 | 4 | SAE 4 | 117 | 9.375 | 1,435.00 |

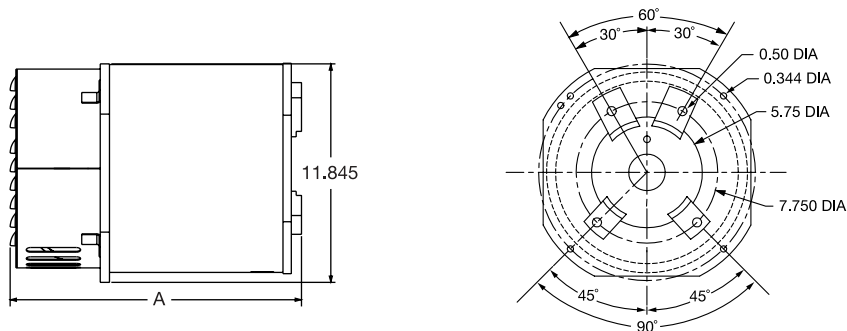
60 Hz – 4 Pole – 1800 RPM – Automatic Voltage Regulator

| | | | | | | | | |
|--------|-------|---|---------------------|----|-------|-----|--------|----------|
| SB2018 | 20000 | 3 | 120/240/208/240/480 | 12 | SAE 4 | 355 | 21.750 | 1,916.00 |
| SB2518 | 25000 | 1 | 120/240 | 4 | SAE 4 | 335 | 23.500 | 2,106.00 |

Specifications may change without notice – Consult Baldor for additional configurations.



3,000 W to 9,000 W Dimensions



10,000 W and 12,000 W Dimensions

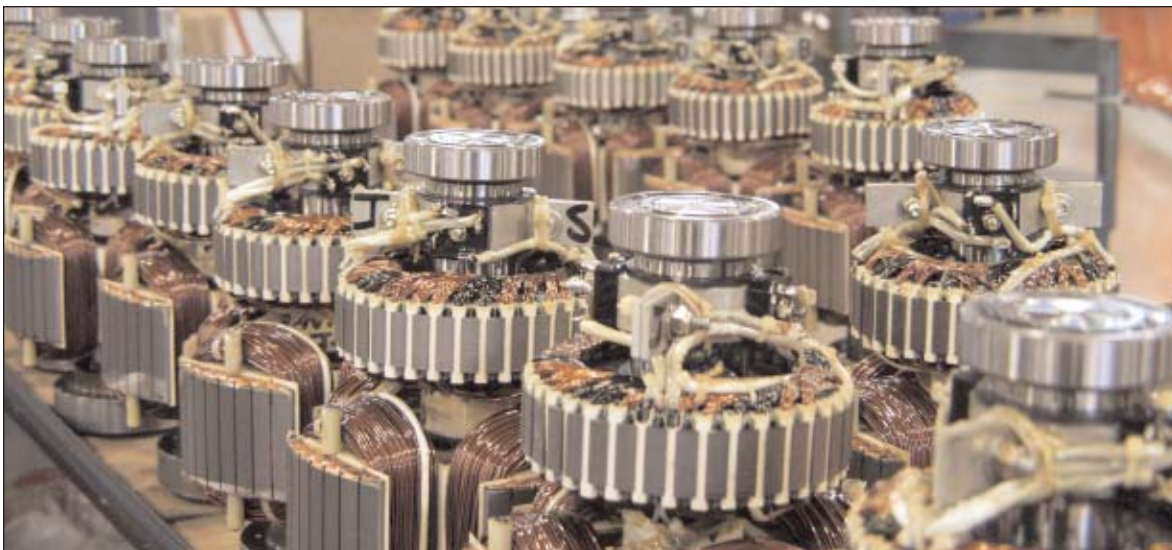
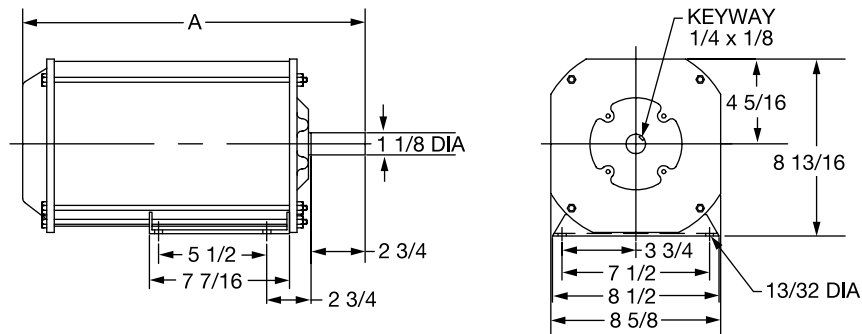
Specifications

Baldor Two Bearing Generators – 2-Pole – 3600 RPM

| 60 Hz – 3600 RPM | | | | | | | Dim. "A" | 50 Hz – 3000 RPM | | | | | | |
|------------------|-------|---------|-----------|------|-----|-----------|-------------|------------------|-------|--------|------|------|-----|-----------|
| Model | Watts | Volts* | Amps | Wire | Wt. | Price | | Model | Watts | Volts* | Amps | Wire | Wt. | List |
| BDB2236 | 2250 | 120 | 18.75 | 2 | 46 | \$ 645.00 | 13.62 | BDB1830 | 1800 | 220 | 8.2 | 2 | 46 | \$ 645.00 |
| BDB3036 | 3000 | 120 | 25.0 | 2 | 54 | 685.00 | 15.12 | BDB2530 | 2500 | 220 | 11.4 | 2 | 54 | 685.00 |
| BDB5036-01 | 5000 | 120/240 | 41.7/20.8 | 3 | 67 | 765.00 | 16.25 | BDB4030 | 4000 | 220 | 18.2 | 2 | 67 | 765.00 |
| BDB6036-01 | 6000 | 120/240 | 50.0/25.0 | 3 | 76 | 835.00 | 16.87 | BDB5030 | 5000 | 220 | 22.7 | 2 | 76 | 835.00 |
| BDB036 | 8000 | 120/240 | 66.7/33.3 | 3 | 101 | 1,099.00 | 17.87 | BDB6530 | 6500 | 220 | 29.5 | 2 | 101 | 1,099.00 |

NOTES: *Three Phase voltages available upon request.
 Clockwise or counterclockwise rotation
 Specifications may change without notice.

Two Bearing Dimensions



BALDOR
GENERATORS

Baldor Electric Company
 P.O. Box 2400

Fort Smith, AR 72902-2400 U.S.A.
 Phone (479) 646-4711 Fax (479) 648-5792
 International Fax (479) 648-5895
www.baldor.com