

Instruction Manual

DODGE® Ball Bearing Injection-Molded End Covers

These instructions must be read thoroughly before installation or operation.

WARNING: To ensure that drive is not unexpectedly started, turn off and lock out or tag power source before proceeding. Failure to observe these precautions could result in bodily injury.

INSTALLATION - Series 204-212

1. After installation of bearing on shaft, remove grease lubrication fitting with a 7/16" (11mm) socket or wrench.
2. Place serrated belleville washer onto threaded side of lubrication fitting.
3. Insert the lubrication fitting through the serrated washer provided. Place the raised small end toward the hex portion of the fitting. Reinsert the fitting into the bearing housing through the end cover mounting slot. The washer will be between the end cover slot and fitting. Make sure no dirt or debris enters the fitting opening.
4. Hold cover firmly against face of bearing housing and tighten lubrication fitting with socket or wrench compressing both washer and end cover mounting tangs. Seating torque required is approximately 30 in.-lb. (34 kgf-cm or 340 N-cm). A tight compression and slight spreading of mounting tangs is normal and acceptable.
5. For non re-lube bearings, order hex head plug (part number 430020).

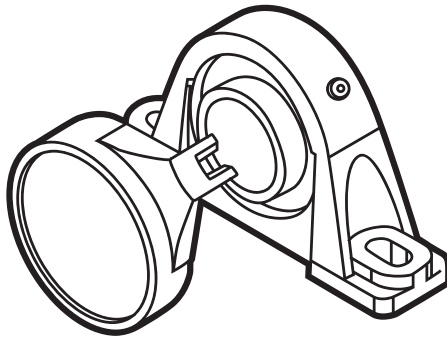


Figure 1

WARNING: Because of the possible danger to person(s) or property from accidents which may result from the improper use of products, it is important that correct procedures be followed. Products must be used in accordance with the engineering information specified in the catalog. Proper installation, maintenance and operation procedures must be observed. The instructions in the instruction manuals must be followed. Inspections should be made as necessary to assure safe operation under prevailing conditions. Proper guards and other suitable safety devices or procedures, as may be desirable, or as may be specified in safety codes should be provided, and are neither provided by Baldor Electric Company, nor are the responsibility of Baldor Electric Company. This unit and its associated equipment must be installed, adjusted and maintained by qualified personnel who are familiar with the construction and operation of all equipment in the system and the potential hazards involved. When risks to persons or property may be involved, a holding device must be an integral part of the driven equipment beyond the speed reducer output shaft.



Modifying End Cover to Allow for Through or Extended Shafts

1. One or more groove guides can be found on the inside face of the end cover. These will conform to shaft diameters equal to or greater than bearing bore sizes for that particular series. Prior to mounting, use a utility knife to score bottom of groove from inside of end cover to a diameter consistent with your shaft size (Figure 2).

NOTE: For applications involving slight misalignment, DODGE recommends scoring the OD larger than the bearing bore.

2. Knock out or press bore slug of end cover out.

NOTE: 'P' style covers will only fit properly on shaft attachment side of pillow blocks.

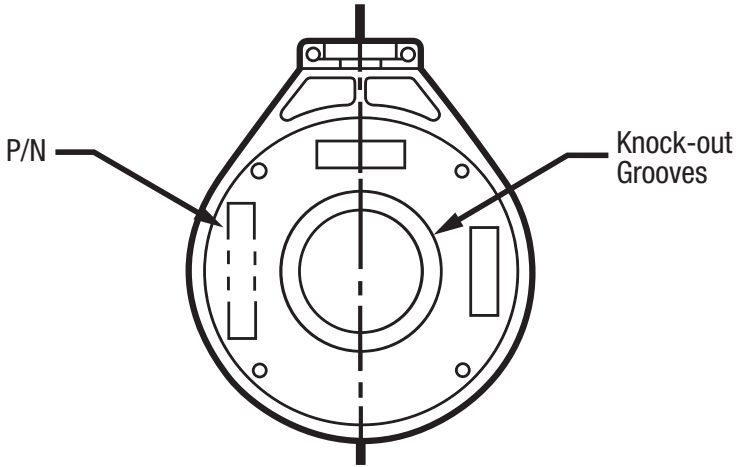


Figure 2



BALDOR

A MEMBER OF THE ABB GROUP

P.O. Box 2400, Fort Smith, AR 72902-2400 U.S.A., Ph: (1) 479.646.4711, Fax (1) 479.648.5792, International Fax (1) 479.648.5895

Dodge Product Support

6040 Ponders Court, Greenville, SC 29615-4617 U.S.A., Ph: (1) 864.297.4800, Fax: (1) 864.281.2433

www.baldor.com