

Kiln Duty MOTORS

Baldor- Reliance Kiln Duty motors are designed and manufactured for long life on fan and conveyor applications within soft and hardwood drying kilns. These demanding applications require robust electrical designs and mechanical construction to provide reliable motor operation when exposed to high ambient temperatures and extreme humidity levels. Motors are available on a custom build to order basis for design flexibility. Customers may choose from 2 different ambient levels (95 °C and 120 °C) along with available 10:1 variable torque speed range at 95 °C.



250T – 320T frames have single drilled mounting holes



360T – 440T frames have dual drilled mounting holes

PRODUCT LINE

Horsepower: 5 to 60 HP

Speed (RPM): 1800, 1200, 900

Voltage: 460 & 575 Volt

Ambient: 95°C or 120°C

Enclosure: Cast Iron, Open Drip Proof

Inverter Operation: 10:1 Variable Torque at 95°C at 1.0 s.f.

ELECTRICAL FEATURES

- NEMA Premium efficiency per NEMA Table 12-12
- NEMA Design B Torque characteristics
- Single Voltage; 460V, 575V at 60 Hz, Sine Wave Power (3 leads)
- Class H+ insulation (180°C max temp)
- Inverter ready designs meet NEMA MG1 Part 31.4.4.2
- 10:1 VT, 1.0 Service Factor on Inverter – available on 95°C design
- Engineering review required for Inverter capability at 120°C ambient and/or CT speed ranges

WARRANTY & AGENCY APPROVALS

- 12 Month warranty
- NEMA Premium® efficiency per NEMA table (12-12)
- UL component recognition

MECHANICAL FEATURES

- Cast Iron Construction includes - Frame, brackets, bearing retainers, conduit box & cover
- 8-foot leads (Silicone rubber with glass over braid)
- 8-foot Lead Sleeves (insulated coated fiberglass)
- Locked pulley end bearing construction
- Regreasible Open Ball Bearing - Heat Stabilized to 150°C
- High Temperature Grease: Dow Corning 44
- Alemite grease inlet and auto relief fitting on both ends of motor
- Corrosion resistant hardware
- Corrosion resistant 2 Part Epoxy Paint system
- Internal epoxy coating (rotor and internal surfaces)
- Stainless Steel nameplate - Laser etched

Kiln Duty Motors

HP	RPM	Frame	Base Motor List \$
5	4	256T	\$4,573
5	6	256T	4,592
5	8	256T	6,239
7.5	4	256T	4,780
7.5	6	256T	4,810
7.5	8	256T	7,146
10	4	256T	4,962
10	6	256T	5,467
10	8	286T	9,041
15	4	256T	5,221
15	6	284T	6,454
15	8	326T	10,613
20	4	256T	5,886
20	6	286T	7,284
20	8	364T/5T	12,182
25	4	286T	6,599
25	6	326T	9,046
25	8	364T/5T	13,554
30	4	326T	9,086
30	6	364T/5T	10,191
30	8	364T/5T	14,082
40	4	364T/5T	9,815
40	6	364T/5T	11,188
40	8	404T/5T	18,407
50	4	364T/5T	10,601
50	6	404T/5T	15,122
50	8	404T/5T	19,949
60	4	364T/5T	11,388
60	6	404T/5T	16,300
60	8	444T/5T	26,217

Figure 1

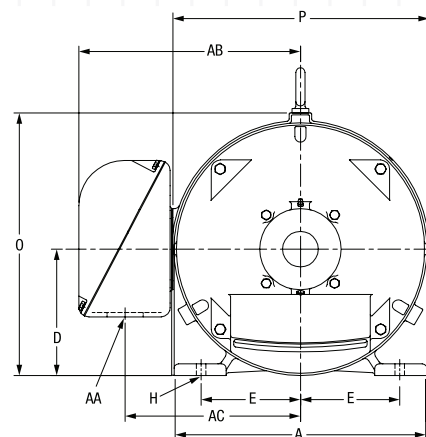
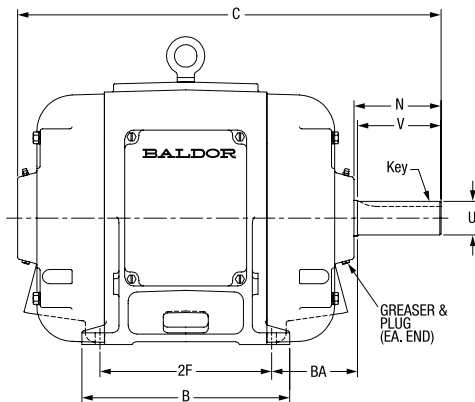
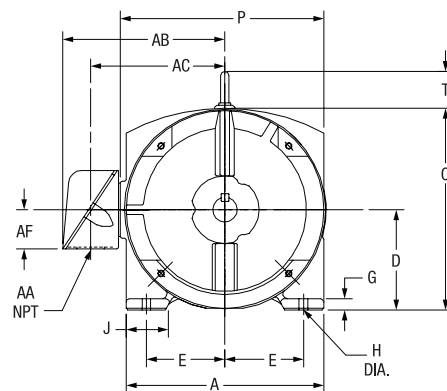
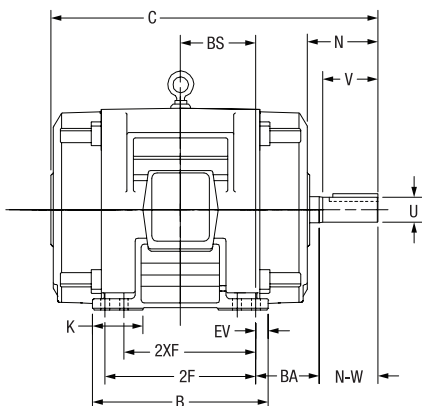


Figure 2



Dimensions in Inches

Frame	Figure #	Mounting				A	B	BA	C	D	P
		E	2F	2XF	H						
254T	1	5.00	8.25	-	0.53	12.63	9.75	4.25	20.63	6.25	12.63
256T	1	5.00	10.00	-	0.53	12.63	11.50	4.25	22.38	6.25	12.88
284T	1	5.50	9.50	-	0.53	13.68	11.50	4.75	23.44	7.00	14.06
286T	1	5.50	11.00	-	0.53	13.68	13.00	4.75	24.94	7.00	14.06
324T	1	6.25	10.50	-	0.66	15.88	12.88	5.25	26.13	8.00	16.21
326T	1	6.25	12.00	-	0.66	15.88	14.50	5.25	27.63	8.00	16.21
364T/5T	2	7.00	12.25	11.25	0.69	17.00	14.25	5.88	29.70	9.00	19.56
404T/5T	2	8.00	13.75	12.25	0.81	19.00	16.00	6.62	34.00	10.00	21.81
444T/5T	2	9.00	16.50	14.50	0.81	21.00	19.00	7.50	39.56	11.00	23.62

Frame	Figure #	EV	N	Shaft & Key				Terminal Box			O+T
				U	V	Square	Length	AA	AB	AC	
254T	1	5.00	8.25	-	0.53	12.63	9.75	4.25	20.63	6.25	12.63
256T	1	5.00	10.00	-	0.53	12.63	11.50	4.25	22.38	6.25	12.88
284T	1	5.50	9.50	-	0.53	13.68	11.50	4.75	23.44	7.00	14.06
286T	1	5.50	11.00	-	0.53	13.68	13.00	4.75	24.94	7.00	14.06
324T	1	6.25	10.50	-	0.66	15.88	12.88	5.25	26.13	8.00	16.21
326T	1	6.25	12.00	-	0.66	15.88	14.50	5.25	27.63	8.00	16.21
364T/5T	2	7.00	12.25	11.25	0.69	17.00	14.25	5.88	29.70	9.00	19.56
404T/5T	2	8.00	13.75	12.25	0.81	19.00	16.00	6.62	34.00	10.00	21.81
444T/5T	2	9.00	16.50	14.50	0.81	21.00	19.00	7.50	39.56	11.00	23.62

BALDOR

A MEMBER OF THE ABB GROUP

Baldor Electric Company

P.O. Box 2400 • Fort Smith, AR 72902-2400 U.S.A.

Phone (479) 646-4711 • Fax (479) 648-5792

www.baldor.com