

ER SERIES BALL BEARINGS

BEARINGS

**Dodge ER-Style Ball Bearings:
A Versatile Offering for Many
Applications**

- High-quality Dodge-manufactured bearings
- Cylindrical outer diameter with snap-ring retention to fit user equipment
- Availability in two shaft attachment methods:
 - Set screw (ER-SC) – 65° set screw angle for maximum shaft grip
 - D-Lok™ (ER-DL) – Clamp collar grip for maximum concentricity to minimize vibration
- Size ranges:
 - Set screw – 204 series (3/4" bore size) through 218 series (3-7/16" bore size)
 - D-Lok™ – 204 series (3/4" bore size) through 212 series (2-7/16" bore size)
- Dodge's mechanically-retained ProGuard™ seal and flinger package to prevent contamination and maximize product life in dirty applications
- Standard snap-ring design for suitability in a wide variety of industries and applications, including:
 - Material-handling
 - Unit-handling
 - Conveying equipment / rollers
 - Agricultural machinery
 - Paper machinery
 - Packaging machinery
 - Printing machinery
 - Cylindrical rollers
- Relubricatable design
- Interchangeability with the critical mounting dimensions of many competitive offerings
- Modifications available upon request including:
 - Premium triple-lip seal design
 - Premium MaxLife™ cage design for lubrication retention
 - High-temperature synthetic grease offering
 - Low-drag Labyrinth seal offering
- Most common bore sizes available from stock

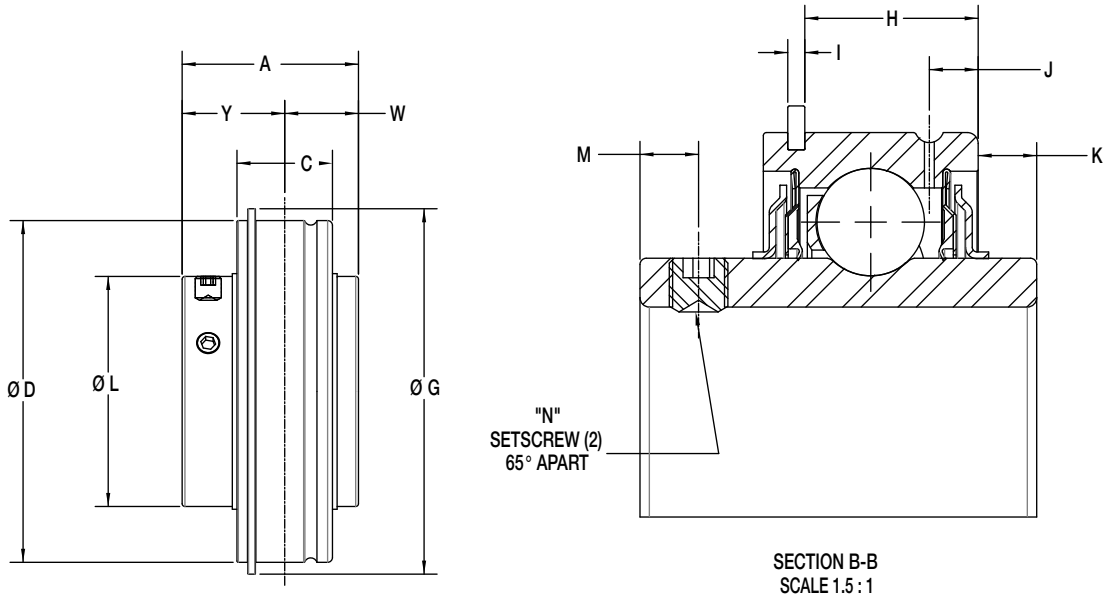


ER-DL



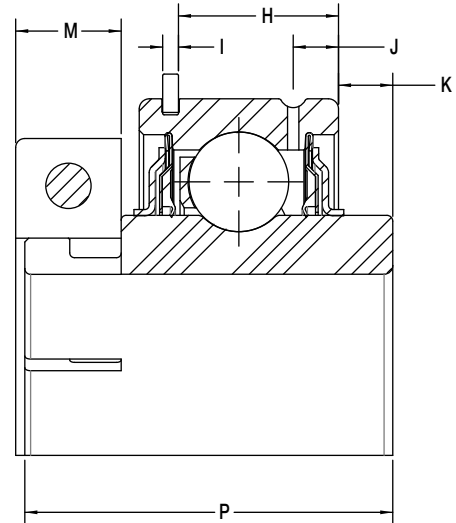
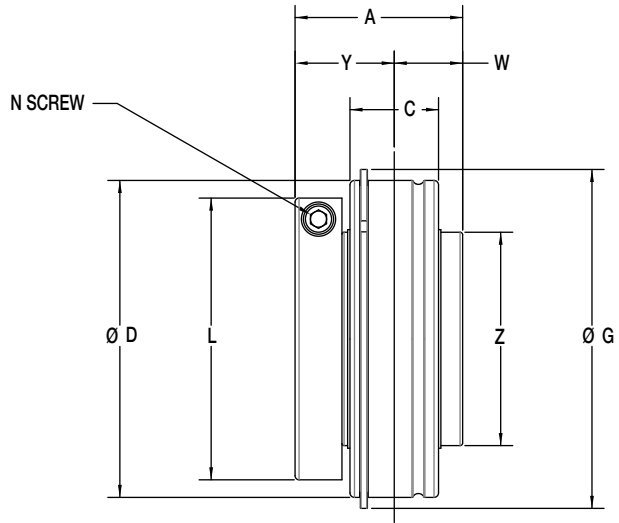
ER-SC

ER-SC Ball Bearing



Series	Shaft Sizes	Standard		A	C	D	G	H	I	J	K	L	M	N	W	Y	Capacities (lb.)	
		Part No.	Description														Static	Dynamic
204	3/4	127375	INS-ER-SC-012	1.23	0.719	1.85	2.064	0.483	0.042	0.171	0.094	1.115	0.224	1/4-28	0.5	0.73	1482	2915
	7/8	127376	INS-ER-SC-014	1.341	0.75	2.047	2.265	0.557	0.042	0.149	0.185	1.323	0.25		0.56	0.781	1769	3153
205	15/16	127377	INS-ER-SC-015															
	1	127378	INS-ER-SC-100															
206	1-1/8	127379	INS-ER-SC-102	1.52	0.831	2.441	2.654	0.679	0.065	0.22	0.187	1.571	0.312	0.58	0.94	2538	4377	
	1-3/16	127380	INS-ER-SC-103															
	1-1/4	127381	INS-ER-SC-104S															
207	1-1/4	127382	INS-ER-SC-104	1.713	0.92	2.835	3.08	0.741	0.065	0.22	0.218	1.842	0.375	5/16-24	0.67	1.043	3461	5778
	1-3/8	127383	INS-ER-SC-106															
	1-7/16	127384	INS-ER-SC-107															
208	1-1/2	127385	INS-ER-SC-108	1.938	1.093	3.1496	3.395	0.896	0.065	0.25	0.203	2.052	0.375	0.75	1.093	4475	7342	
	1-5/8	127386	INS-ER-SC-110															
209	1-11/16	127387	INS-ER-SC-111	1.938	1.093	3.3465	3.592	0.896	0.065	0.25	0.203	2.224	0.375	0.75	1.188	4906	7887	
	1-3/4	127388	INS-ER-SC-112															
210	1-15/16	127389	INS-ER-SC-115	1.938	1.125	3.543	3.788	0.802	0.095	0.203	0.188	2.429	0.375	0.75	1.188	5213	7890	
	2	127390	INS-ER-SC-200															
211	2	127391	INS-ER-SC-200L	2.223	1.188	3.937	4.182	0.959	0.095	0.3	0.281	2.715	0.375	0.875	1.348	6588	9754	
	2-3/16	127392	INS-ER-SC-203															
212	2-7/16	127393	INS-ER-SC-207	2.312	1.25	4.3307	4.576	1.021	0.095	0.3	0.275	2.966	0.375	3/8-24	0.9	1.412	8100	11797
214	2-11/16	127394	INS-ER-SC-211	2.539	1.375	4.9213	5.262	1.097	0.109	0.375	0.375	3.313	0.375	1.062	1.477	9838	13999	
215	2-15/16	127395	INS-ER-SC-215	2.329	1.5	5.1181	5.467	1.222	0.109	0.375	0.111	3.624	0.375	0.861	1.468	11108	14878	
216	3-3/16	127396	INS-ER-SC-303	2.381	1.688	5.5118	5.867	1.377	0.109	0.438	0.037	3.828	0.375	0.881	1.5	13102	17420	
218	3-7/16	127397	INS-ER-SCM-307	2.562	1.938	6.299	6.673	1.627	0.109	0.438	-0.01	4.354	0.375	0.96	1.602	16641	21528	

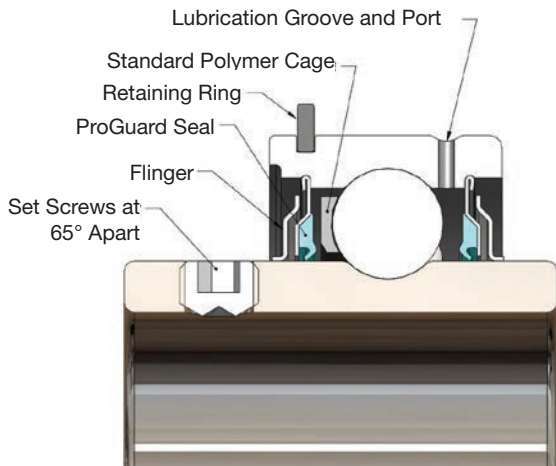
ER-DL Ball Bearing



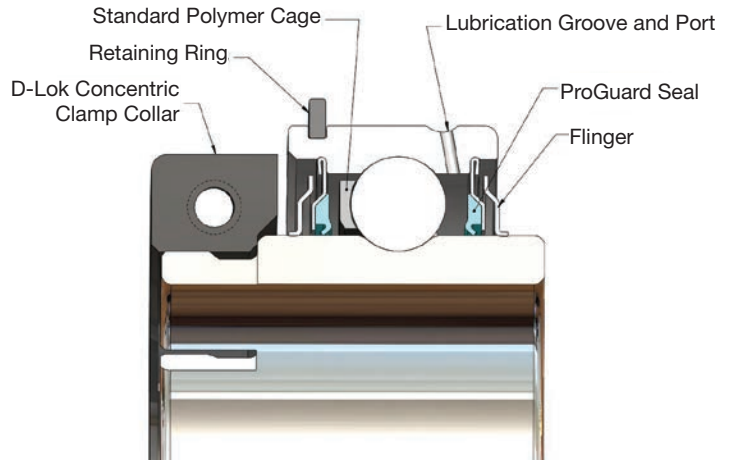
Series	Shaft Sizes	Standard		A	C	D	G	H	I	J	K	L	M	N Screw	P	W	Y	Z	Capacities (lb.)	
		Part No.	Description																Static	Dynamic
204	3/4	128870	INS-ER-DL-012	1.292	0.719	1.85	2.064	0.483	0.042	0.171	0.093	1.704	0.438	#8-32	1.23	0.5	0.792	1.115	1482	2915
	7/8	128871	INS-ER-DL-014																	
205	15/16	128872	INS-ER-DL-015	1.437	0.75	2.047	2.265	0.557	0.042	0.149	0.186	1.986	0.5	#10-32	1.342	0.561	0.876	1.323	1769	3153
	1	128873	INS-ER-DL-100																	
206	1 1/8	128874	INS-ER-DL-102	1.56	0.831	2.441	2.654	0.679	0.065	0.22	0.186	2.216	0.5	#10-32	1.52	0.58	0.98	1.571	2538	4377
	1 3/16	128875	INS-ER-DL-103																	
	1 1/4	128876	INS-ER-DL-104S																	
	30M	076738	INS-ER-DL-30M											M5 X 2						
207	1 1/4	128877	INS-ER-DL-104	1.75	0.92	2.835	3.08	0.741	0.065	0.22	0.219	2.692	0.6	#1/4-28	1.713	0.67	1.08	1.842	3461	5778
	1 3/8	128878	INS-ER-DL-106																	
	1 7/16	128879	INS-ER-DL-107																	
208	1 1/2	128880	INS-ER-DL-108	2.011	1.093	3.149	3.395	0.896	0.065	0.25	0.203	2.737	0.6	#1/4-28	1.938	0.75	1.261	2.052	4475	7342
	40M	074587	INS-ER-DL-40M											M6 X 2						
209	1 5/8	128881	INS-ER-DL-110L	2.011	1.093	3.347	3.592	0.896	0.065	0.25	0.203	2.987	0.6	#1/4-28	1.938	0.75	1.261	2.224	4906	7887
	1 11/16	128882	INS-ER-DL-111																	
	1 3/4	128883	INS-ER-DL-112																	
210	1 15/16	128884	INS-ER-DL-115	2.011	1.125	3.543	3.788	0.802	0.095	0.2	0.188	3.237	0.6	#1/4-28	1.938	0.75	1.261	2.429	5213	7890
	2	128885	INS-ER-DL-200																	
211	2	128886	INS-ER-DL-200L	2.25	1.187	3.937	4.182	0.959	0.095	0.3	0.282	3.686	0.728	#5/16-24	2.223	0.875	1.375	2.715	6588	9754
	2 3/16	128887	INS-ER-DL-203																	
212	2 7/16	079676	INS-ER-DL-207	2.375	1.25	4.331	4.576	1.021	0.095	0.3	0.275	4.109	0.728	#5/16-24	2.312	0.9	1.475	2.966	8100	11797

ER Series Ball Bearings Seal Configurations

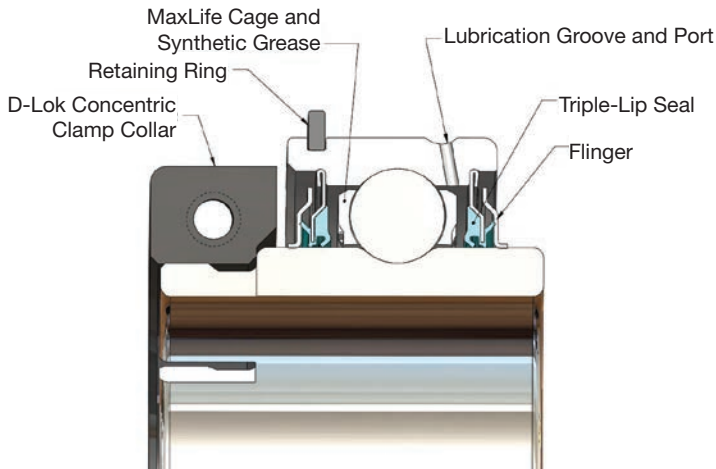
All seal packages shown are available in both set screw and D-Lok offerings.



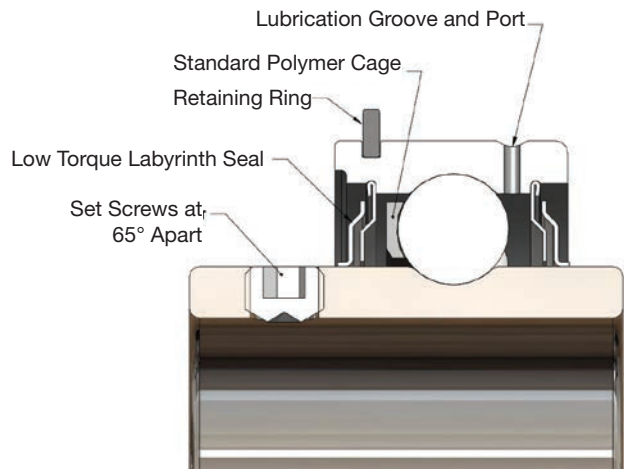
ER-SC Set Screw Ball Bearing with ProGuard Plus Seal



ER-DL D-Lok Ball Bearing with ProGuard Plus Seal



ER-DL D-Lok Ball Bearing with Triple Lip Seal and Flinger



ER-SC Set Screw Ball Bearing Labyrinth Seal



Baldor Electric Company • P.O. Box 2400, Fort Smith, AR 72902-2400 U.S.A. • Ph: (1) 479.646.4711

Baldor - Dodge

6040 Ponders Court • Greenville, SC 29615-4617 U.S.A. • Ph: (1) 864.297.4800

www.baldor.com