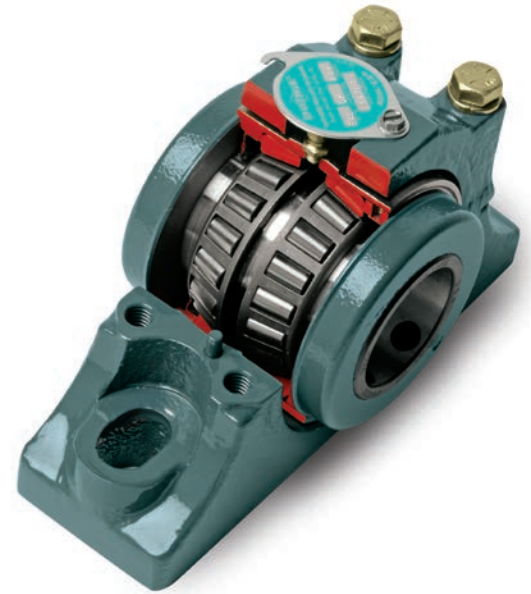


## Baldor•Dodge Type EXL Bearing

The Baldor•Dodge Type EXL bearing extends the life of mounted bearings by providing superior sealing, misalignment and expansion capability as well as the highest load ratings in the industry. Additionally, the split ductile iron housings are dimensionally interchangeable with all “Type E” dimensioned products.

### Standard Features:

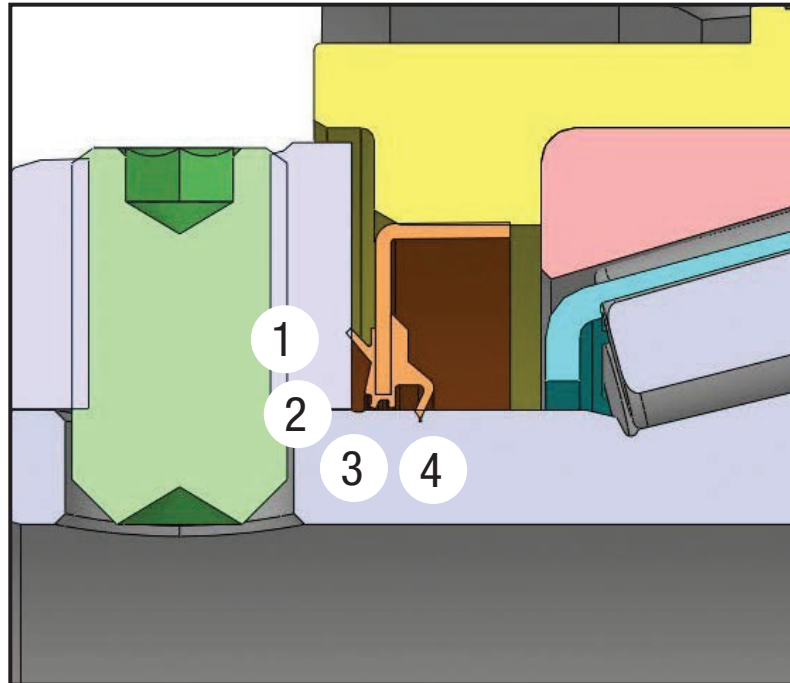
- Industry standard “Type E” mounting dimensions for interchangeability
- Expansion capability in both pillow block and flange housing
- Available in split pillow blocks and 4-bolt flanges
- Bore sizes available from 1-3/16" to 5" - for pillow block and from 1-3/16" to 4" for 4 bolts flanges
- Replaceable inner bearing unit for ease of maintenance
- XTS-triple lip seal provides extended life in harsh environments
- High strength ductile iron housings help eliminate cracks due to high shock loads
- +/-4 degrees misalignment capability for pillow block and +/-3 degrees misalignment for flange bearings simplifies the alignment process
- Drop in replacement for the Sealmaster “RPB” and “RFB” product



# Type EXL Sealing Xtra Tough Sealing

## Importance of Sealing:

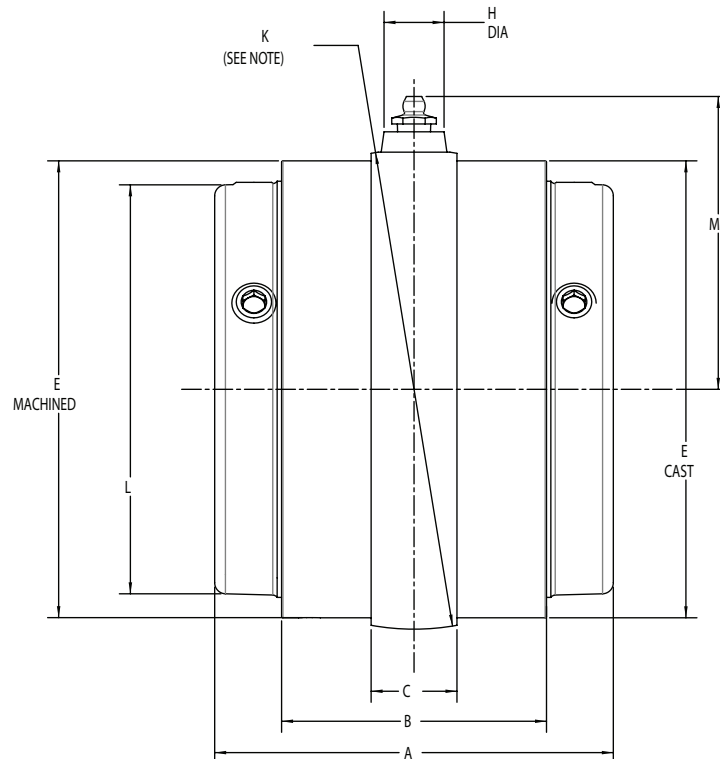
- 80% of mounted bearing failures in the industry involve liquid or solid contamination or lubrication related problems
- Obstructs contaminant entry
- Retains essential lubrication
- Increases the service life of the bearing



## XTS Sealing System

- Standard on all Type EXL Bearings
  - Proven performance in tough environments
  - More effective than felt or single lip seals
1. Collar-riding seal lip provides the first level of defense against contaminants
  2. Trash guard protects inner seals
  3. Primary contact seal protects internal components and helps retain grease
  4. Contact seal for grease retention and secondary trash guard for increased protection

# Type EXL S-1 UNIT

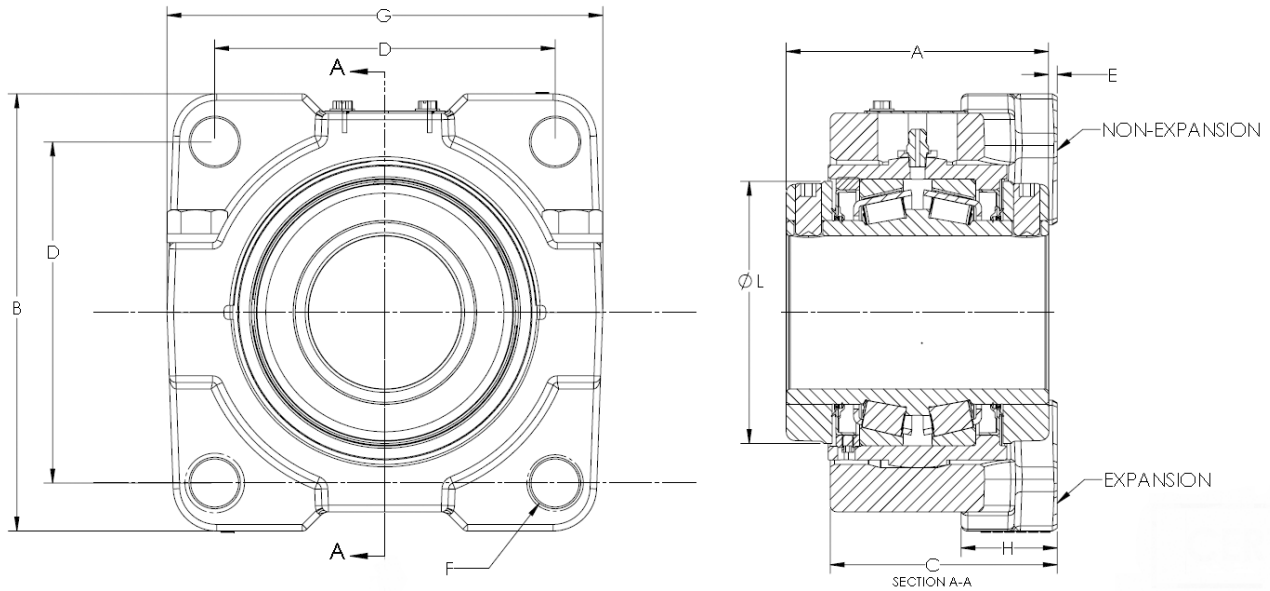


Shaft Size	Part Number	Part Name	Weight lbs (Approx.)	A	B	C	E	K *	L	M
1-3/16	<b>077192</b>	S1U-EXL-103R	3							
1-1/4	<b>077193</b>	S1U-EXL-104R	3	2.75	1.88	0.56	2.51	2.6370	2.25	1.66
1-3/8	<b>077194</b>	S1U-EXL-106R	4							
1-7/16	<b>077195</b>	S1U-EXL-107R	4	3.00	2.06	0.62	3.03	3.2000	2.75	1.94
1-1/2	<b>077196</b>	S1U-EXL-108R	6							
1-5/8	<b>077197</b>	S1U-EXL-110R	6	3.38	2.31	0.75	3.49	3.6920	3.19	2.19
1-11/16	<b>077198</b>	S1U-EXL-111R	6							
1-3/4	<b>077199</b>	S1U-EXL-112R	7							
1-7/8	<b>077200</b>	S1U-EXL-114R	7							
1-15/16	<b>077201</b>	S1U-EXL-115R	7	3.50	2.44	0.82	3.75	3.9650	3.44	2.38
2	<b>077202</b>	S1U-EXL-200R	7							
2-3/16	<b>077203</b>	S1U-EXL-203R	9	3.75	2.56	0.84	4.22	4.4380	3.75	2.61
2-1/4	<b>077204</b>	S1U-EXL-204R	11							
2-7/16	<b>077205</b>	S1U-EXL-207R	11	4.00	2.75	0.85	4.56	4.7810	4.06	3.04
2-1/2	<b>077206</b>	S1U-EXL-208R	11							
2-11/16	<b>077207</b>	S1U-EXL-211R	16							
2-3/4	<b>077208</b>	S1U-EXL-212R	16							
2-15/16	<b>077209</b>	S1U-EXL-215R	16	4.50	3.00	0.98	5.17	5.4325	4.72	3.37
3	<b>077210</b>	S1U-EXL-300R	16							
3-3/16	<b>077211</b>	S1U-EXL-303R	30							
3-1/4	<b>077212</b>	S1U-EXL-304R	30							
3-7/16	<b>077213</b>	S1U-EXL-307R	30	5.00	3.50	1.12	6.30	6.5940	5.50	3.95
3-1/2	<b>077214</b>	S1U-EXL-308R	30							
3-15/16	<b>077215</b>	S1U-EXL-315R	42							
4	<b>077216</b>	S1U-EXL-400R	42	6.25	4.50	1.56	6.84	7.2640	6.00	4.28
4-7/16	<b>077217</b>	S1U-EXL-407R	56							
4-1/2	<b>077218</b>	S1U-EXL-408R	56	6.75	4.63	1.63	7.56	8.0000	6.45	4.65
4-15/16	<b>077219</b>	S1U-EXL-415R	81							
5	<b>077220</b>	S1U-EXL-500R	81	7.25	5.13	1.87	8.79	9.2900	7.45	5.30

\* ±.0005

# Type EXL Flange

## 4-Bolt Base



Shaft Size	Non-Expansion Part No.		Expansion Part No.	
1-3/16	<b>077301</b>	F4B-EXL-103R	<b>077326</b>	F4B-EXL-103RE
1-1/4	<b>077302</b>	F4B-EXL-104R	<b>077327</b>	F4B-EXL-104RE
1-3/8	<b>077303</b>	F4B-EXL-106R	<b>077328</b>	F4B-EXL-106RE
1-7/16	<b>077304</b>	F4B-EXL-107R	<b>077329</b>	F4B-EXL-107RE
1-1/2	<b>077305</b>	F4B-EXL-108R	<b>077330</b>	F4B-EXL-108RE
1-5/8	<b>077306</b>	F4B-EXL-110R	<b>077331</b>	F4B-EXL-110RE
1-11/16	<b>077307</b>	F4B-EXL-111R	<b>077332</b>	F4B-EXL-111RE
1-3/4	<b>077308</b>	F4B-EXL-112R	<b>077333</b>	F4B-EXL-112RE
1-7/8	<b>077309</b>	F4B-EXL-114R	<b>077334</b>	F4B-EXL-114RE
1-15/16	<b>077310</b>	F4B-EXL-115R	<b>077335</b>	F4B-EXL-115RE
2	<b>077311</b>	F4B-EXL-200R	<b>077336</b>	F4B-EXL-200RE
2-3/16	<b>077312</b>	F4B-EXL-203R	<b>077337</b>	F4B-EXL-203RE
2-1/4	<b>077313</b>	F4B-EXL-204R	<b>077338</b>	F4B-EXL-204RE
2-7/16	<b>077314</b>	F4B-EXL-207R	<b>077339</b>	F4B-EXL-207RE
2-1/2	<b>077315</b>	F4B-EXL-208R	<b>077340</b>	F4B-EXL-208RE
2-11/16	<b>077316</b>	F4B-EXL-211R	<b>077341</b>	F4B-EXL-211RE
2-3/4	<b>077317</b>	F4B-EXL-212R	<b>077342</b>	F4B-EXL-212RE
2-15/16	<b>077318</b>	F4B-EXL-215R	<b>077343</b>	F4B-EXL-215RE
3	<b>077319</b>	F4B-EXL-300R	<b>077344</b>	F4B-EXL-300RE
3-3/16	<b>077320</b>	F4B-EXL-303R	<b>077345</b>	F4B-EXL-303RE
3-1/4	<b>077321</b>	F4B-EXL-304R	<b>077346</b>	F4B-EXL-304RE
3-7/16	<b>077322</b>	F4B-EXL-307R	<b>077347</b>	F4B-EXL-307RE
3-1/2	<b>077323</b>	F4B-EXL-308R	<b>077348</b>	F4B-EXL-308RE
3-15/16	<b>077324</b>	F4B-EXL-315R	<b>077349</b>	F4B-EXL-315RE
4	<b>077325</b>	F4B-EXL-400R	<b>077350</b>	F4B-EXL-400RE

\* Total expansion (Expansion Bearings Only)

# Type EXL Flange

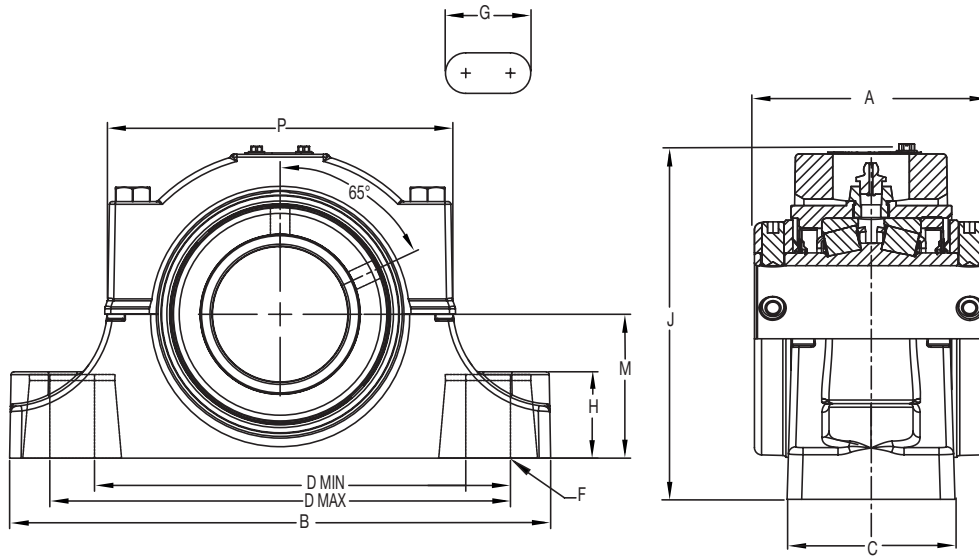
## 4-Bolt Base

Bearing Series	Shaft Size (in)	Weight lbs (Approx.)	A	B	C	D	E	F (BOLT SIZE)	G	H	L	EXP*
103	<b>1-3/16</b>	6	2.75	4.00	2.31	2.88	0.06	3/8	3.98	1.00	2.25	0.20
104	<b>1-1/4</b>											
106	<b>1-3/8</b>	8	3.00	4.63	2.56	3.50	0.06	1/2	4.61	1.00	2.75	0.21
107	<b>1-7/16</b>											
108	<b>1-1/2</b>	13	3.38	5.38	2.93	4.13	0.12	1/2	5.36	1.19	3.19	0.20
110	<b>1-5/8</b>											
111	<b>1-11/16</b>											
112	<b>1-3/4</b>											
114	<b>1-7/8</b>	15	3.50	5.63	3.06	4.38	0.13	1/2	5.60	1.19	3.44	0.20
115	<b>1-15/16</b>											
200	<b>2</b>											
203	<b>2-3/16</b>											
204	<b>2-1/4</b>	19	3.75	6.25	3.25	4.88	0.13	5/8	6.23	1.38	3.75	0.26
207	<b>2-7/16</b>											
208	<b>2-1/2</b>											
211	<b>2-11/16</b>	24	4.00	6.88	3.56	5.38	0.19	5/8	6.86	1.50	4.06	0.20
212	<b>2-3/4</b>											
215	<b>2-15/16</b>											
300	<b>3</b>											
303	<b>3-3/16</b>											
304	<b>3-1/4</b>	35	4.50	7.75	3.93	6.00	0.19	3/4	7.73	1.62	4.72	0.20
307	<b>3-7/16</b>											
308	<b>3-1/2</b>											
315	<b>3-15/16</b>											
400	<b>4</b>	61	5.00	9.25	4.50	7.00	0.25	3/4	9.22	1.87	5.50	0.35
303	<b>3-3/16</b>											
304	<b>3-1/4</b>	90	6.25	10.25	5.62	7.75	0.25	7/8	10.19	2.12	6.00	0.37
307	<b>3-7/16</b>											
308	<b>3-1/2</b>											
315	<b>3-15/16</b>											

\* Total expansion (Expansion Bearings Only)

# Type EXL Pillow Block

## 2-Bolt Base



Shaft Size	Non-Expansion Part No.	Part Name	Expansion Part No.	Part Name
1-3/16	<b>077221</b>	P2B-EXL-103R	<b>077244</b>	P2B-EXL-103RE
1-1/4	<b>077222</b>	P2B-EXL-104R	<b>077245</b>	P2B-EXL-104RE
1-3/8	<b>077223</b>	P2B-EXL-106R	<b>077246</b>	P2B-EXL-106RE
1-7/16	<b>077224</b>	P2B-EXL-107R	<b>077247</b>	P2B-EXL-107RE
1-1/2	<b>077225</b>	P2B-EXL-108R	<b>077248</b>	P2B-EXL-108RE
1-5/8	<b>077226</b>	P2B-EXL-110R	<b>077249</b>	P2B-EXL-110RE
1-11/16	<b>077227</b>	P2B-EXL-111R	<b>077250</b>	P2B-EXL-111RE
1-3/4	<b>077228</b>	P2B-EXL-112R	<b>077251</b>	P2B-EXL-112RE
1-7/8	<b>077229</b>	P2B-EXL-114R	<b>077252</b>	P2B-EXL-114RE
1-15/16	<b>077230</b>	P2B-EXL-115R	<b>077253</b>	P2B-EXL-115RE
2	<b>077231</b>	P2B-EXL-200R	<b>077254</b>	P2B-EXL-200RE
2-3/16	<b>077232</b>	P2B-EXL-203R	<b>077255</b>	P2B-EXL-203RE
2-1/4	<b>077233</b>	P2B-EXL-204R	<b>077256</b>	P2B-EXL-204RE
2-7/16	<b>077234</b>	P2B-EXL-207R	<b>077257</b>	P2B-EXL-207RE
2-1/2	<b>077235</b>	P2B-EXL-208R	<b>077258</b>	P2B-EXL-208RE
2-11/16	<b>077236</b>	P2B-EXL-211R	<b>077259</b>	P2B-EXL-211RE
2-3/4	<b>077237</b>	P2B-EXL-212R	<b>077260</b>	P2B-EXL-212RE
2-15/16	<b>077238</b>	P2B-EXL-215R	<b>077261</b>	P2B-EXL-215RE
3	<b>077239</b>	P2B-EXL-300R	<b>077262</b>	P2B-EXL-300RE
3-3/16	<b>077240</b>	P2B-EXL-303R	<b>077263</b>	P2B-EXL-303RE
3-1/4	<b>077241</b>	P2B-EXL-304R	<b>077264</b>	P2B-EXL-304RE
3-7/16	<b>077242</b>	P2B-EXL-307R	<b>077265</b>	P2B-EXL-307RE
3-1/2	<b>077243</b>	P2B-EXL-308R	<b>077266</b>	P2B-EXL-308RE

# Type EXL Pillow Block

## 2-Bolt Base

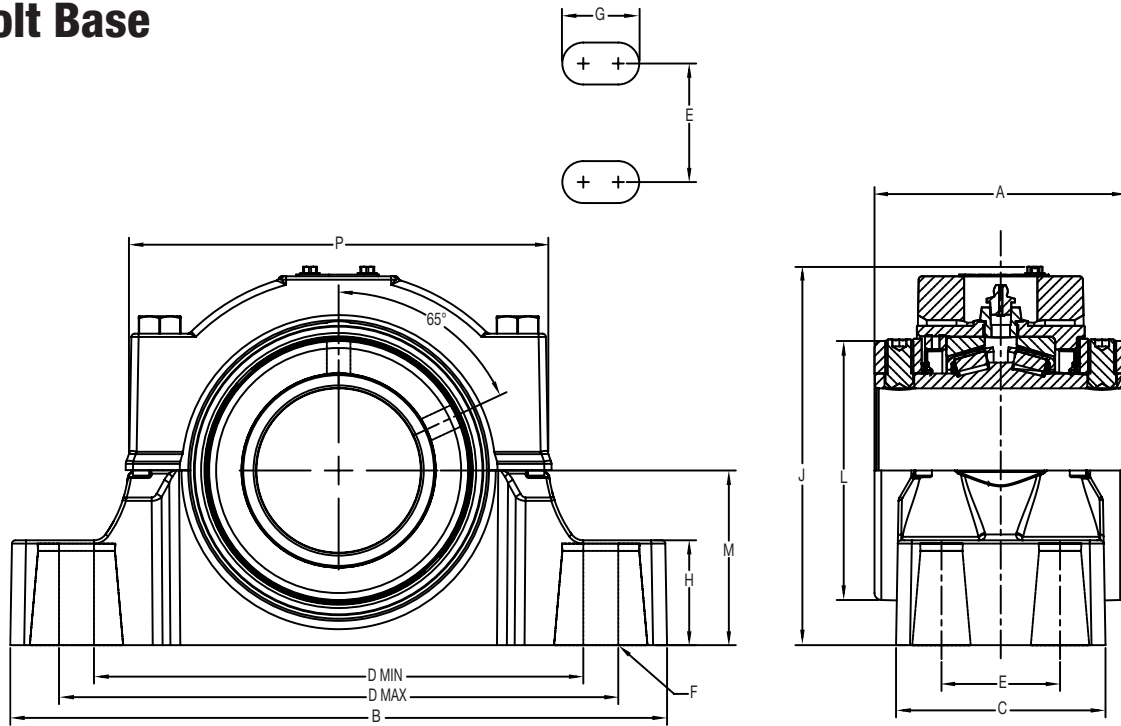
Shaft Size	Weight lbs (Approx)	A	B	C	D		F Bolt Dia.
					Min	Max	
1-3/16	10	2.75	6.25	1.88	4.56	4.94	1/2
1-1/4	10						
1-3/8	12	3.00	7.25	2.19	5.31	5.94	1/2
1-7/16	12						
1-1/2	15	3.38	7.75	2.37	5.56	6.44	1/2
1-5/8	15						
1-11/16	15						
1-3/4	19	3.50	8.88	2.54	6.31	7.19	5/8
1-7/8	19						
1-15/16	19						
2	19						
2-3/16	24	3.75	9.62	2.63	6.69	7.94	5/8
2-1/4	29						
2-7/16	29	4.00	10.38	2.88	6.94	8.69	5/8
2-1/2	29						
2-11/16	43	4.50	11.75	3.32	8.06	10.00	3/4
2-3/4	43						
2-15/16	43						
3	43						
3-3/16	73	5.00	13.75	4.00	10.12	11.75	7/8
3-1/4	73						
3-7/16	73						
3-1/2	73						

Shaft Size	Weight lbs (Approx)	G	H	J	L	M	P	EXP *
1-3/16	10	0.75	0.88	3.51	2.25	1.50	4.06	5/16
1-1/4	10							
1-3/8	12	0.94	1.13	4.17	2.75	1.88	4.63	5/16
1-7/16	12							
1-1/2	15	1.07	1.25	4.69	3.19	2.13	5.13	5/16
1-5/8	15							
1-11/16	15							
1-3/4	19	0.19	1.31	4.99	3.44	2.25	5.56	9/32
1-7/8	19							
1-15/16	19							
2	19							
2-3/16	24	1.37	1.50	5.42	3.75	2.50	6.00	9/32
2-1/4	29							
2-7/16	29	1.63	1.63	6.08	4.06	2.75	6.41	9/32
2-1/2	29							
2-11/16	43	1.85	1.88	6.77	4.72	3.13	7.50	9/32
2-3/4	43							
2-15/16	43							
3	43							
3-3/16	73	1.82	2.25	7.97	5.50	3.75	9.31	9/32
3-1/4	73							
3-7/16	73							
3-1/2	73							

\* EXP. Total Expansion Divided Equally On Both Sides Of Bearing (Expansion Bearing Only)

# Type EXL Pillow Block

## 4-Bolt Base



Shaft Size	Non-Expansion Part No.	Part Name	Expansion Part No.	Part Name
2-1/4	<b>077267</b>	P4B-EXL-204R	<b>077284</b>	P4B-EXL-204RE
2-7/16	<b>077268</b>	P4B-EXL-207R	<b>077285</b>	P4B-EXL-207RE
2-1/2	<b>077269</b>	P4B-EXL-208R	<b>077286</b>	P4B-EXL-208RE
2-11/16	<b>077270</b>	P4B-EXL-211R	<b>077287</b>	P4B-EXL-211RE
2-3/4	<b>077271</b>	P4B-EXL-212R	<b>077288</b>	P4B-EXL-212RE
2-15/16	<b>077272</b>	P4B-EXL-215R	<b>077289</b>	P4B-EXL-215RE
3	<b>077273</b>	P4B-EXL-300R	<b>077290</b>	P4B-EXL-300RE
3-3/16	<b>077274</b>	P4B-EXL-303R	<b>077291</b>	P4B-EXL-303RE
3-1/4	<b>077275</b>	P4B-EXL-304R	<b>077292</b>	P4B-EXL-304RE
3-7/16	<b>077276</b>	P4B-EXL-307R	<b>077293</b>	P4B-EXL-307RE
3-1/2	<b>077277</b>	P4B-EXL-308R	<b>077294</b>	P4B-EXL-308RE
3-15/16	<b>077278</b>	P4B-EXL-315R	<b>077295</b>	P4B-EXL-315RE
4	<b>077279</b>	P4B-EXL-400R	<b>077296</b>	P4B-EXL-400RE
4-7/16	<b>077280</b>	P4B-EXL-407R	<b>077297</b>	P4B-EXL-407RE
4-1/2	<b>077281</b>	P4B-EXL-408R	<b>077298</b>	P4B-EXL-408RE
4-15/16	<b>077282</b>	P4B-EXL-415R	<b>077299</b>	P4B-EXL-415RE
5	<b>077283</b>	P4B-EXL-500R	<b>077300</b>	P4B-EXL-500RE



# Type EXL Pillow Block

## 4-Bolt Base

Shaft Size	Weight lbs (Approx.)	A	B	C	D		E	F Bolts Dia.
					Min	Max		
2-1/4	29	4.00	10.38	3.50	7.75	8.25	1.88	5/8
2-7/16	29							
2-1/2	29							
2-11/16	42	4.50	11.75	3.75	8.75	10.00	2.12	5/8
2-3/4	42							
2-15/16	42							
3	42							
3-3/16	73	5.00	13.75	4.50	10.56	11.75	2.38	3/4
3-1/4	73							
3-7/16	73							
3-1/2	73							
3-15/16	109	6.25	15.25	4.74	11.00	13.00	2.25	3/4
4	109							
4-7/16	154	6.75	16.50	5.08	12.00	13.88	2.50	3/4
4-1/2	154							
4-15/16	192	7.25	18.50	5.66	13.50	15.88	2.88	3/4
5	192							

Shaft Size	Weight lbs (Approx.)	G	H	J	L	M	P	EXP *
2-1/4	29	1.25	1.63	6.08	4.06	2.75	6.41	9/32
2-7/16	29							
2-1/2	29							
2-11/16	42	1.38	1.88	6.77	4.72	3.13	7.50	9/32
2-3/4	42							
2-15/16	42							
3	42							
3-3/16	73	1.48	2.25	7.97	5.50	3.75	9.31	9/32
3-1/4	73							
3-7/16	73							
3-1/2	73							
3-15/16	109	1.88	2.44	8.81	6.00	4.25	10.08	9/32
4	109							
4-7/16	154	1.82	2.75	9.79	6.45	4.75	11.08	9/32
4-1/2	154							
4-15/16	192	2.23	3.00	11.36	7.45	5.50	12.71	9/32
5	192							

\* EXP - Total Expansion Divided Equally On Both Sides Of Bearing (Expansion Bearings Only)

# Type EXL Competitor Interchange

## 2-Bolt Pillow Blocks

Dodge PN	Description	Sealmaster RPB
077221	P2B-EXL-103R	RPB-103-2
077244	P2B-EXL-103RE	N/A
077222	P2B-EXL-104R	RPB-104-2
077245	P2B-EXL-104RE	N/A
077223	P2B-EXL-106R	RPB-106-2
077246	P2B-EXL-106RE	N/A
077224	P2B-EXL-107R	RPB-107-2
077247	P2B-EXL-107RE	N/A
077225	P2B-EXL-108R	RPB-108-2
077248	P2B-EXL-108RE	N/A
077226	P2B-EXL-110R	RPB-110-2
077249	P2B-EXL-110RE	N/A
077227	P2B-EXL-111R	RPB-111-2
077250	P2B-EXL-111RE	N/A
077228	P2B-EXL-112R	RPB-112-2
077251	P2B-EXL-112RE	ERP-112-2
077229	P2B-EXL-114R	N/A
077252	P2B-EXL-114RE	N/A
077230	P2B-EXL-115R	RPB-115-2
077253	P2B-EXL-115RE	ERP-115-2
077231	P2B-EXL-200R	RPB-200-2
077254	P2B-EXL-200RE	ERP-200-2
077232	P2B-EXL-203R	RPB-203-2
077255	P2B-EXL-203RE	ERP-203-2
077233	P2B-EXL-204R	RPB-204-2
077256	P2B-EXL-204RE	ERP-204-2
077234	P2B-EXL-207R	RPB-207-2
077257	P2B-EXL-207RE	ERP-207-2
077235	P2B-EXL-208R	RPB-208-2
077258	P2B-EXL-208RE	ERP-208-2
077236	P2B-EXL-211R	RPB-211-2
077259	P2B-EXL-211RE	ERP-211-2
077237	P2B-EXL-212R	RPB-212-2
077260	P2B-EXL-212RE	ERP-212-2
077238	P2B-EXL-215R	RPB-215-2
077261	P2B-EXL-215RE	ERP-215-2
077239	P2B-EXL-300R	RPB-300-2
077262	P2B-EXL-300RE	ERP-300-2
077240	P2B-EXL-303R	RPB-303-2
077263	P2B-EXL-303RE	ERP-303-2
077241	P2B-EXL-304R	N/A
077264	P2B-EXL-304RE	N/A
077242	P2B-EXL-307R	RPB-307-2
077265	P2B-EXL-307RE	ERP-307-2
077243	P2B-EXL-308R	RPB-308-2
077266	P2B-EXL-308RE	ERP-308-2

## 4-Bolt Pillow Blocks

Dodge PN	Description	Sealmaster RPB
077267	P4B-EXL-204R	RPB-204-4
077284	P4B-EXL-204RE	ERP-204-4
077268	P4B-EXL-207R	RPB-207-4
077285	P4B-EXL-207RE	N/A
077269	P4B-EXL-208R	RPB-208-4
077286	P4B-EXL-208RE	N/A
077270	P4B-EXL-211R	RPB-211-4
077287	P4B-EXL-211RE	N/A
077271	P4B-EXL-212R	RPB-212-4
077288	P4B-EXL-212RE	N/A
077272	P4B-EXL-215R	RPB-215-4
077289	P4B-EXL-215RE	N/A
077273	P4B-EXL-300R	RPB-300-4
077290	P4B-EXL-300RE	N/A
077274	P4B-EXL-303R	RPB-303-4
077291	P4B-EXL-303RE	N/A
077275	P4B-EXL-304R	N/A
077292	P4B-EXL-304RE	N/A
077276	P4B-EXL-307R	RPB-307-4
077293	P4B-EXL-307RE	N/A
077277	P4B-EXL-308R	RPB-308-4
077294	P4B-EXL-308RE	N/A
077278	P4B-EXL-315R	RPB-315-4
077295	P4B-EXL-315RE	ERP-315-4
077279	P4B-EXL-400R	RPB-400-4
077296	P4B-EXL-400RE	ERP-400-4
077280	P4B-EXL-407R	RPB-407-4
077297	P4B-EXL-407RE	ERP-407-4
077281	P4B-EXL-408R	RPB-408-4
077298	P4B-EXL-408RE	ERP-408-4
077282	P4B-EXL-415R	RPB-415-4
077299	P4B-EXL-415RE	ERP-415-4
077283	P4B-EXL-500R	RPB-500-4
077300	P4B-EXL-500RE	ERP-500-4

"E" in Nomenclature Indicates Expansion Bearing

## 4-Bolt Flanges

Dodge PN	Description	Sealmaster RFB
077301	F4B-EXL-103R	RFB-103
077326	F4B-EXL-103RE	N/A
077302	F4B-EXL-104R	RFB-104
077327	F4B-EXL-104RE	N/A
077303	F4B-EXL-106R	N/A
077328	F4B-EXL-106RE	N/A
077304	F4B-EXL-107R	RFB-107
077329	F4B-EXL-107RE	N/A
077305	F4B-EXL-108R	RFB-108
077330	F4B-EXL-108RE	N/A
077306	F4B-EXL-110R	N/A
077331	F4B-EXL-110RE	N/A
077307	F4B-EXL-111R	RFB-111
077332	F4B-EXL-111RE	N/A
077308	F4B-EXL-112R	RFB-112
077333	F4B-EXL-112RE	N/A
077309	F4B-EXL-114R	N/A
077334	F4B-EXL-114RE	N/A
077310	F4B-EXL-115R	RFB-115
077335	F4B-EXL-115RE	N/A
077311	F4B-EXL-200R	RFB-200
077336	F4B-EXL-200RE	N/A
077312	F4B-EXL-203R	RFB-203
077337	F4B-EXL-203RE	N/A
077313	F4B-EXL-204R	RFB-204
077338	F4B-EXL-204RE	N/A
077314	F4B-EXL-207R	RFB-207
077339	F4B-EXL-207RE	N/A
077315	F4B-EXL-208R	RFB-208
077340	F4B-EXL-208RE	N/A
077316	F4B-EXL-211R	RFB-211
077341	F4B-EXL-211RE	N/A
077317	F4B-EXL-212R	RFB-212
077342	F4B-EXL-212RE	N/A
077318	F4B-EXL-215R	RFB-215
077343	F4B-EXL-215RE	N/A
077319	F4B-EXL-300R	RFB-300
077344	F4B-EXL-300RE	N/A
077320	F4B-EXL-303R	RFB-303
077345	F4B-EXL-303RE	N/A
077321	F4B-EXL-304R	N/A
077346	F4B-EXL-304RE	N/A
077322	F4B-EXL-307R	RFB-307
077347	F4B-EXL-307RE	N/A
077323	F4B-EXL-308R	RFB-308
077348	F4B-EXL-308RE	N/A
077324	F4B-EXL-315R	RFB-315
077349	F4B-EXL-315RE	N/A
077325	F4B-EXL-400R	N/A
077350	F4B-EXL-400RE	N/A

\*Expansion not available for RFB housing

**Notes:**



---

P.O. Box 2400, Fort Smith, AR 72902-2400 U.S.A., Ph: (1) 479.646.4711, Fax (1) 479.648.5792, International Fax (1) 479.648.5895

**Baldor - Dodge**

6040 Ponders Court, Greenville, SC 29615-4617 U.S.A., Ph: (1) 864.297.4800, Fax: (1) 864.281.2433

**[www.baldor.com](http://www.baldor.com)**