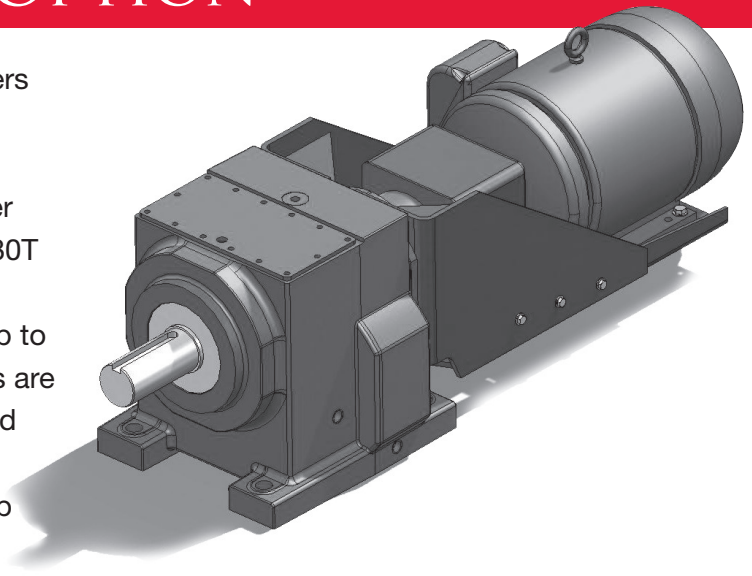


QUANTIS ILH REDUCER WITH SCOOP MOUNT OPTION



GEARING

Dodge Quantis ILH Scoop Mount Reducers are now available in three sizes, ILH88, ILH108, and ILH128. Larger ILH sizes available upon request. Motor horsepower options range from 140T frame up to a 280T frame dependent upon the ratings of the reducer. Available ratios range from 4:1 up to 300:1. Dodge flexible Para-Flex couplings are pre-selected and provided as the standard coupling offering with the Quantis ILH Scoop Mount product. Quantis ILH Scoop Mounts include the side plates, bottom motor mounting plate, Para-flex coupling, and coupling guard. Assembly of these components to the reducer is available.



Dodge Quantis ILH Reducer Features:

- Dodge Quantis product line offers a full line of modular gear drives engineered for flexibility and increased hp capability
- All Dodge Quantis reducers are filled with Mobilgear 600 XP 200 lubrication as standard
- Reducer housings are constructed of class 30 gray iron with cast internal ribbing for added strength
- Gearing is of single helical design and ground to provide an ellipsoid tooth form which eliminates tooth wearing and ensures proper gear mesh



ILH Seperate Reducer

Dodge Para-Flex Coupling Features:

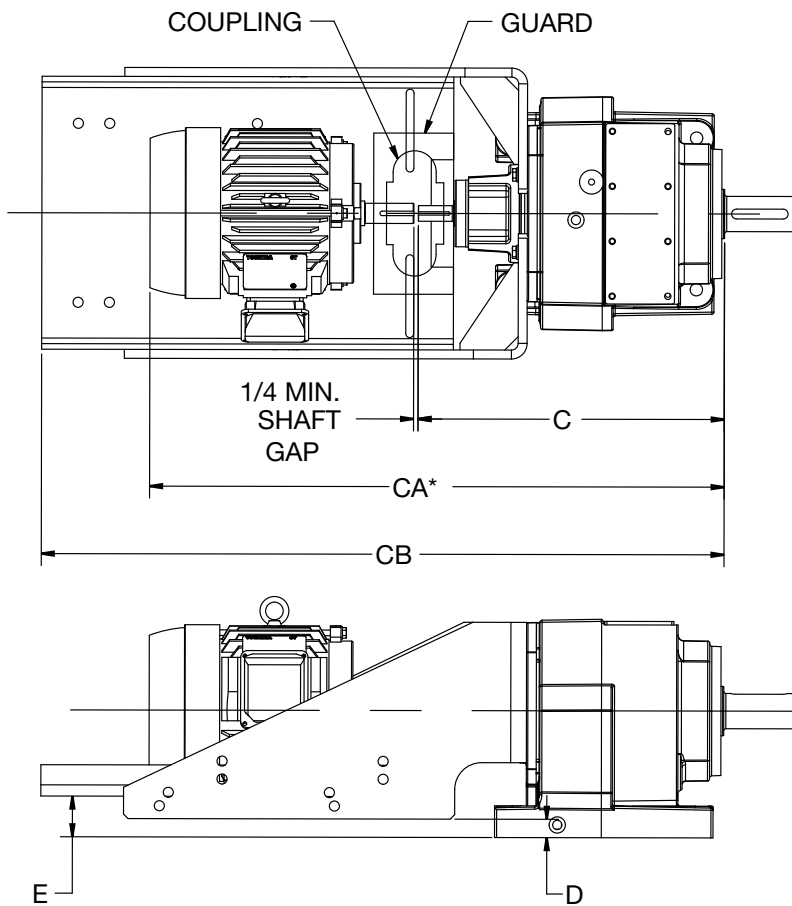
- Reinforced elements for longer life
- Superior shock load and vibration dampening
- Highest misalignment capability of any coupling
- Over 50 years of providing reliable solutions in many different applications



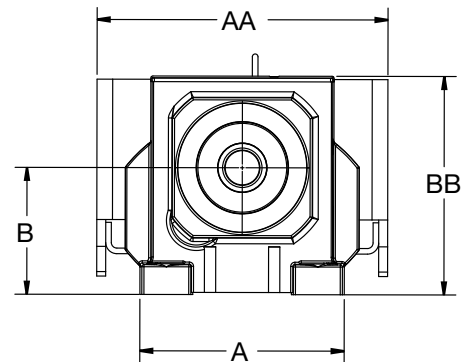
Para-Flex Coupling

BALDOR

Quantis ILH Scoop Mount Dimensions



CA* Dimensions are for reference only and will vary based on motor manufacturer and hp requirements.



ILH Scoop Mount Motor/Reducers

Quantis Size	Stage Reduction	NEMA Frame Size	IEC Frame Size	A	AA	B	BB	C	CA*	CB	D	E
88	2	140	90	11.42	16.25	7.09	12.21	17.17	30.66	38.2	1.27	3.24
	2	180	100	11.42	16.25	7.09	12.21	17.68	32.67	38.71	1.27	2.27
	2	210	132	11.42	16.25	7.09	12.21	20.94	39.48	42.72	1.27	1.52
	3	140	90	11.42	16.25	7.09	12.21	18.15	31.64	39.18	1.27	3.24
	3	180	100	11.42	16.25	7.09	12.21	18.78	33.77	39.81	1.27	2.27
	3	210	132	11.42	16.25	7.09	12.21	22.05	40.59	43.84	1.27	1.52
108	2	210	132	13.39	16.25	8.86	15.32	22.20	40.74	43.98	1.86	3.29
	2	250	160	13.39	16.25	8.86	15.32	23.98	49.55	44.53	1.86	2.25
	3	140	90	13.39	16.25	8.86	15.32	19.69	33.19	41.73	1.86	5.00
	3	180	100	13.39	16.25	8.86	15.32	20.31	35.30	41.34	1.86	4.05
	3	210	132	13.39	16.25	8.86	15.32	23.50	42.05	45.29	1.86	3.29
	3	250	160	13.39	16.25	8.86	15.32	25.12	50.69	45.67	1.86	2.25
128	2	210	132	15.75	19.63	9.84	17.13	24.29	42.83	45.17	2.09	4.28
	2	250	160	15.75	19.63	9.84	17.13	25.79	51.35	47.55	2.09	3.23
	2	280	180	15.75	19.63	9.84	17.13	26.73	54.50	48.20	2.09	2.44
	3	140	90	15.75	19.63	9.84	17.13	21.89	35.39	44.40	2.09	5.99
	3	180	100	15.75	19.63	9.84	17.13	22.52	37.52	44.03	2.09	5.03
	3	210	132	15.75	19.63	9.84	17.13	25.63	44.18	46.5	2.09	4.28
	3	250	160	15.75	19.63	9.84	17.13	27.24	52.79	48.99	2.09	3.23
	3	280	180	15.75	19.63	9.84	17.13	28.19	55.94	49.66	2.09	2.44



World Headquarters
P.O. Box 2400, Fort Smith, AR 72902-2400 U.S.A., Ph: (1) 479.646.4711, Fax (1) 479.648.5792, International Fax (1) 479.648.5895

Baldor - Dodge
6040 Ponders Court, Greenville, SC 29615-4617 U.S.A., Ph: (1) 864.297.4800, Fax: (1) 864.281.2433

www.baldor.com