



MTA REDUCER LUBRICATION INSTRUCTIONS

1. Before Operating, Fill Reducer With Oil. Fill to the proper level plug, as indicated in the diagram below.
2. Install Breather in Location Shown.

Approximate Oil Volume in Liters

REDUCER SIZE	REDUCER MOUNTING POSITION					
	HORIZONTAL			VERTICAL		
	A	B	C	D	E	F
MTA2115H	3- ³ / ₄	N/A	3- ¹ / ₂	6- ⁵ / ₈	5.0	5- ³ / ₈
MTA3203H	6.0	N/A	4- ¹ / ₈	9- ¹ / ₄	7.0	7- ¹ / ₈
MTA4207H	7- ⁷ / ₈	N/A	6- ³ / ₈	12- ³ / ₈	8- ⁷ / ₈	9- ¹ / ₈
MTA5215H	13- ¹ / ₄	N/A	9- ⁵ / ₈	20.0	15- ¹ / ₈	16.0
MTA6307H	17- ³ / ₈	N/A	14- ¹ / ₂	28- ¹ / ₂	22- ¹ / ₄	23- ¹ / ₂
MTA7315H	23- ⁵ / ₈	N/A	18- ¹ / ₂	36- ¹ / ₂	22.0	25- ¹ / ₈
MTA8407H	27- ⁵ / ₈	N/A	21- ³ / ₈	49- ¹ / ₄	30.0	30.0

IMPORTANT INFORMATION

1. Before Operating, Fill Reducer With Oil As Follows.
2. Install Breather in Location Shown.

ISO Grades for Ambient Temperatures of 50°F - 125°F

Output RPM	MTA Reducer Size						
	MTA2	MTA3	MTA4	MTA5	MTA6	MTA7	MTA8
151-200	320	220	220	220	220	220	220
126-150	320	220	220	220	220	220	220
101-125	320	320	220	220	220	220	220
81-100	320	320	320	220	220	220	220
41-80	320	320	320	220	220	220	220
11-40	320	320	320	320	320	320	320
1-10	320	320	320	320	320	320	320

Use Industrial Oils with R&O Inhibitors and Antifoam Additives.

Below -23°F call Application Engineering.

20°F to -22°F use Mobil SHC627.

Above 125°F use Mobil SHC634.

ISO Grades for Ambient Temperatures of 15°F - 60°F

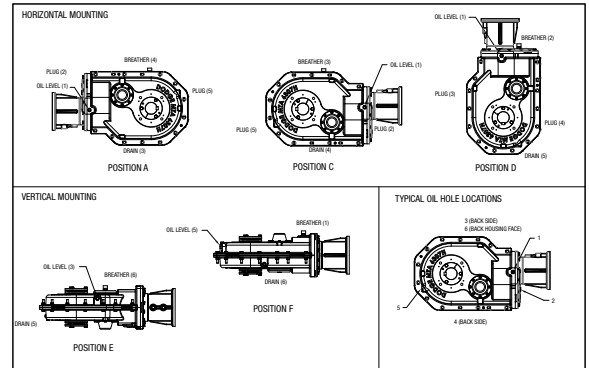
Output RPM	MTA Reducer Size						
	MTA2	MTA3	MTA4	MTA5	MTA6	MTA7	MTA8
151-200	220	150	150	150	150	150	150
126-150	220	150	150	150	150	150	150
101-125	220	220	150	150	150	150	150
81-100	220	220	220	150	150	150	150
41-80	220	220	220	150	150	150	150
11-40	220	220	220	220	220	220	220
1-10	220	220	220	220	220	220	220



BALDOR
A MEMBER OF THE ABB GROUP

Baldor Electric Company
P.O. Box 2400, Fort Smith, AR 72902-2400

Reducer Mounting Positions



Vent And Plug Locations

Mounting Position	Vent And Plug Locations For All Speeds					
	1	2	3	4	5	6
A	OIL LEVEL	PLUG	DRAIN	BREATHER	PLUG	PLUG
C	OIL LEVEL	PLUG	BREATHER	DRAIN	PLUG	PLUG
D	OIL LEVEL	BREATHER	PLUG	PLUG	DRAIN	PLUG
E	PLUG	PLUG	OIL LEVEL	PLUG	DRAIN	BREATHER
F	BREATHER	PLUG	PLUG	PLUG	OIL LEVEL	DRAIN

NOTE: Below 15 RPM Output Speed, Oil Level Must Be Adjusted To Reach The Highest Oil Level Plug.

NOTE: For position D - it is recommended to use "Position-D Breather Kit" Part number: 472300

Approximate Oil Volume in Quarts

REDUCER SIZE	REDUCER MOUNTING POSITION					
	HORIZONTAL			VERTICAL		
	A	B	C	D	E	F
MTA2115H	4- ¹ / ₄	N/A	3- ⁵ / ₈	7.0	5- ⁵ / ₈	5- ⁵ / ₈
MTA3203H	6- ³ / ₈	N/A	4- ³ / ₈	9- ³ / ₄	7- ³ / ₈	7- ⁵ / ₈
MTA4207H	8- ¹ / ₄	N/A	6- ³ / ₄	13- ¹ / ₈	9- ¹ / ₄	9- ⁵ / ₈
MTA5215H	14.0	N/A	10- ¹ / ₈	21.0	16.0	16- ⁷ / ₈
MTA6307H	18- ³ / ₈	N/A	15- ³ / ₈	30- ¹ / ₈	23- ¹ / ₂	24- ⁷ / ₈
MTA7315H	25.0	N/A	19- ⁵ / ₈	38- ¹ / ₄	23- ¹ / ₄	26- ¹ / ₂
MTA8407H	29- ¹ / ₈	N/A	22- ⁵ / ₈	52.0	31- ³ / ₄	31- ³ / ₄